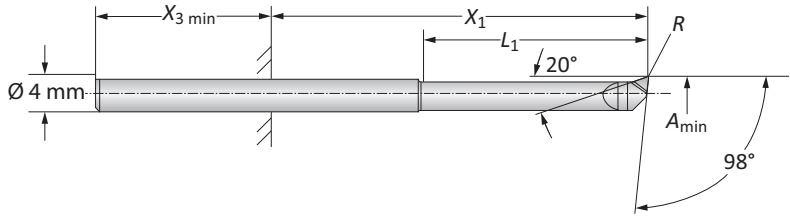


Mini Boring Bars

WHC126 Coated Carbide | Diameter Range: 0.40 mm - 3.00 mm

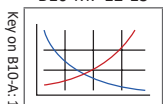


Mini Boring Bars

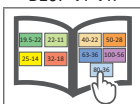
	Boring Range		Boring Bar*			Part No.
	A_{min}	X_1	$X_{3 \text{ min}}$	L_1	R	
m	0.40	3.00 - 17.00	25.00	2.00	0.03	081401WHC126
	0.60	4.00 - 18.00	25.00	3.00	0.04	081402WHC126
	0.80	5.00 - 19.00	25.00	4.00	0.04	081403WHC126
	1.00	6.00 - 20.00	25.00	5.00	0.05	081404WHC126
	1.50	8.50 - 22.50	25.00	7.50	0.05	081405WHC126
	2.00	11.00 - 25.00	25.00	10.00	0.05	081406WHC126
	2.50	13.50 - 27.50	25.00	12.50	0.05	081407WHC126
	2.80	15.00 - 28.00	25.00	14.00	0.07	081408WHC126

*Fixture-through reducing sleeve (B10-A: 17)

B10-M: 12-13



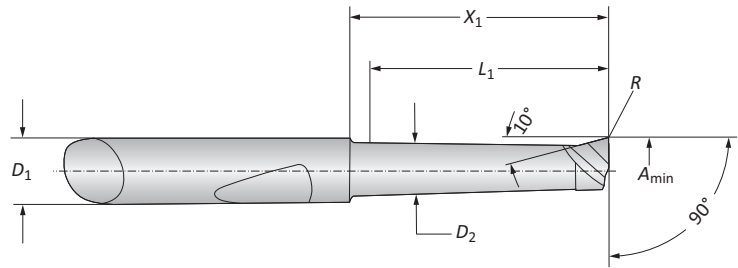
B10: VI-VII



m = Metric (mm)

Mini Boring Bars

WHC05 | WHW04 | WBN150 | Diameter Range: 3.00 mm - 10.00 mm



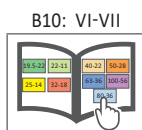
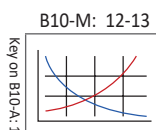
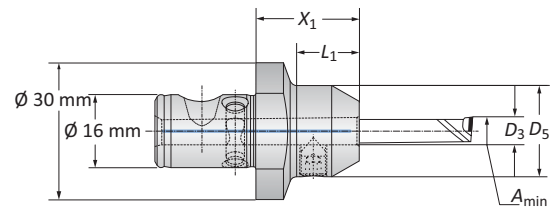
Mini Boring Bars

Boring Range	Boring Bar						Part No.		
	A_{min}	D_1	D_2	X_1	L_1	R	Coated Carbide	Uncoated Carbide	CBN
m	3.00	6.00	2.60	11.50	10.00	0.10	081306WHC05	-	081322WBN150
	3.00	6.00	2.60	16.50	15.00	0.10	081307WHC05	081307WHW04	-
	4.00	6.00	3.60	12.00	10.00	0.20	081308WHC05	-	081317WBN150
	4.00	6.00	3.60	17.00	15.00	0.20	081309WHC05	-	081341WBN150
	4.00	6.00	3.60	22.00	20.00	0.20	081310WHC05	081310WHW04	-
	5.00	6.00	4.60	12.00	10.00	0.20	081311WHC05	-	081318WBN150
	5.00	6.00	4.60	22.00	20.00	0.20	081312WHC05	-	081319WBN150
	5.00	6.00	4.60	32.00	30.00	0.20	081313WHC05	081313WHW04	-
	6.00	6.00	5.60	22.00	20.00	0.20	081314WHC05	-	081320WBN150
	6.00	6.00	5.60	32.00	30.00	0.20	081315WHC05	-	081321WBN150
	6.00	6.00	5.60	42.00	40.00	0.20	081316WHC05	081316WHW04	-
	8.00	8.00	7.60	25.00	23.00	0.20	081323WHC05	-	-
	8.00	8.00	7.60	50.00	48.00	0.20	081324WHC05	-	-



Adapters

Boring Range	Adapter				Part No.	
	A_{min}	D_3	D_5	X_1		L_1
m	3.00	6.00	20.00	22.50	14.00	319010
	8.00	8.00	22.00	22.50	14.00	236071



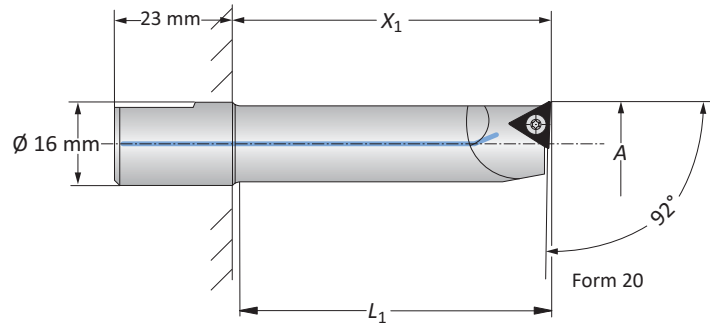
m = Metric (mm)

Boring Bars

Steel | Diameter Range: 6.00 mm - 27.00 mm

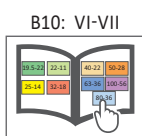
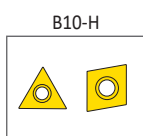
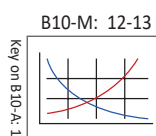


Form 101



Boring Range	Boring Bar		Weight	Insert Form	Part No.	Insert Form	Part No.	
	A	X ₁						L ₁
6.00 - 8.00		22.00	19.00	0.03 (kg)	-	-	211*	081053
8.00 - 10.00		30.00	27.00	0.04 (kg)	-	-	211*	218071
10.00 - 12.00		45.00	42.00	0.05 (kg)	-	-	20*	081044
10.00 - 12.00		25.00	22.00	0.04 (kg)	101	218047	20*	218058
10.00 - 12.00		35.00	32.00	0.05 (kg)	101	218048	20*	218059
12.00 - 14.00		30.00	27.00	0.05 (kg)	101	218012	20*	218014
12.00 - 14.00		45.00	42.00	0.06 (kg)	101	218049	20*	218060
14.00 - 16.00		35.00	32.00	0.06 (kg)	101	218050	20*	218061
m 14.00 - 16.00		50.00	47.00	0.08 (kg)	101	218051	20*	218062
15.00 - 17.00		37.00	34.00	0.06 (kg)	-	-	20*	081048
15.00 - 17.00		60.00	57.00	0.08 (kg)	101	081041	20*	081045
16.00 - 20.00		40.00	37.00	0.08 (kg)	101	218052	20*	218063
16.00 - 20.00		60.00	57.00	0.09 (kg)	101	218053	20*	218064
20.00 - 25.00		37.00	34.00	0.07 (kg)	-	-	20*	081049
20.00 - 25.00		70.00	67.00	0.11 (kg)	101	081042	20*	081046
25.00 - 27.00		37.00	34.00	0.07 (kg)	-	-	20*	081050
25.00 - 27.00		70.00	67.00	0.11 (kg)	101	081043	20*	081047

*Not suitable for indexable inserts with a radius of 0.80 mm

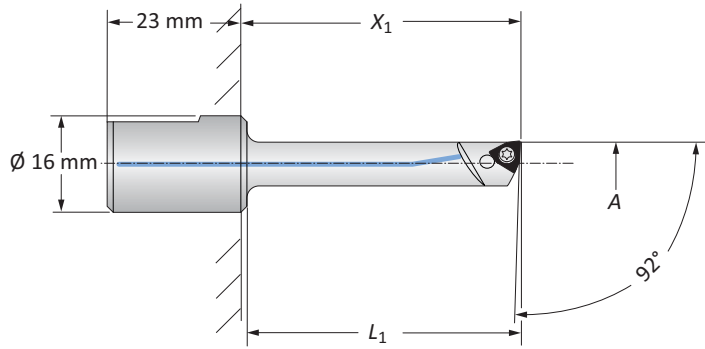


Key on B10-A: 1

m = Metric (mm)
Inserts sold separately

Boring Bars

Heavy Metal | Carbide Diameter Range: 6.00 mm - 20.00 mm



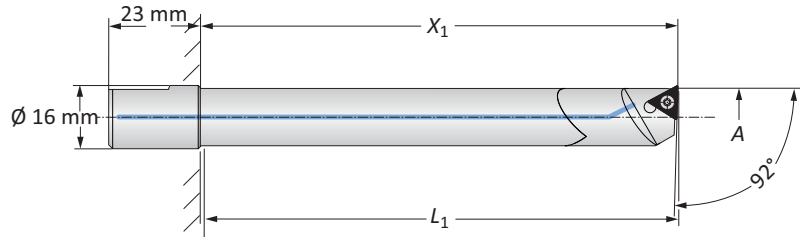
Heavy Metal Boring Bars | Diameter Range: 6.00 mm - 10.00 mm

m	Boring Range		Boring Bar		Weight	Insert Form	Part No.
	A	X ₁	L ₁				
	6.00 - 8.00	32.00	29.00		0.08 (kg)	211*	081055
	8.00 - 10.00	45.00	42.00		0.09 (kg)	211*	218072

*Not suitable for indexable inserts with a radius of 0.80 mm



Form 101

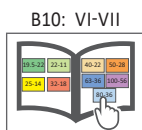
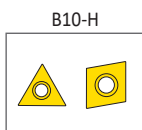
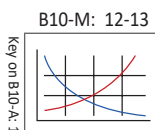


Form 20

Carbide Boring Bars | Diameter Range: 10.00 mm - 20.00 mm

m	Boring Range		Boring Bar		Weight	Insert Form	Part No.	Insert Form	Part No.
	A	X ₁	L ₁						
	10.00 - 12.00	55.00	52.00		0.07 (kg)	101	218042	20*	218037
	10.00 - 12.00	75.00	72.00		0.09 (kg)	101	218032	20*	218029
	12.00 - 14.00	70.00	67.00		0.10 (kg)	101	218043	20*	218038
	12.00 - 14.00	90.00	87.00		0.15 (kg)	101	218033	20*	218030
	14.00 - 16.00	75.00	72.00		0.16 (kg)	101	218044	20*	218039
	14.00 - 16.00	100.00	97.00		0.20 (kg)	101	218045	20*	218040
	16.00 - 20.00	90.00	87.00		0.26 (kg)	101	218046	20*	218041
	16.00 - 20.00	120.00	117.00		0.33 (kg)	101	218034	20*	218031

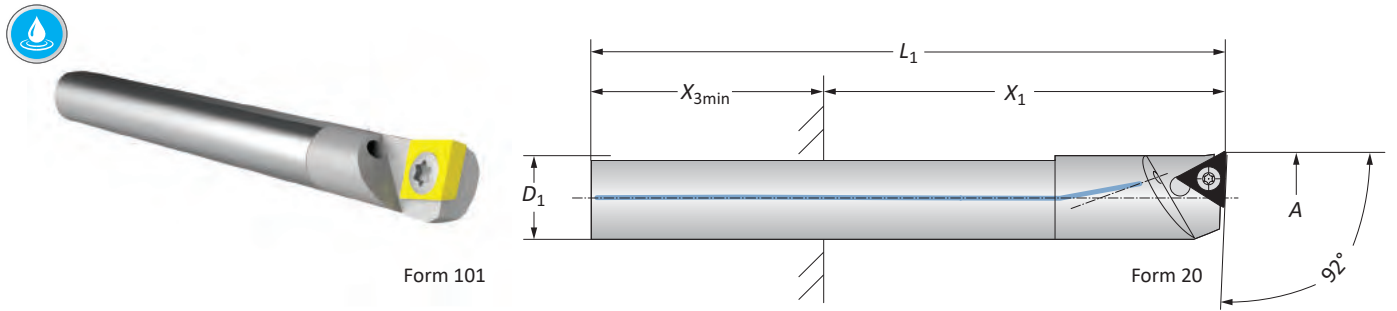
*Not suitable for indexable inserts with a radius of 0.80 mm



m = Metric (mm)
Inserts sold separately

Boring Bars

Steel | Carbide | Diameter Range: 6.00 mm - 20.00 mm

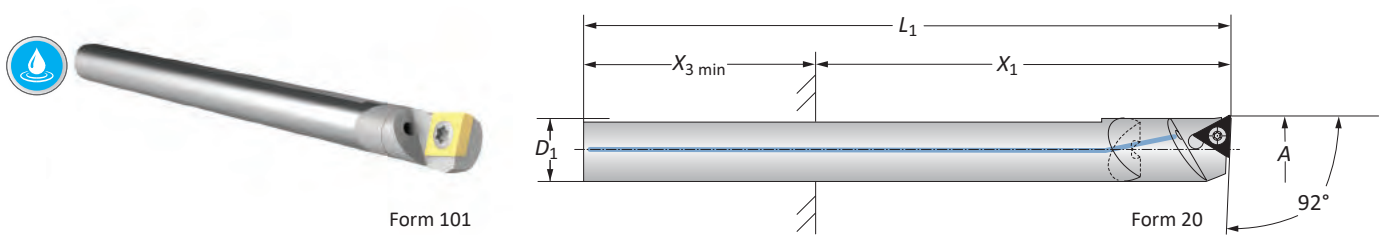


Steel Boring Bars | Diameter Range: 6.00 mm - 20.00 mm

Boring Range	Boring Bar					Weight	Part No.			
	A	D ₁	X ₁	X _{3 min}	L ₁		Insert Form	Boring Bar	Insert Form	Boring Bar
6.00 - 8.00	5.00*	12.50 - 25.00	25.00	70.00	0.01 (kg)	211**	514032	-	-	
8.00 - 10.00	7.00*	17.50 - 35.00	25.00	81.00	0.02 (kg)	211**	514033	-	-	
10.00 - 12.00	8.00*	20.00 - 40.00	25.00	85.00	0.03 (kg)	101	514003	20**	514004	
12.00 - 14.00	10.00*	25.00 - 50.00	25.00	100.00	0.05 (kg)	101	514005	20**	514006	
14.00 - 16.00	12.00*	30.00 - 60.00	30.00	114.00	0.09 (kg)	101	514007	20**	514008	
16.00 - 18.00	14.00*	56.00 - 70.00	30.00	121.00	0.13 (kg)	101	514009	20**	514010	
18.00 - 20.00	14.00*	56.00 - 70.00	30.00	121.00	0.13 (kg)	101	514011	20**	514012	

*Fixture-through reducing sleeve required (B10-A: 17)

**Not suitable for indexable inserts with a radius of 0.8 mm

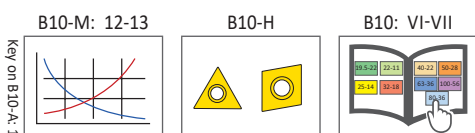


Carbide Boring Bars | Diameter Range: 6.00 mm - 20.00 mm

Boring Range	Boring Bar					Weight	Part No.			
	A	D ₁	X ₁	X _{3 min}	L ₁		Insert Form	Boring Bar	Insert Form	Boring Bar
6.00 - 8.00	5.00*	12.50 - 40.00	25.00	90.00	0.02 (kg)	211**	514034	-	-	
8.00 - 10.00	7.00*	21.00 - 56.00	25.00	109.00	0.05 (kg)	211**	514035	-	-	
10.00 - 12.00	8.00*	22.00 - 64.00	25.00	117.00	0.07 (kg)	101	514015	20**	514016	
12.00 - 14.00	10.00*	51.00 - 80.00	25.00	140.00	0.13 (kg)	101	514017	20**	514018	
14.00 - 16.00	12.00*	68.00 - 96.00	30.00	162.00	0.22 (kg)	101	514019	20**	514020	
16.00 - 18.00	14.00*	77.00 - 112.00	30.00	142.00	0.26 (kg)	101	514021	20**	514022	
16.00 - 18.00	14.00*	112.00 - 147.00	30.00	177.00	0.33 (kg)	101	514023	20**	514024	
18.00 - 20.00	14.00*	77.00 - 112.00	30.00	142.00	0.26 (kg)	101	514025	20**	514026	
18.00 - 20.00	14.00*	112.00 - 147.00	30.00	177.00	0.33 (kg)	101	514027	20**	514028	

*Fixture-through reducing sleeve required (B10-A: 17)

**Not suitable for indexable inserts with a radius of 0.80 mm



m = Metric (mm)
Inserts sold separately