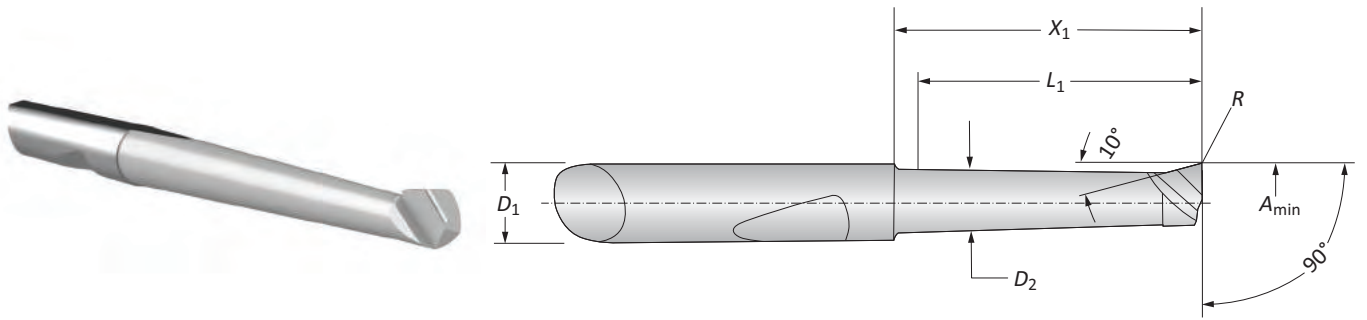


Mini Boring Bars

WHC05 | WHW04 | WBN150 | Diameter Range: 3.00 mm - 10.00 mm



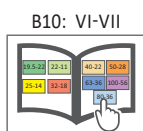
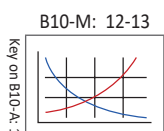
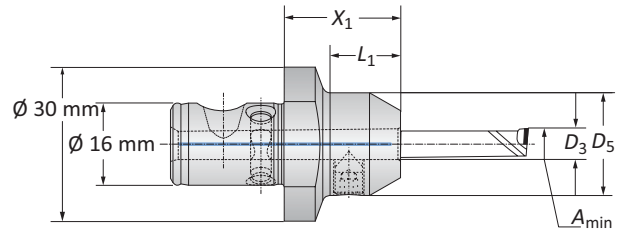
Mini Boring Bars

Boring Range	Boring Bar					Part No.			
	A_{min}	D_1	D_2	X_1	L_1	R	Coated Carbide	Uncoated Carbide	CBN
m	3.00	6.00	2.60	11.50	10.00	0.10	081306WHC05	-	081322WBN150
	3.00	6.00	2.60	16.50	15.00	0.10	081307WHC05	081307WHW04	-
	4.00	6.00	3.60	12.00	10.00	0.20	081308WHC05	-	081317WBN150
	4.00	6.00	3.60	17.00	15.00	0.20	081309WHC05	-	081341WBN150
	4.00	6.00	3.60	22.00	20.00	0.20	081310WHC05	081310WHW04	-
	5.00	6.00	4.60	12.00	10.00	0.20	081311WHC05	-	081318WBN150
	5.00	6.00	4.60	22.00	20.00	0.20	081312WHC05	-	081319WBN150
	5.00	6.00	4.60	32.00	30.00	0.20	081313WHC05	081313WHW04	-
	6.00	6.00	5.60	22.00	20.00	0.20	081314WHC05	-	081320WBN150
	6.00	6.00	5.60	32.00	30.00	0.20	081315WHC05	-	081321WBN150
	6.00	6.00	5.60	42.00	40.00	0.20	081316WHC05	081316WHW04	-
	8.00	8.00	7.60	25.00	23.00	0.20	081323WHC05	-	-
	8.00	8.00	7.60	50.00	48.00	0.20	081324WHC05	-	-



Adapters

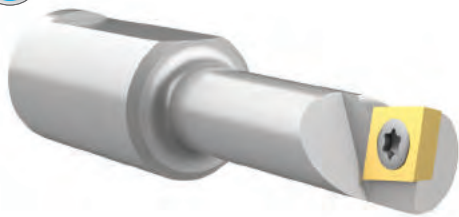
	Adapter				Part No.
	D_3	D_5	X_1	L_1	
m	6.00	20.00	22.50	14.00	319010
	8.00	22.00	22.50	14.00	236071



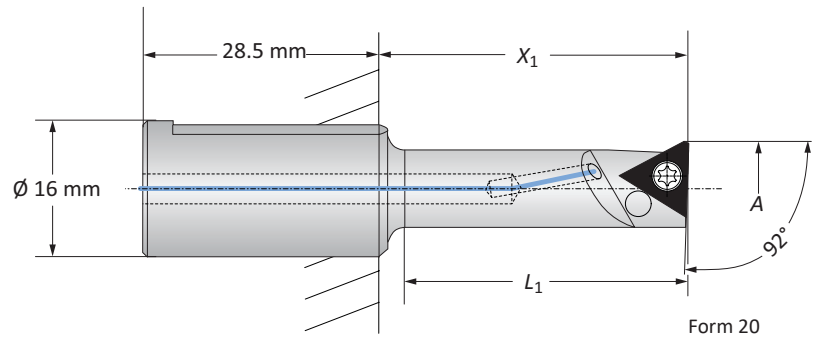
m = Metric (mm)

Boring Bars

Steel | Heavy Metal



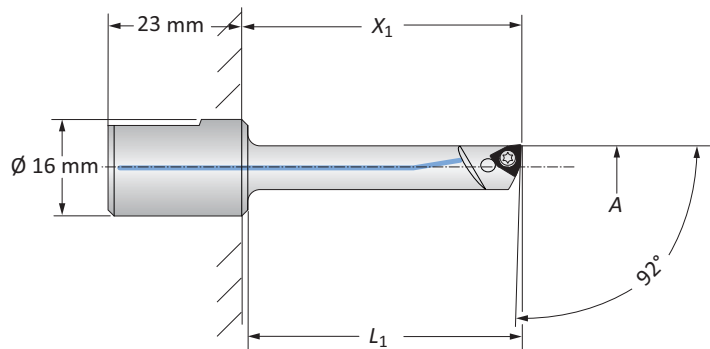
Form 101



Steel Boring Bars | Diameter Range: 6.00 mm - 24.00 mm

	Boring Range		Boring Bar			Weight	Insert Form	Part No.
	A	X ₁	L ₁					
m	6.00 - 10.00	22.00 - 32.00	20.00			0.04 (kg)	211*	450026
	10.00 - 16.00	35.00 - 45.00	33.00			0.06 (kg)	101	450027
	10.00 - 16.00	35.00 - 45.00	33.00			0.06 (kg)	20*	450038
	16.00 - 24.00	60.00 - 70.00	58.00			0.10 (kg)	101	450028
	16.00 - 24.00	60.00 - 70.00	58.00			0.10 (kg)	20*	450039

*Not suitable for indexable inserts with a radius of 0.80 mm



Heavy Metal Boring Bars | Diameter Range: 6.00 mm - 10.00 mm

	Boring Range		Boring Bar			Weight	Insert Form	Part No.
	A	X ₁	L ₁					
m	6.00 - 8.00	32.00	29.00			0.08 (kg)	211*	081055
	8.00 - 10.00	45.00	42.00			0.09 (kg)	211*	218072

*Not suitable for indexable inserts with a radius of 0.80 mm

B10-M: 12-13 B10-H B10: VI-VII

Key on B10-A-1

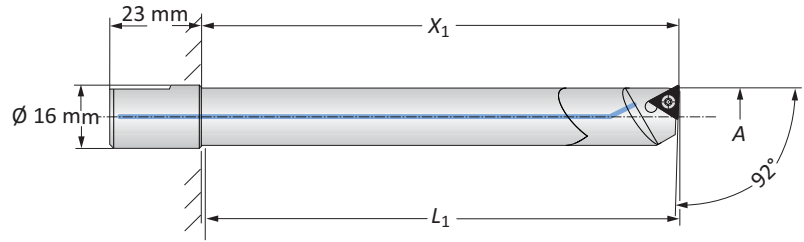
m = Metric (mm)
Inserts sold separately

Boring Bars

Carbide | Diameter Range: 10.00 mm - 20.00 mm



Form 101



Form 20

Carbide Boring Bars

	Boring Range		Boring Bar		Weight	Insert Form	Part No.	Insert Form	Part No.
	A	X ₁	L ₁						
m	10.00 - 12.00	55.00	52.00	0.07 (kg)	101	218042	20*	218037	
	10.00 - 12.00	75.00	72.00	0.09 (kg)	101	218032	20*	218029	
	12.00 - 14.00	70.00	67.00	0.10 (kg)	101	218043	20*	218038	
	12.00 - 14.00	90.00	87.00	0.15 (kg)	101	218033	20*	218030	
	14.00 - 16.00	75.00	72.00	0.16 (kg)	101	218044	20*	218039	
	14.00 - 16.00	100.00	97.00	0.20 (kg)	101	218045	20*	218040	
	16.00 - 20.00	90.00	87.00	0.26 (kg)	101	218046	20*	218041	
	16.00 - 20.00	120.00	117.00	0.33 (kg)	101	218034	20*	218031	

*Not suitable for indexable inserts with a radius of 0.80 mm

B10-M: 12-13

Key on B10-A: 1

B10-H

B10: VI-VII

m = Metric (mm)
Inserts sold separately