

Modulare Aggregatetechnik

DMG MORI

WF
&

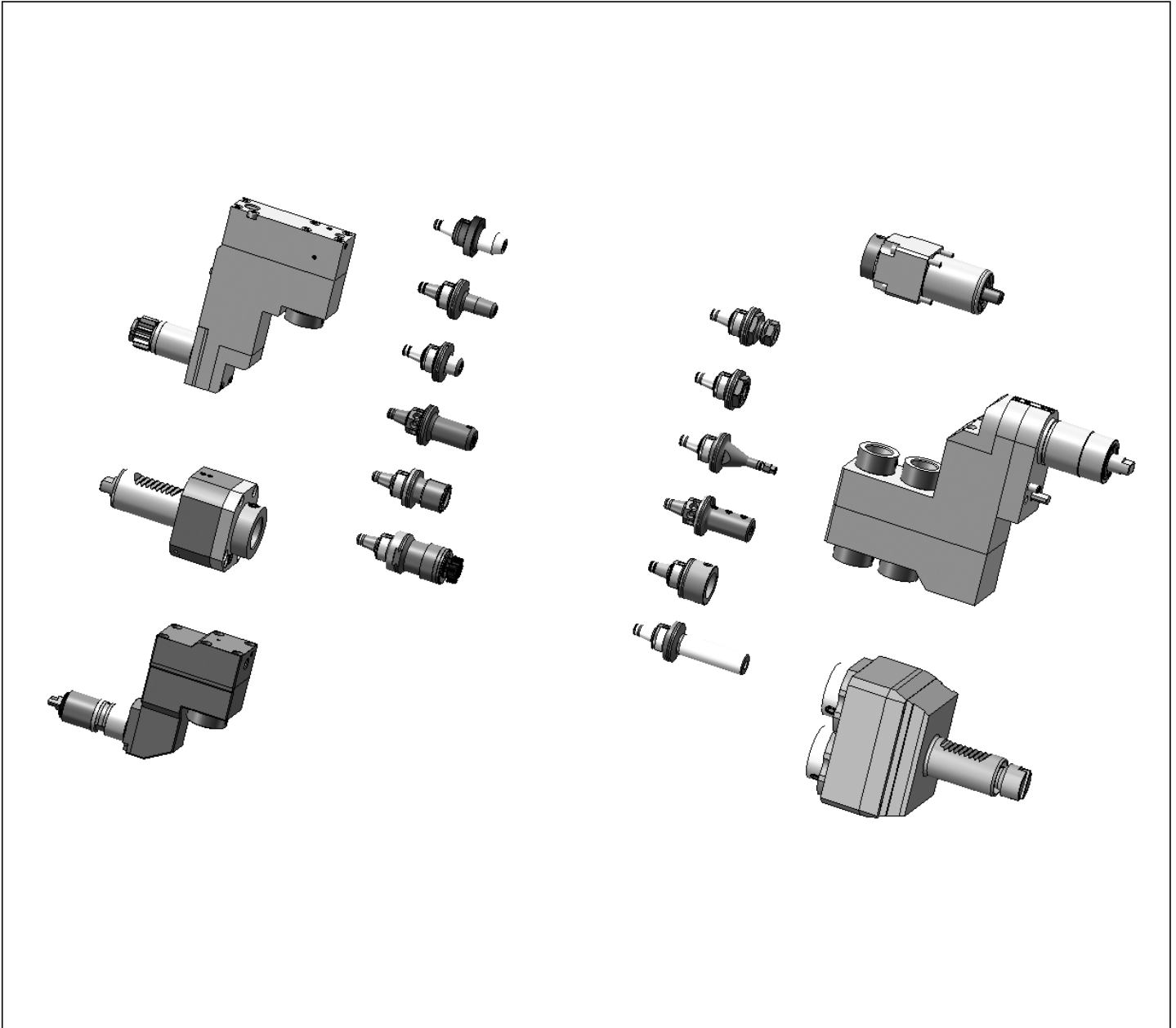
ph HORN ph





WFB-Adapterpool

Indications for the customer



Mit den Werkzeughaltern von W&F in statischer oder angetriebener Ausführung und dem WFB-Adaptersystem haben Sie die einzigartige Möglichkeit, für sämtliche Hersteller egal ob im Kurzdrehen, Langdrehen oder Mehrspindel-drehen ein durchgängiges modulares Werkzeug-system einzusetzen.

The W&F tool holders are in static or driven performance and beyond that, the WFB-adapter system offers you an unique option to use it for every machine manufacturer whether you are manufacturer producing with swiss type lathes, standard turning machines or multispindle turning machines, WFB is suitable.

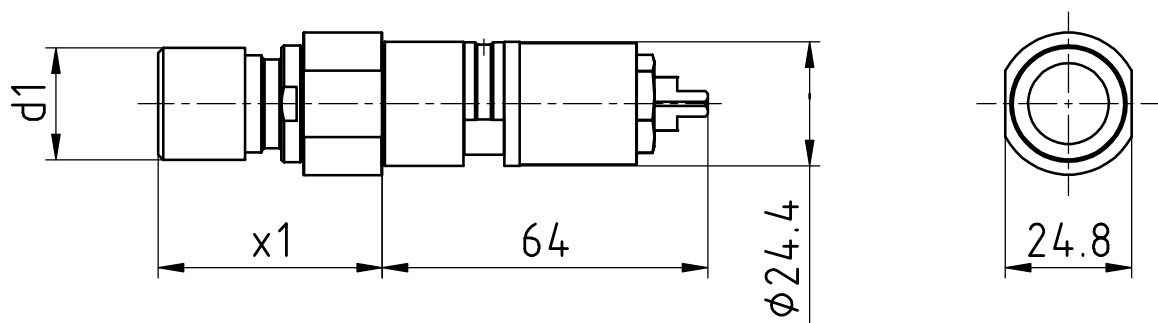
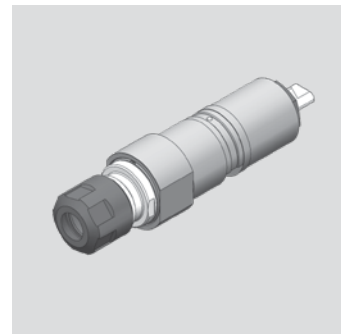
DMG MORI - SPRINT

Axial-Bohr- und Fräskopf

Axial drilling and milling head

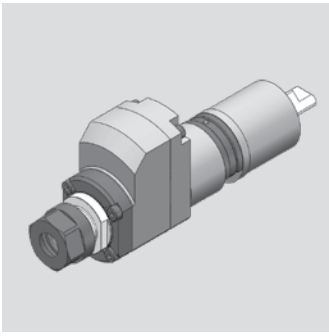
Outil de perçage et de fraisage axiale

WG 35



[mm]	[mm]	Spindle Broche Spindel	[Nm] T max	[rpm] n max		Outside cooling Lubrificat. ext. Aussenkühlung	Internal cooling Lubrificat. cent. Innenkühlung	[bar] p	Order no. N° de Code Bestellnummer
d1	x1			i					
22	44	ER16 MINI	8	6.000	1:1				MPU.Z24.E16.AA0.SP20

Passend für Maschine: suitable machines: approprié pour la machine:	Sprint 2015	Speed 2018
	Sprint 2018	Speed 2018 linear
	Sprint 2018 linear	Speed 20111 linear



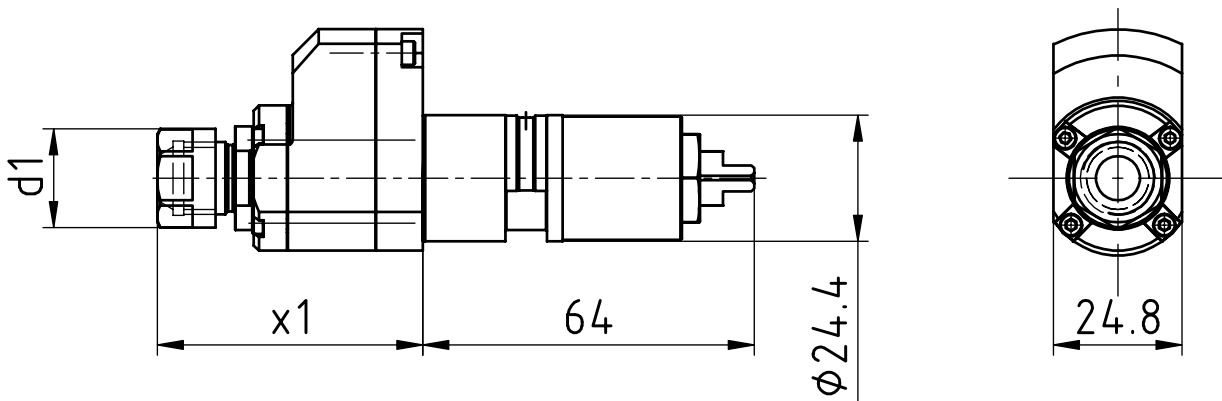
DMG MORI - SPRINT

Axial-Bohr- und Fräskopf

Axial drilling and milling head

Outil de perçage et de fraisage axiale

WG 35



[mm]	[mm]	Spindle Broche	[Nm]	[rpm]		Outside cooling Lubrificat. ext.	Internal cooling Lubrificat. cent.	[bar]	Order no. N° de Code
d1	x1	Spindel	T max	n max	i	Aussenkühlung	Innenkühlung	p	Bestellnummer
19	51	ER11	2	24.000	1:4				MPU.Z24.E11.BA0.SP20

Passend für Maschine: suitable machines: approprié pour la machine:	Sprint 2015	Speed 2018
	Sprint 2018	Speed 2018 linear
	Sprint 2018 linear	Speed 20111 linear

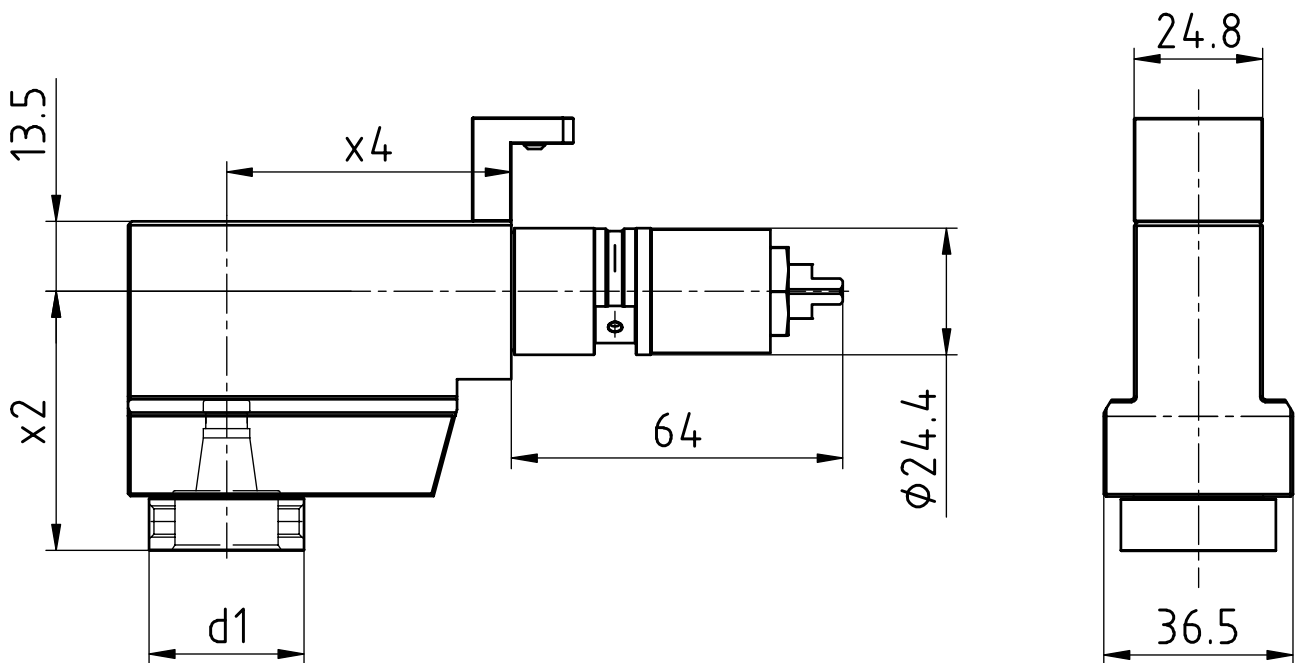
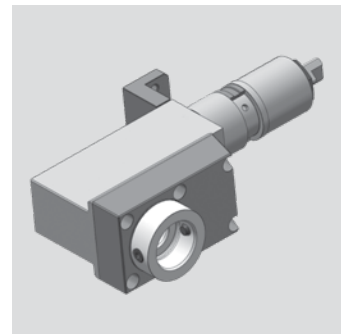
DMG MORI - SPRINT

Radial-Bohr- und Fräskopf

Radial drilling and milling head

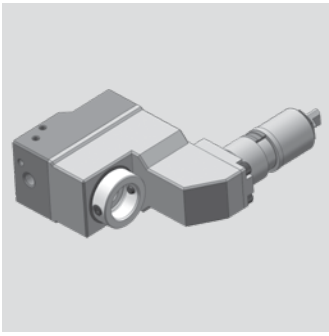
Outil de perçage et de fraisage radiale

WG 35



[mm]	[mm]	[mm]	Spindle Broche	[Nm]	[rpm]	Outside cooling Lubrificat. ext.	Internal cooling Lubrificat. cent.	[bar]	Order no. N° de Code
d1	x2	x4	Spindel	T max	n max	i	Aussenkühlung Innenkühlung	p	Bestellnummer
30	50	55	WFB 20-12	5	9.000	1:1,5			MPU.Z24.B20.RA0.SP20

Passend für Maschine: sutable machines: approprié pour la machine:	Sprint 2015	Speed 2018
	Sprint 2018	Speed 2018 linear
	Sprint 2018 linear	Speed 20111 linear



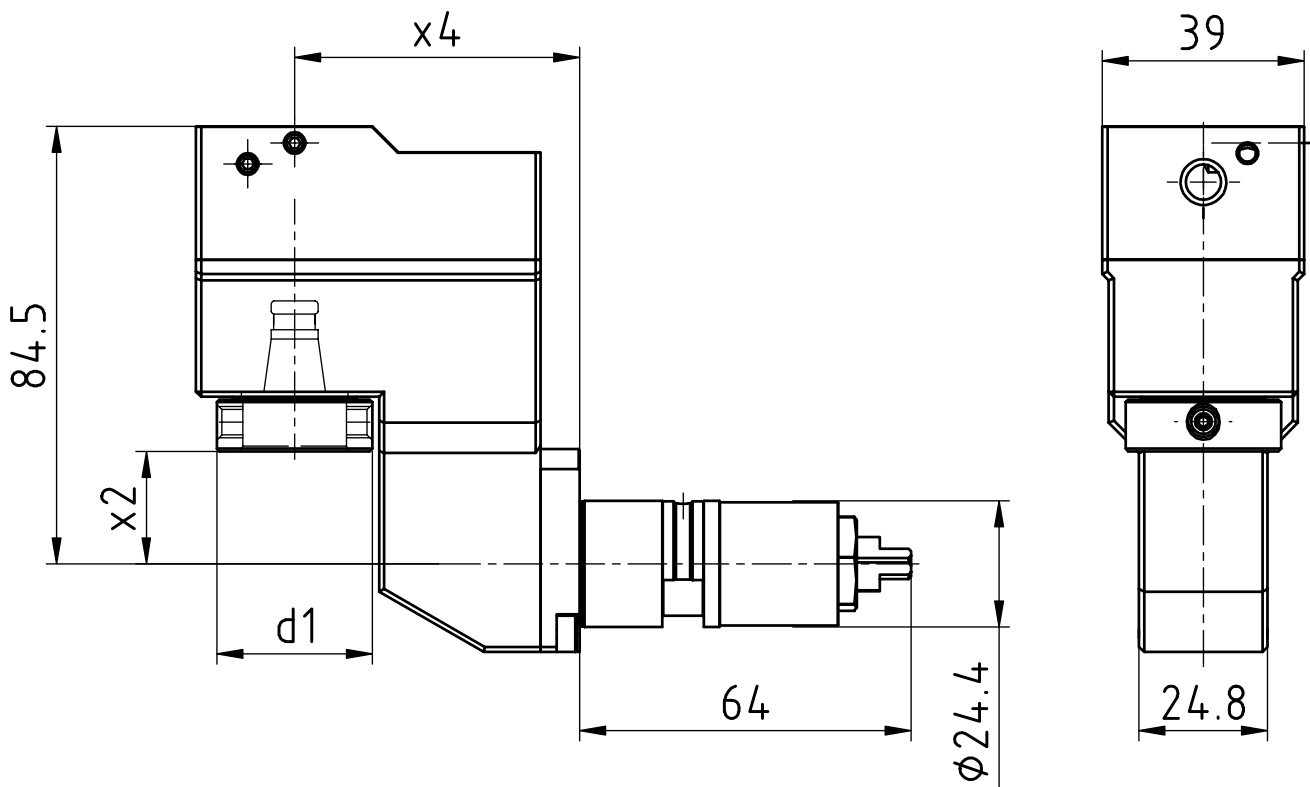
DMG MORI - SPRINT

Radial Bohr- und Fräskopf

Radial drilling and milling head

Outil de perçage et de fraisage radiale

WG 35



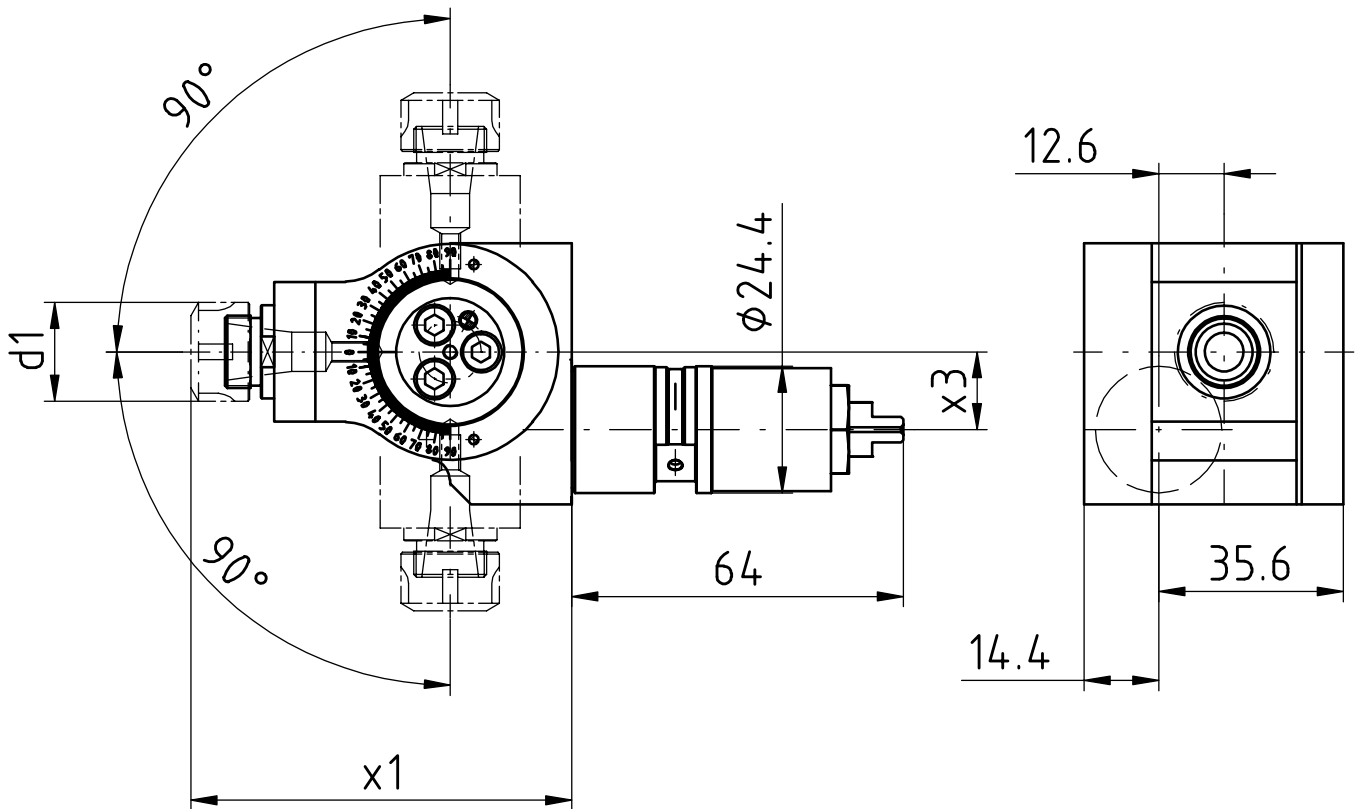
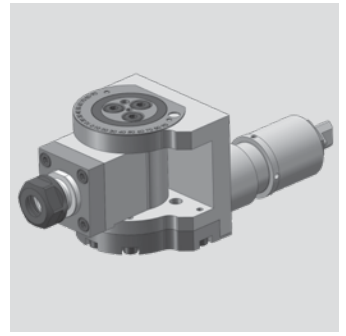
[mm]	[mm]	[mm]	Spindle Broche Spindel	[Nm] T max	[rpm] n max i	Outside cooling Lubrificat. ext. Aussenkühlung	Internal cooling Lubrificat. cent. Innenkühlung	[bar] p	Order no. N° de Code Bestellnummer
d1	x2	x4							
30	21,75	55	WFB 20-12	4	11.150	1:1,86			MPU.Z24.B20.OA0.SP20
30	21,75	55	WFB 20-12	4	11.150	1:1,86	x	80	MPU.Z24.B20.OE0.SP20
30	21,75	65	WFB 20-12	4	11.150	1:1,86			MPU.Z24.B20.OA0.SP20S
30	21,75	65	WFB 20-12	4	11.150	1:1,86	x	80	MPU.Z24.B20.OE0.SP20S

Passend für Maschine:	Sprint 2015	Speed 2018
suitable machines:	Sprint 2018	Speed 2018 linear
approprié pour la machine:	Sprint 2018 linear	Speed 20111 linear

DMG MORI - SPRINT

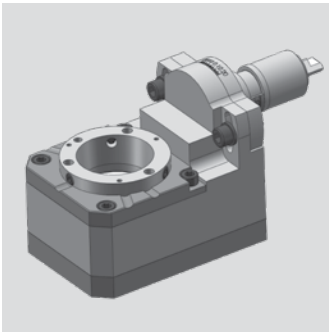
Bohr- und Fräskopf winkelverstellbar
 Drilling and milling swivel head
 Outil de perçage et de fraisage tournant

WG 35



[mm]	[mm]	[mm]	Spindle Broche Spindel	[Nm] T max	[rpm] n max		Outside cooling Lubrificat. ext. Aussenkühlung	Internal cooling Lubrificat. cent. Innenkühlung	[bar] p	Order no. N° de Code Bestellnummer
d1	x1	x3			i					
19	50	15	ER11	5	6.000	1:1				MPU.Z24.E11.SA0.SP20

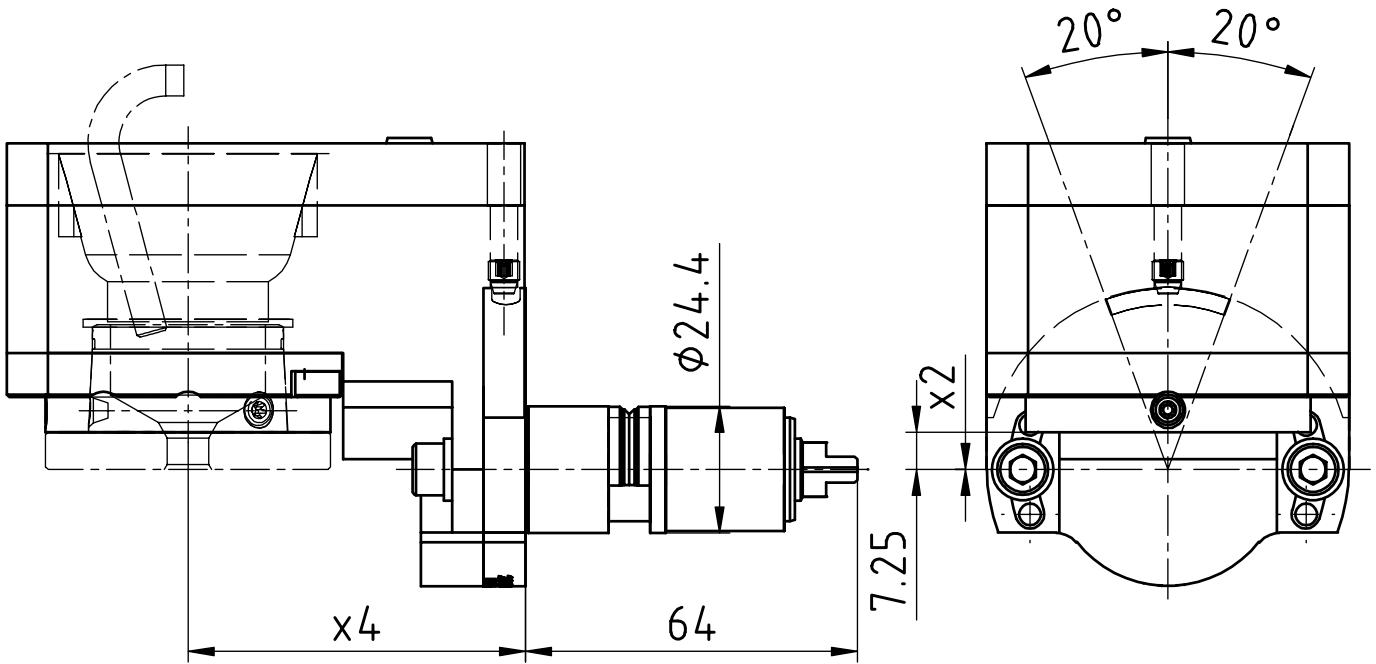
Passend für Maschine:	Sprint 2015	Speed 2018
suitable machines:	Sprint 2018	Speed 2018 linear
approprié pour la machine:	Sprint 2018 linear	Speed 20111 linear



DMG MORI - SPRINT

Gewindewirbelapparat modular
 Thread whirling unit
 Unité de tourbillonnement

WG 35



[mm]	[mm]	[mm]	Spindle Broche	[Nm]	[rpm]		Outside cooling Lubrificat. ext.	Internal cooling Lubrificat. cent.	[bar]	Order no. N° de Code
d1	x2	x4	Spindel	T max	n max	i	Aussenkühlung	Innenkühlung	p	Bestellnummer
54	0	65,2	WFW 50	16	3.000	2:1	x			MPU.Z24.M0800.SP20

Passend für Maschine: suitable machines: approprié pour la machine:	Sprint 2015	Speed 2018
	Sprint 2018	Speed 2018 linear
	Sprint 2018 linear	Speed 20111 linear

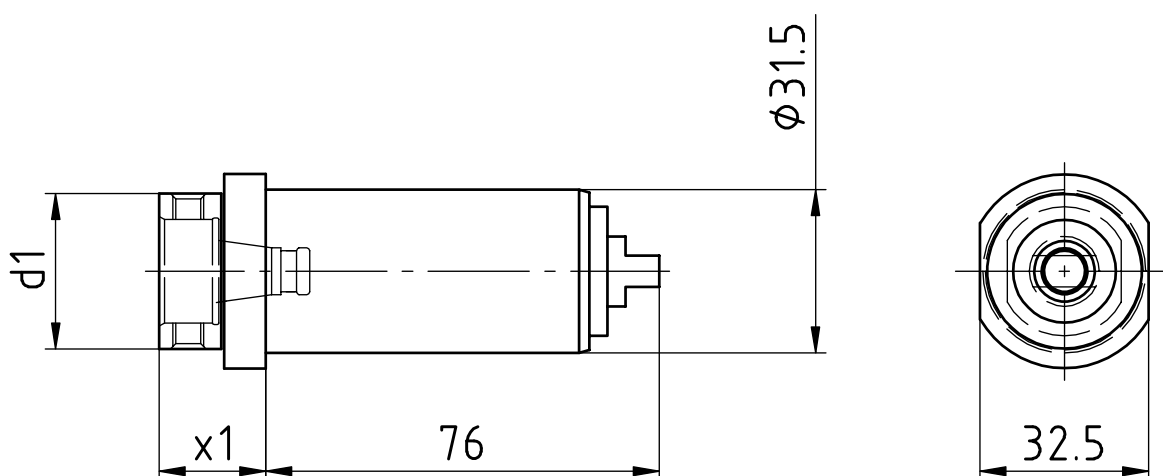
DMG MORI - SPRINT

Axial Bohr- und Fräskopf

Axial drilling and milling head

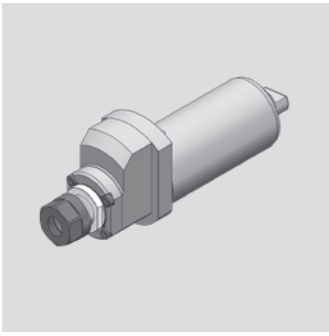
Outil de perçage et de fraisage axiale

WG 35



[mm]	[mm]	Spindle Broche	[Nm]	[rpm]		Outside cooling Lubrificat. ext.	Internal cooling Lubrificat. cent.	[bar]	Order no. N° de Code
d1	x1	Spindel	T max	n max	i	Aussenkühlung	Innenkühlung	p	Bestellnummer
30	20,5	WFB 20-12	10	6.500	1:1				MPU.M31.B20.AA0.SP42

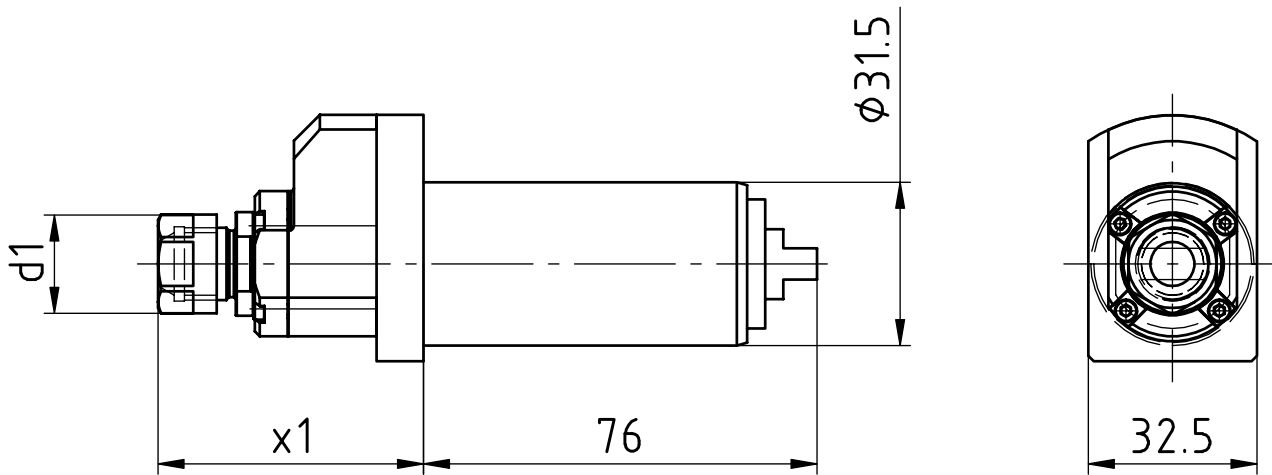
Passend für Maschine: suitable machines: approprié pour la machine:	Sprint 3215	Sprint 42110 linear
	Sprint 3218	Speed 32110 linear
	Sprint 42 linear	



DMG MORI - SPRINT

Axial Bohr- und Fräskopf
 Axial drilling and milling head
 Outil de perçage et de fraisage axiale

WG 35



[mm]	[mm]	Spindle Broche Spindel	[Nm] T max	[rpm] n max	i	Outside cooling Lubrificat. ext. Aussenkühlung	Internal cooling Lubrificat. cent. Innenkühlung	[bar] p	Order no. N° de Code Bestellnummer
d1	x1	ER11	2	26.000	1:4				MPU.M31.E11.BA0.SP42

Passend für Maschine: suitable machines: approprié pour la machine:	Sprint 3215	Sprint 42 10 linear
	Sprint 3218	Speed 32 10 linear
	Sprint 42 linear	

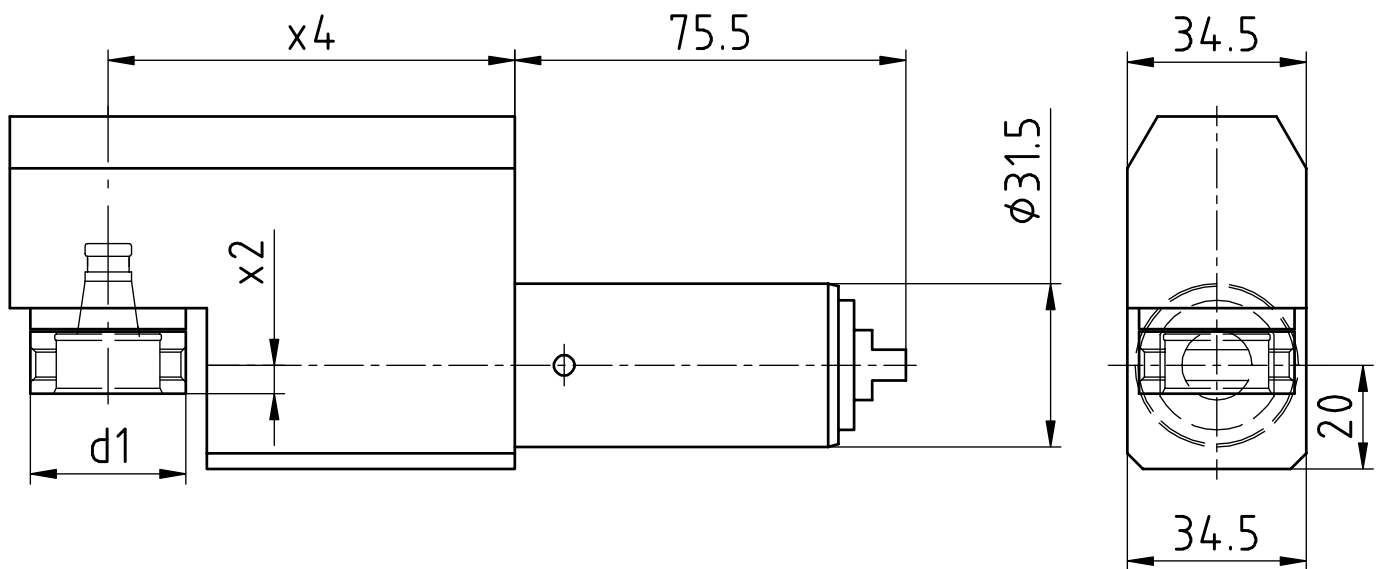
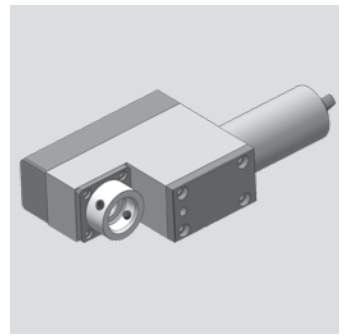
DMG MORI - SPRINT

Radial Bohr- und Fräskopf

Radial drilling and milling head

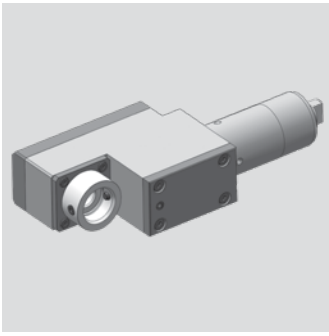
Outil de perçage et de fraisage radiale

WG 35



[mm]	[mm]	[mm]	Spindle Broche	[Nm]	[rpm]		Outside cooling Lubrificat. ext.	Internal cooling Lubrificat. cent.	[bar]	Order no. N° de Code
d1	x2	x4	Spindel	T max	n max	i	Aussenkühlung	Innenkühlung	p	Bestellnummer
30	5,5	78,5	WFB 20-12	3	19.500	1:3				MPU.M31.B20.ZA0.SP42
30	5,5	78,5	WFB 20-12	3	19.500	1:3		x	80	MPU.M31.B20.ZE0.SP42
30	5,5	78,5	WFB 20-12	12	5.200	1,25:1				MPU.M31.B20.VA0.SP42

Passend für Maschine: suitable machines: approprié pour la machine:	Sprint 32I5	Sprint 42I10 linear
	Sprint 32I8	Speed 32I10 linear
	Sprint 42 linear	



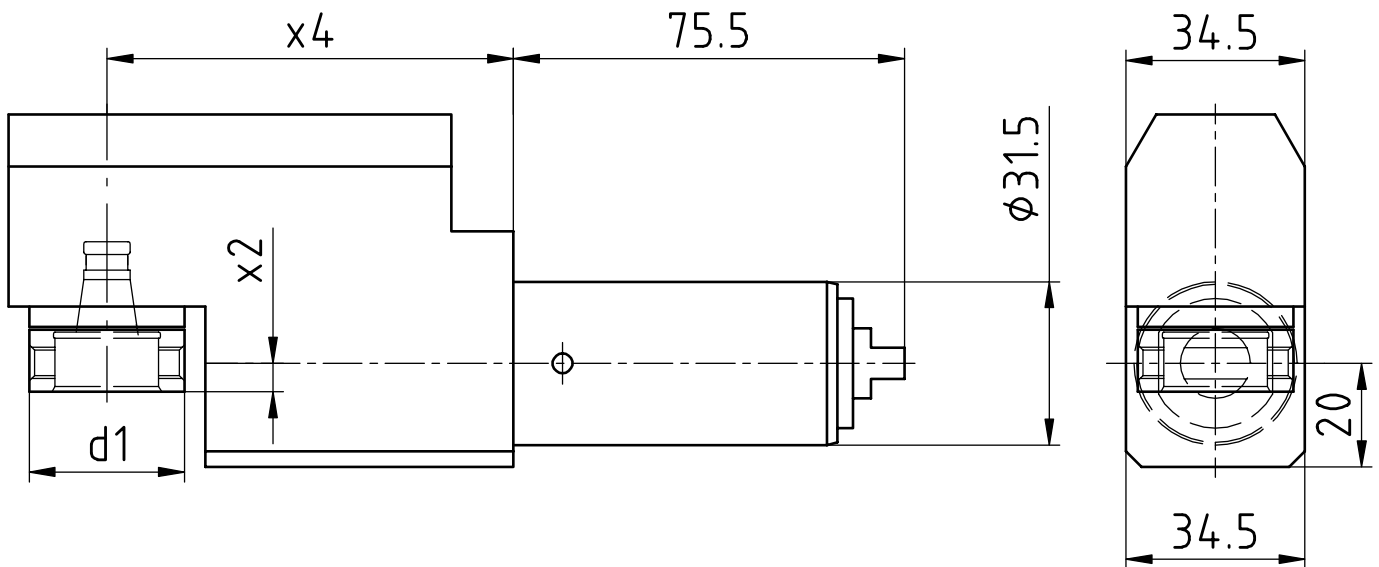
DMG MORI - SPRINT

Radial Bohr- und Fräskopf

Radial drilling and milling head

Outil de perçage et de fraisage radiale

WG 35



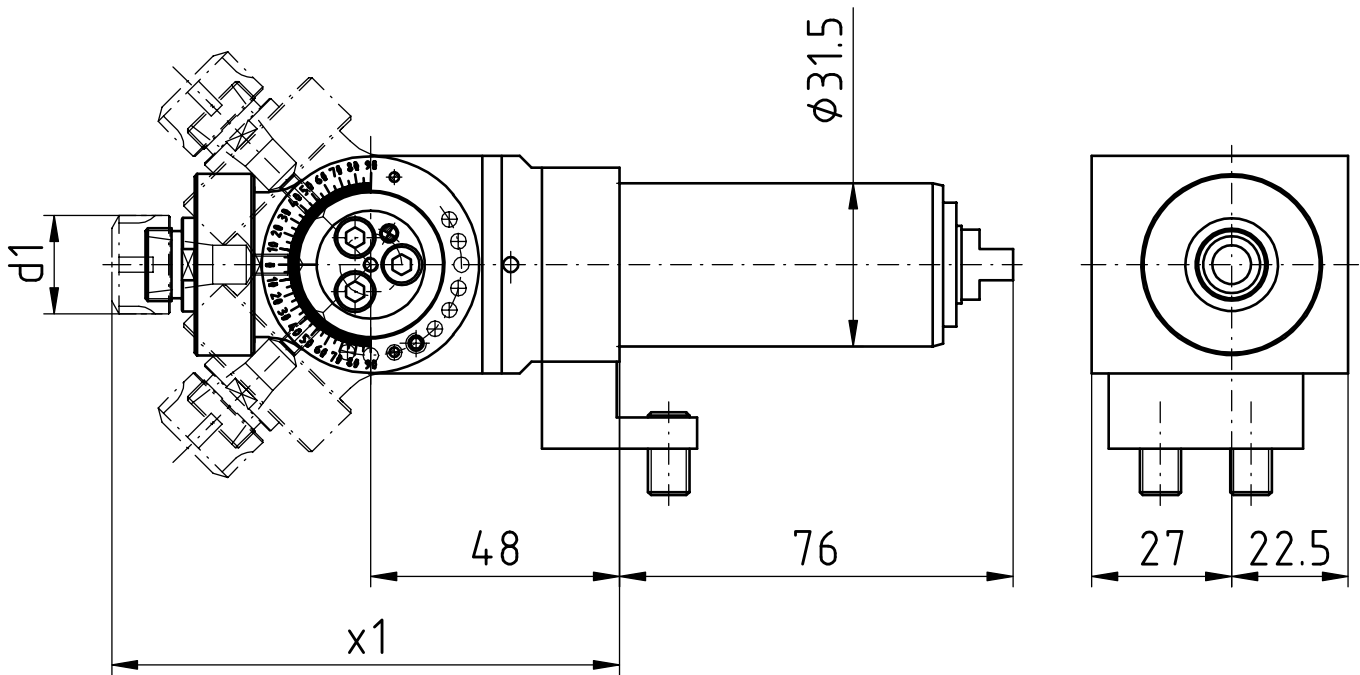
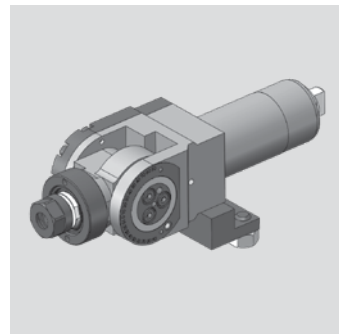
[mm]	[mm]	[mm]	Spindle Broche	[Nm]	[rpm]	Outside cooling Lubrificat. ext.	Internal cooling Lubrificat. cent.	[bar]	Order no. N° de Code
d1	x2	x4	Spindel	T max	n max	i	Aussenkühlung Innenkühlung	p	Bestellnummer
30	5,5	78,5	WFB 20-12	3	19.500	1:3			MPU.M31.B20.ZA0.SP42RS

Passend für Maschine:	Sprint 3215	Sprint 42 10 linear
suitable machines:	Sprint 3218	Speed 32 10 linear
approprié pour la machine:	Sprint 42 linear	

DMG MORI - SPRINT

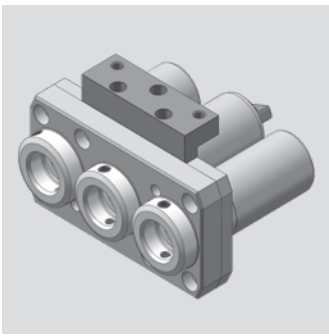
Bohr- und Fräskopf winkelverstellbar
 Drilling and milling swivel head
 Outil de perçage et de fraisage tournant

WG 35



[mm]	[mm]	Spindle Broche Spindel	[Nm] T max	[rpm] n max		Outside cooling Lubrificat. ext. Aussenkühlung	Internal cooling Lubrificat. cent. Innenkühlung	[bar] p	Order no. N° de Code Bestellnummer
d1	x1	ER11	10	6.500	i				MPU.Z31.E11.SA0.SP42

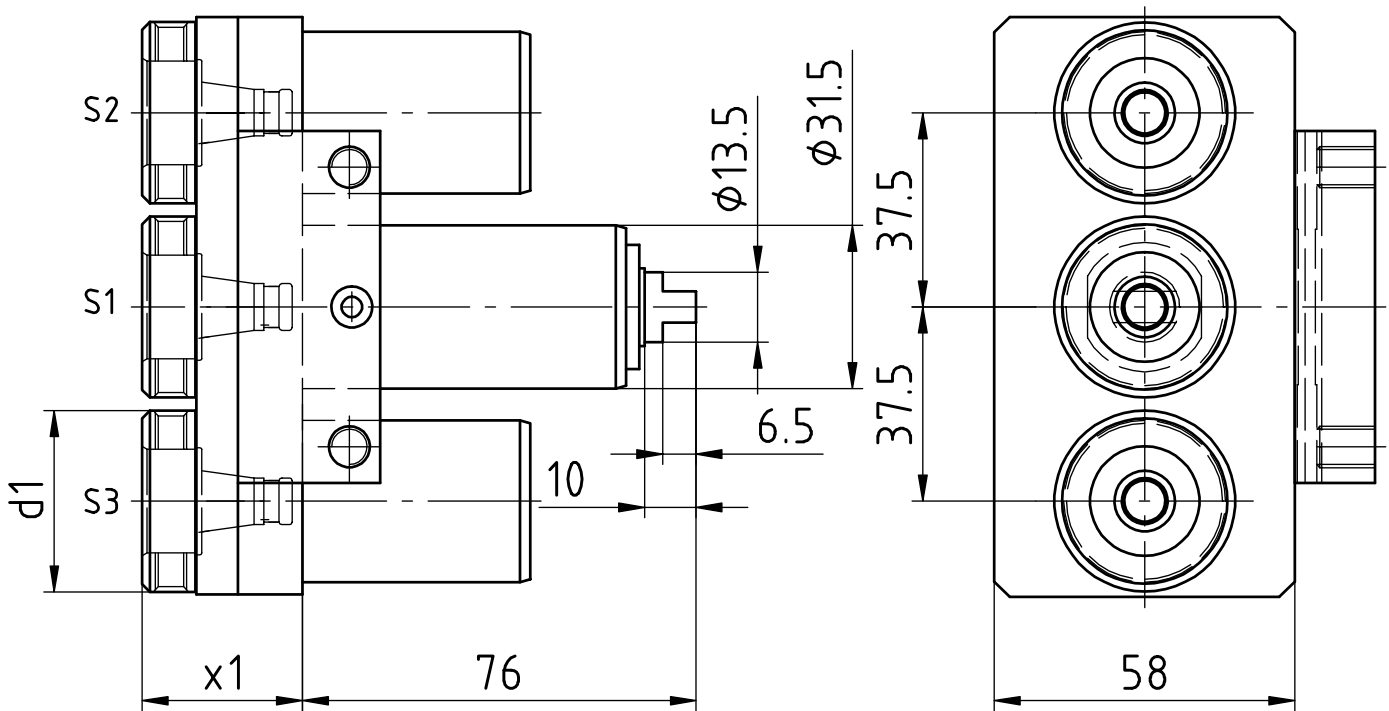
Passend für Maschine: suitable machines: approprié pour la machine:	Sprint 3215	Sprint 42110 linear
	Sprint 3218	Speed 32110 linear
	Sprint 42 linear	



DMG MORI - SPRINT

Axial Bohr- und Fräskopf
 Axial drilling and milling head
 Outil de perçage et de fraisage axiale

WG 35



[mm]	[mm]	Spindle Broche Spindel	[Nm] T max	[rpm] n max	i	Outside cooling Lubrificat. ext. Aussenkühlung	Internal cooling Lubrificat. cent. Innenkühlung	[bar] p	Order no. N° de Code Bestellnummer
d1	x1	WFB 20-12	10*	6.500*	1:1*				MPU.Z31.B20.MA0.SP42

Passend für Maschine:	Sprint 3215	Sprint 42110 linear
suitable machines:	Sprint 3218	Speed 32110 linear
approprié pour la machine:	Sprint 42 linear	

* S1: 10 Nm/6.500 rpm/i=1:1
 S2: 5 Nm/13.000 rpm/i=1:2
 S3: 5 Nm/13.000 rpm/i=1:2

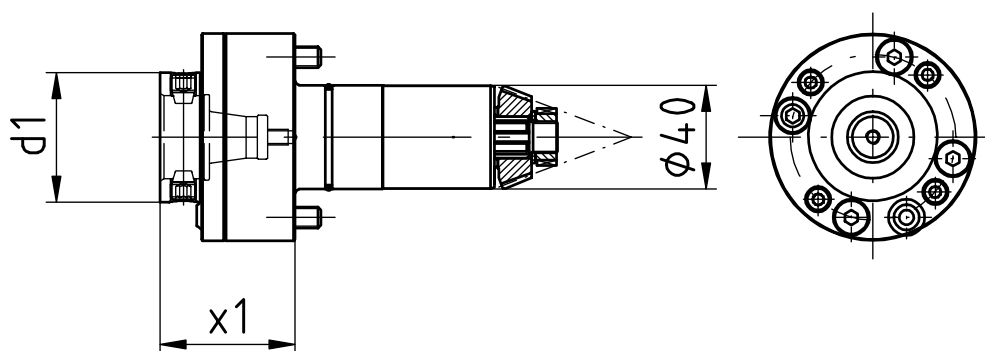
DMG MORI - SPRINT

Axial Bohr- und Fräskopf

Axial drilling and milling head

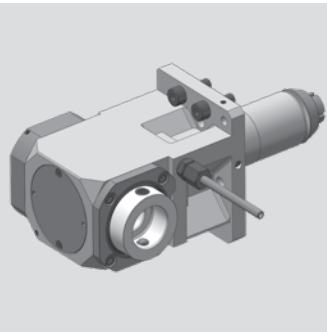
Outil de perçage et de fraisage axiale

WG 35



[mm]	[mm]	Spindle Broche Spindel	[Nm] T max	[rpm] n max	i	Outside cooling Lubrificat. ext. Aussenkühlung	Internal cooling Lubrificat. cent. Innenkühlung	[bar] p	Order no. N° de Code Bestellnummer
d1	x1								
50	52	WFB 32-20	20	8.000	1:1	x			MPU.Z40.B32.AA0.GITAL
50	52	WFB 32-20	20	8.000	1:1	x	x	80	MPU.Z40.B32.AE0.GITAL

Passend für Maschine: Sprint 42110 linear
 suitable machines:
 approprié pour la machine: Speed 32110 linear



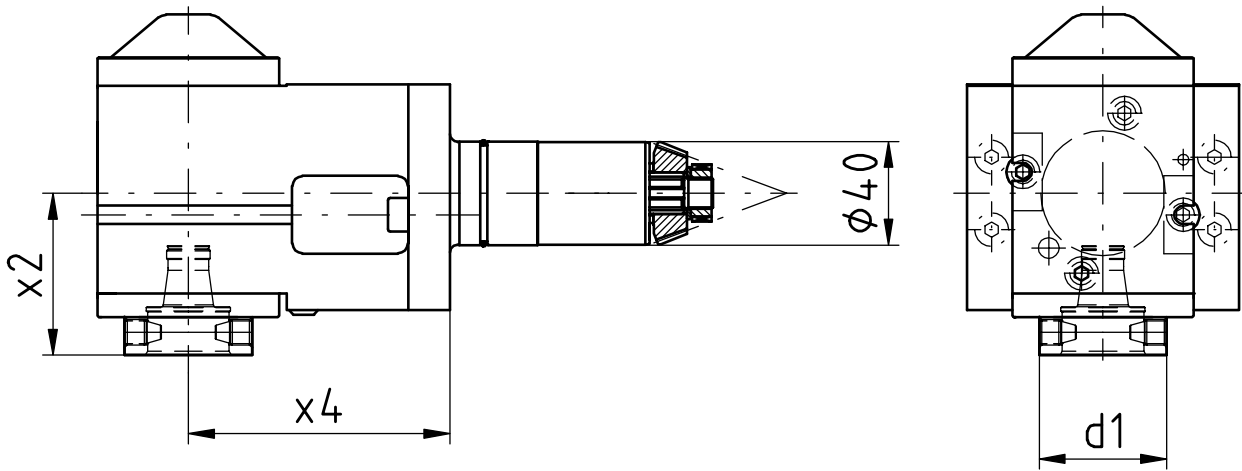
DMG MORI - SPRINT

Radial Bohr- und Fräskopf

Radial drilling and milling head

Outil de perçage et de fraisage radiale

WG 35



[mm]	[mm]	[mm]	Spindle Broche	[Nm]	[rpm]		Outside cooling Lubrificat. ext.	Internal cooling Lubrificat. cent.	[bar]	Order no. N° de Code
d1	x2	x4	Spindel	T max	n max	i	Aussenkühlung	Innenkühlung	p	Bestellnummer
50	62,5	101	WFB 32-20	70	8.000	1:1	x			MPU.Z40.B32.RA0.GITAL
50	62,5	101	WFB 32-20	70	8.000	1:1	x	x	80	MPU.Z40.B32.RE0.GITAL

Passend für Maschine: Sprint 42|10 linear
suitable machines: Speed 32|10 linear
approprié pour la machine:

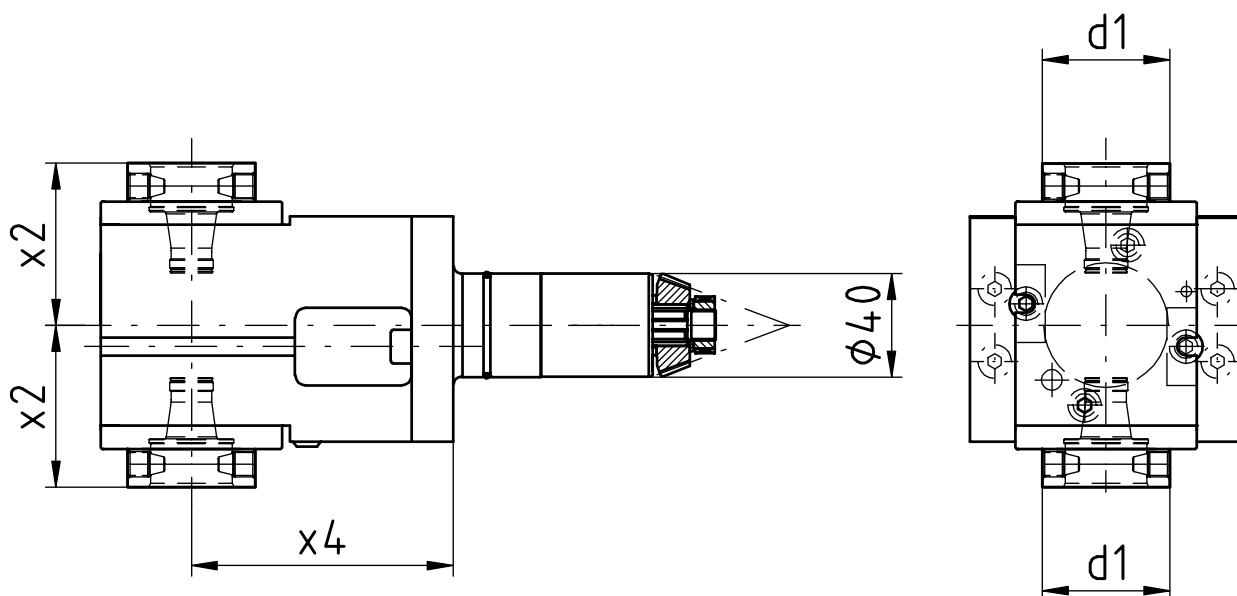
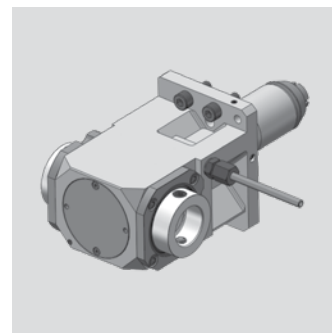
DMG MORI - SPRINT

Radial Bohr- und Fräskopf

Radial drilling and milling head

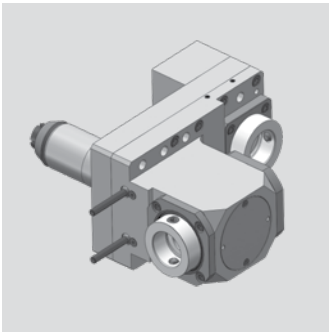
Outil de perçage et de fraisage radiale

WG 35



[mm]	[mm]	[mm]	Spindle Broche	[Nm]	[rpm]		Outside cooling Lubrificat. ext.	Internal cooling Lubrificat. cent.	[bar]	Order no. N° de Code
d1	x2	x4	Spindel	T max	n max	i	Aussenkühlung	Innenkühlung	p	Bestellnummer
50	62,5	101	WFB 32-20	70	8.000	1:1	x			MPU.Z40.B32.2A0.GITAL

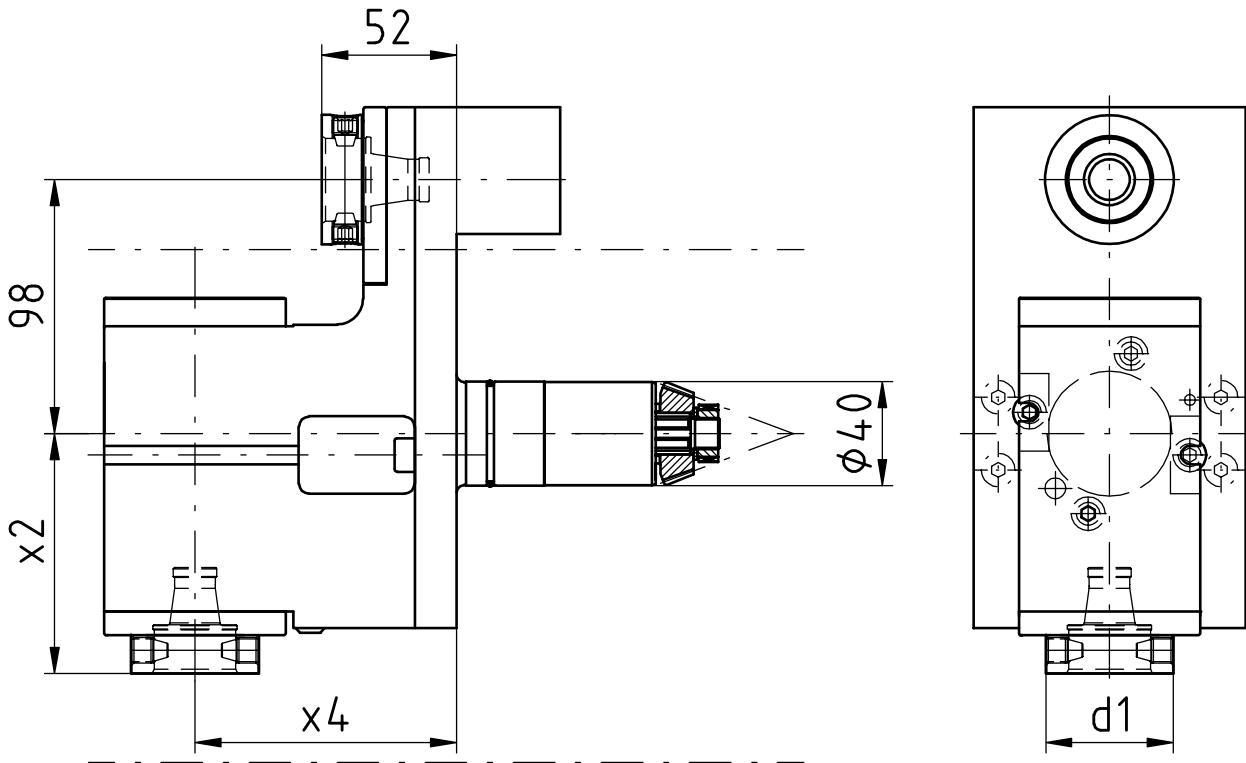
Passend für Maschine: Sprint 42110 linear
 suitable machines:
 approprié pour la machine: Speed 32110 linear



DMG MORI - SPRINT

Radial Bohr- und Fräskopf
 Radial drilling and milling head
 Outil de perçage et de fraisage radiale

WG 35



[mm]	[mm]	[mm]	Spindle Broche Spindel	[Nm] T max	[rpm] n max		Outside cooling Lubrificat. ext. Aussenkühlung	Internal cooling Lubrificat. cent. Innenkühlung	[bar] p	Order no. N° de Code Bestellnummer
d1	x2	x4			i					
50	92,5	101	WFB 32-20	70	8.000	1:1	x			MPU.Z40.B32.OA0.GITAL
50	92,5	101	WFB 32-20	70	8.000	1:1	x	x	80	MPU.Z40.B32.OE0.GITAL

Passend für Maschine: Sprint 42|10 linear
 suitable machines: Speed 32|10 linear
 approprié pour la machine: