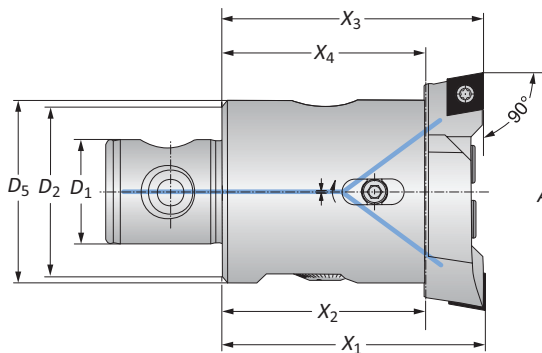



Boring Heads and Insert Holders

Diameter Range: 24.50 mm - 201.00 mm



COMBI LINE



Connection	Boring Range	Boring Head					Weight	Insert Form	Part No.		
		$D_2 D_1$	A	X_1	X_3	X_2			X_4	D_5	(x2)* Insert Holder**
	22 - 11	24.50 - 29.50	46.00	45.75	34.00	33.75	-	0.10 (kg)	101	402029	401003
	25 - 14	29.00 - 37.00	56.00	55.75	41.00	40.75	26.00	0.20 (kg)	101	402009	401004
	25 - 14	29.00 - 37.00	56.00	55.75	41.00	40.75	26.00	0.20 (kg)	103	402011	401004
	25 - 14	36.00 - 44.00	56.00	55.75	41.00	40.75	30.00	0.30 (kg)	101	402017	401005
	25 - 14	36.00 - 44.00	56.00	55.75	41.00	40.75	30.00	0.30 (kg)	103	402019	401005
	32 - 18	43.00 - 54.00	66.00	65.70	48.00	47.70	34.00	0.40 (kg)	103	402021	401006
	40 - 22	53.00 - 66.00	75.00	74.70	55.00	54.70	-	0.70 (kg)	103	402005	401007
	50 - 28	65.00 - 83.00	75.00	74.70	55.00	54.70	-	1.10 (kg)	103	402013	401008
	63 - 36	82.00 - 103.00	90.00	89.70	70.00	69.70	-	2.20 (kg)	103	402001	401009
	80 - 36	102.00 - 127.00	90.00	89.70	66.00	65.70	85.00	3.00 (kg)	103	402025	401010
	80 - 36	127.00 - 152.00	90.00	89.70	66.00	65.70	85.00	3.10 (kg)	103	402026	401010
	80 - 36	151.00 - 176.00	90.00	89.70	66.00	65.70	134.00	3.80 (kg)	103	402025	401011
	80 - 36	176.00 - 201.00	90.00	89.70	66.00	65.70	134.00	3.90 (kg)	103	402026	401011

* (2) insert holders are required
 ** Insert holders sold individually

Key on B10-C-1

B10-M: 12-13

B10-C: 6

B10-F

B10-H

B10: VI-VII

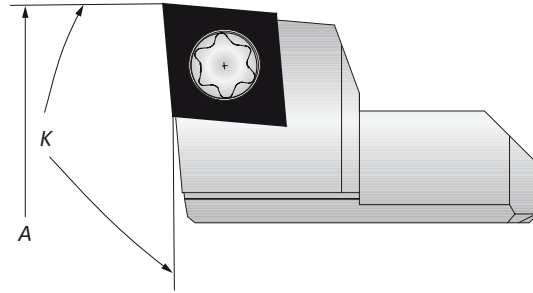
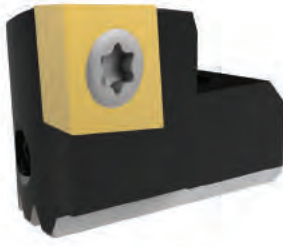
 = Metric (mm)

Inserts sold separately

IMPORTANT: Max spindle speed refers to maximum possible speed for an individual boring head and is not a recommended parameter. Refer to page B10-M: 12 for recommended application-specific parameters. Factory technical assistance is available for your specific applications through our Application Engineering department.
 email: engineering.eu@alliedmachine.com

90° and 95° Approach Angle Same Level Insert Holders - Form 101 and 103

Diameter Range: 0.965" - 7.913" (24.51mm - 200.90mm)



Boring Tool	Boring Range A	90° Insert Holder			95° Insert Holder		
		K	Insert Form	Part No.	K	Insert Form	Part No.
401003	24.51 - 29.48	90°	101	K32616	95°	101	K32618
401004	29.00 - 37.00	90°	103	K31372	95°	103	K31403
401005	35.99 - 43.99	90°	103	K31373	95°	103	K31404
401006	43.00 - 54.00	90°	103	K31374	95°	103	K31405
401007	53.00 - 65.98	90°	103	K31375	95°	103	K31406
401008	64.99 - 83.00	90°	103	K31376	95°	103	K31407
401009	81.99 - 102.90	90°	103	K31377	95°	103	K31408
401010	102.00 - 127.00	90°	103	K31628	95°	103	K31632
401010	127.00 - 151.90	90°	103	K31630	95°	103	K31634
401011	151.00 - 200.90	90°	103	K31628	95°	103	K31632
401011	175.90 - 200.90	90°	103	K31630	95°	103	K31634

NOTE: Same level insert holders will still produce a 0.003" (0.0001 mm) step

B10-M: 12-13 B10-H B10: VI-VII

m = Metric (mm)
Inserts sold separately