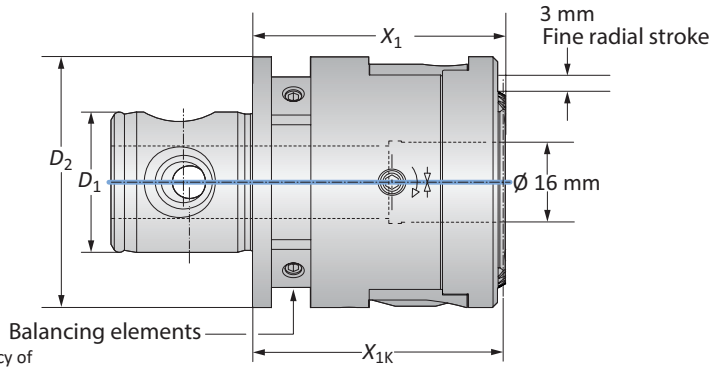
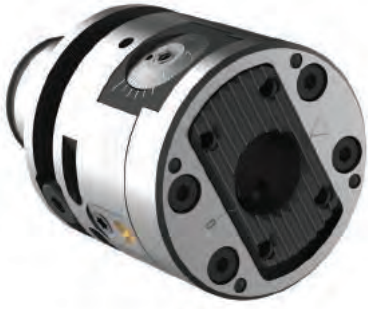


Digital 3E^{TECH+} Boring Head

Diameter Range: 0.40 mm - 152.00 mm



NOTE: Vernier adjustment accuracy of 0.002 mm on diameter

VarioBore Digital 3E^{TECH+} Boring Head

MVS Connection	Boring Head		Weight	Part No.
$D_2 D_1$	Boring Range	X_1	X_{1K}	
50 - 28	0.40 - 152.00	50.00	49.50	536002

NOTE: Balancing elements, 3E^{TECH+} digital readout module, and charging unit must be ordered separately.

NOTE: VarioBore heads are compatible with Kaiser® connection

3E^{TECH+} Digital Readout Module

Part No.	Charging Unit*
536015	536016

NOTE: WEEE-Reg.-Nr. DE 15820388

*Charging unit sold separately



NOTE: 3E^{TECH+} adjustment accuracy of 0.001 mm on diameter

Key on B10-A:1

B10-M: 12-13

B10-F

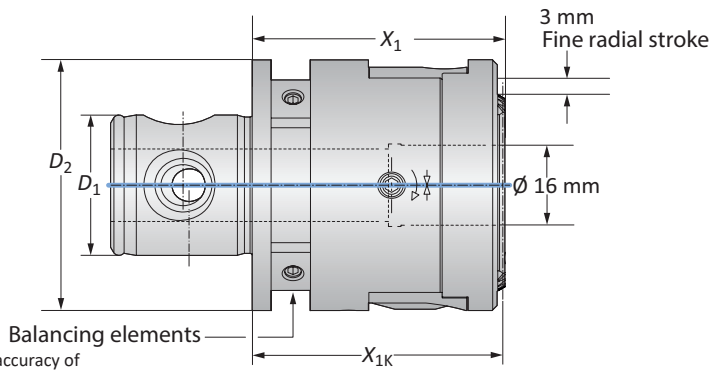
B10: VI-VII

m = Metric (mm)

IMPORTANT: Max spindle speed refers to maximum possible speed for an individual boring head and is not a recommended parameter. Refer to page B10-M: 12 for recommended application-specific parameters. Factory technical assistance is available for your specific applications through our Application Engineering department.
 email: engineering.eu@alliedmachine.com


Non-Digital Boring Head

Diameter Range: 0.40 mm - 152.00 mm



NOTE: Vernier adjustment accuracy of 0.002 mm on diameter

VarioBore Non-Digital Boring Head

MVS Connection		Boring Head			Weight	Part No.
D_2 D_1	Boring Range	X_1	X_{1K}			
 50 - 28	0.40 - 152.00	50.00	49.50	0.70 (kg)	536001	

NOTE: Balancing elements must be ordered separately.

NOTE: VarioBore heads are compatible with Kaiser® connection

Key on B10-A-1

B10-M: 12-13

B10-F

B10: VI-VII

 = Metric (mm)

IMPORTANT: Max spindle speed refers to maximum possible speed for an individual boring head and is not a recommended parameter. Refer to page B10-M: 12 for recommended application-specific parameters. Factory technical assistance is available for your specific applications through our Application Engineering department.
 email: engineering.eu@alliedmachine.com