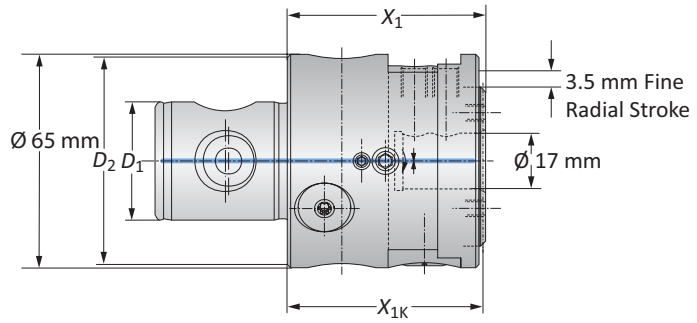


Boring Heads

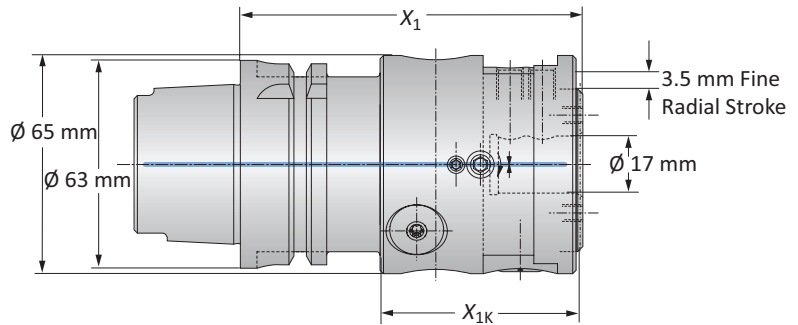
Diameter Range: 3.00 mm - 208.00 mm



NOTE: Adjustment accuracy of 0.002 mm on diameter

DigiBore Boring Heads

MVS Connection	Boring Range	Boring Head		Weight	Part No.
		X_1	X_{1K}		
$D_2 D_1$					
50 - 28	3.00 - 208.00	60.00	59.50	1.30 (kg)	501005
63 - 36	3.00 - 208.00	60.00	59.50	1.50 (kg)	501001



NOTE: Adjustment accuracy of 0.002 mm on diameter

DigiBore Boring Heads

Connection	Boring Range	Boring Head		Weight	Part No.
		X_1	X_{1K}		
HSK-A 63	3.00 - 208.00	102.00	59.50	2.10 (kg)	501004
PSC 63 (Polygon Shank)	3.00 - 208.00	102.00	59.50	2.10 (kg)	501019

B10-M: 12-13 B10-F B10: VI-VII

Ⓜ = Metric (mm)

IMPORTANT: Max spindle speed refers to maximum possible speed for an individual boring head and is not a recommended parameter. Refer to page B10-M: 12 for recommended application-specific parameters. Factory technical assistance is available for your specific applications through our Application Engineering department.
 email: engineering.eu@alliedmachine.com

A
B
C
D
E
F
G
H
I
J
K
L
M
INDEX