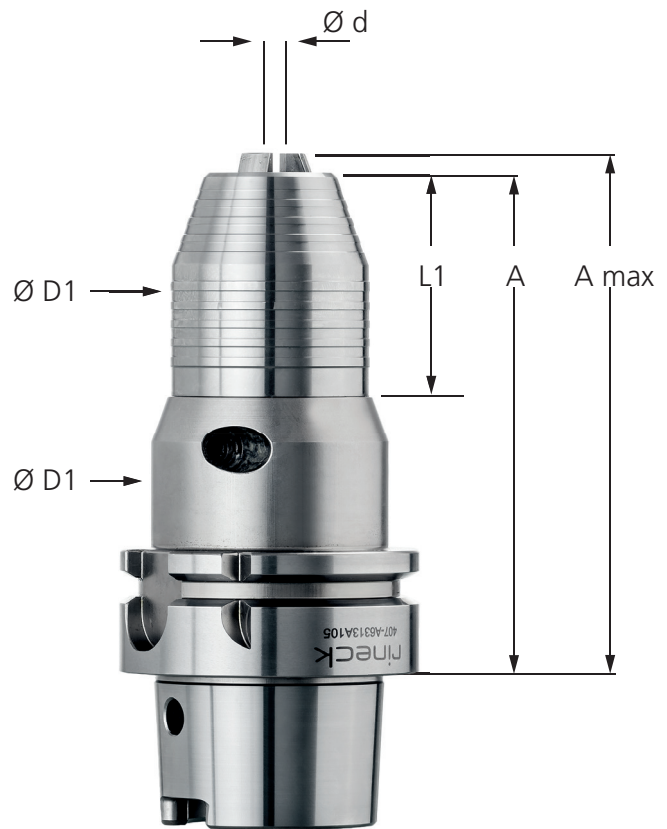


# HSK A40 - A100

für Rechts- und Linkslauf  
for clockwise  
and anti clockwise rotation  
Per rotazione oraria  
ed anti-oraria



69893-1

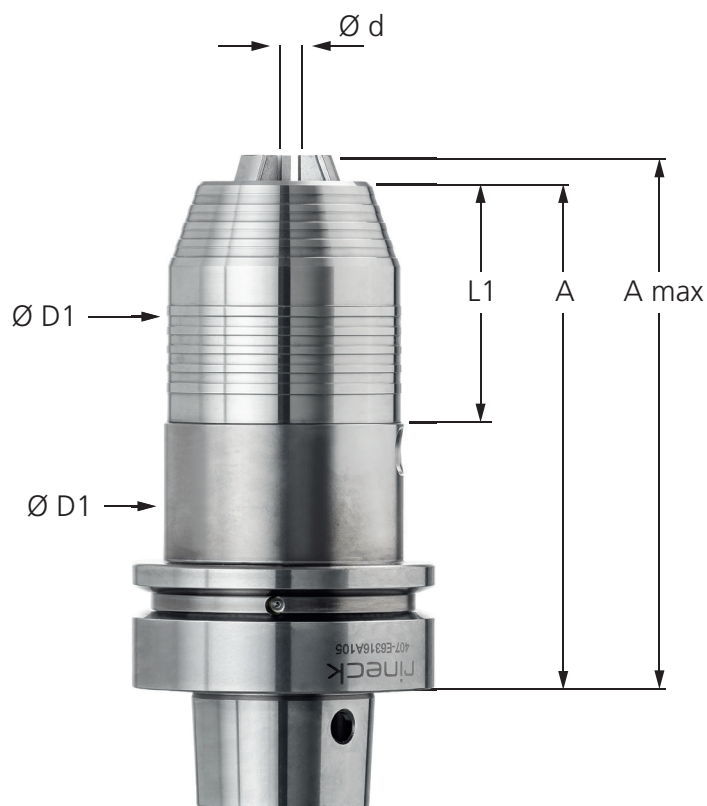


Bestell-Nr.	HSK	Spannbereich Ø d	A	A max	Ø D1	Ø D2	L
order number Codice articolo		clamping range Campo di serraggio					
407 - A4008A95	A40	0,5 - 8,0	95,0	97,5	34,5	45,0	40,0
407 - A5008A100	A50	0,5 - 8,0	100,0	102,5	34,5	45,0	40,0
407 - A5013A110	A50	1,0 - 13,0	110,0	119,0	42,0	50,0	47,0
407 - A5016A110	A50	2,5 - 16,0	110,0	121,0	49,0	50,0	50,0
407 - A6308A92	A63	0,5 - 8,0	92,0	94,5	34,5	45,0	40,0
407 - A6313A105	A63	1,0 - 13,0	105,0	114,0	42,0	50,0	47,0
407 - A6313A160	A63	1,0 - 13,0	160,0	169,0	42,0	50,0	47,0
407 - A6316A105	A63	2,5 - 16,0	105,0	116,0	49,0	50,0	50,0
407 - A8013A105	A80	1,0 - 13,0	105,0	114,0	42,0	50,0	47,0
407 - A8016A105	A80	2,5 - 16,0	105,0	116,0	49,0	50,0	50,0
407 - A10013A110	A100	1,0 - 13,0	110,0	119,0	42,0	50,0	47,0
407 - A10016A110	A100	2,5 - 16,0	110,0	121,0	49,0	50,0	50,0

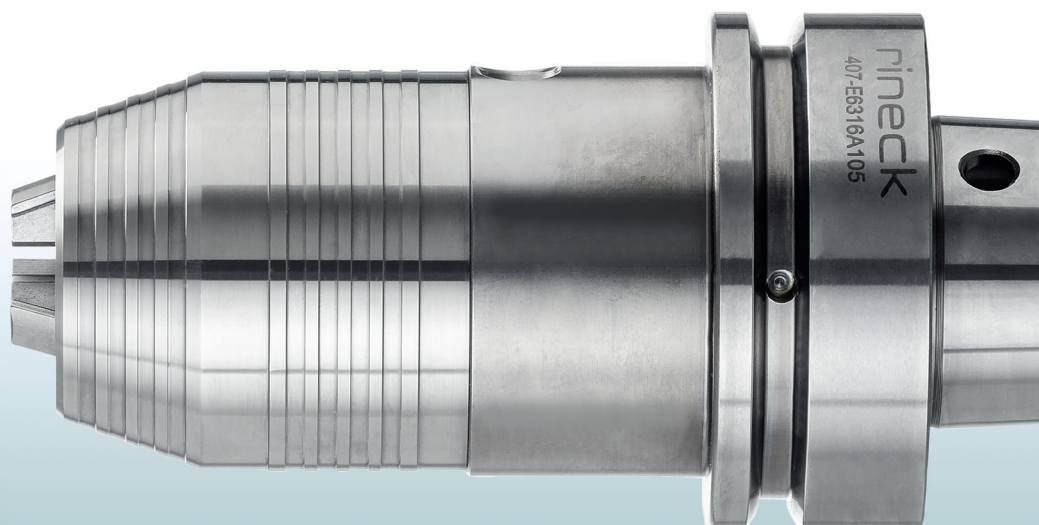
für Rechts- und Linkslauf  
for clockwise  
and anti clockwise rotation  
Per rotazione oraria  
ed anti-oraria



69893-5



Bestell-Nr.	HSK	Spannbereich Ø d	A	A max	Ø D1	Ø D2	L
order number Codice articolo		clamping range Campo di serraggio					
407 - E4008A95	E40	0,5 - 8,0	95,0	97,5	34,5	45,0	40,0
407 - E5008A100	E50	0,5 - 8,0	100,0	102,5	34,5	45,0	40,0
407 - E5013A110	E50	1,0 - 13,0	110,0	119,0	42,0	50,0	47,0
407 - E5016A110	E50	2,5 - 16,0	110,0	121,0	49,0	50,0	50,0
407 - E6313A105	E63	1,0 - 13,0	105,0	114,0	42,0	50,0	47,0
407 - E6316A105	E63	2,5 - 16,0	105,0	116,0	49,0	50,0	50,0

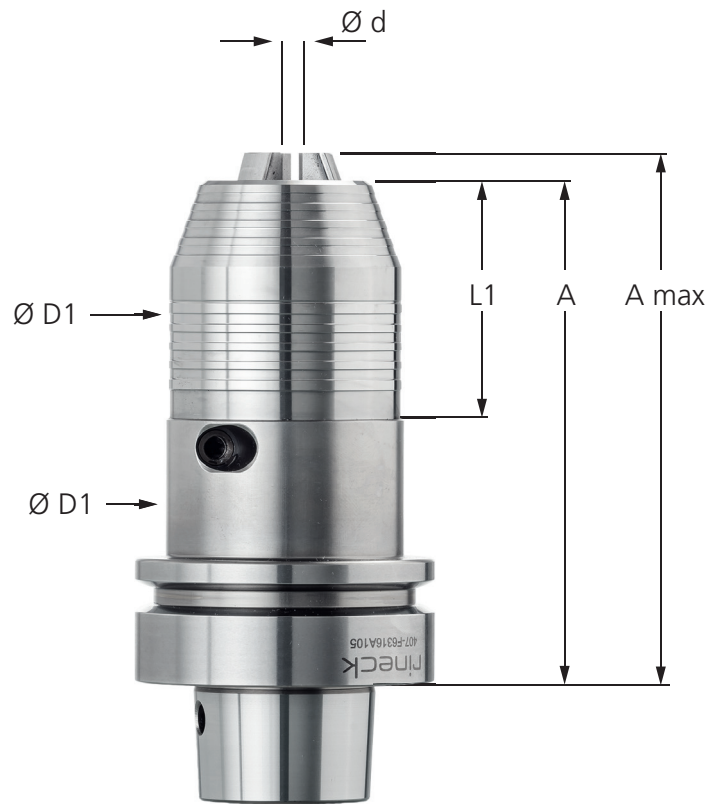


**HSK**  
**F40 - F63**

für Rechts- und Linkslauf  
for clockwise  
and anti clockwise rotation  
Per rotazione oraria  
ed anti-oraria



69893-6



Bestell-Nr.	HSK	Spannbereich Ø d	A	A max	Ø D1	Ø D2	L
order number Codice articolo		clamping range Campo di serraggio					
407 - F4008A95	F40	0,5 - 8,0	95,0	97,5	34,5	45,0	40,0
407 - F5008A100	F50	0,5 - 8,0	100,0	102,5	34,5	45,0	40,0
407 - F5013A110	F50	1,0 - 13,0	110,0	119,0	42,0	50,0	47,0
407 - F5016A110	F50	2,5 - 16,0	110,0	121,0	49,0	50,0	50,0
407 - F6313A105	F63	1,0 - 13,0	105,0	114,0	42,0	50,0	47,0
407 - F6316A105	F63	2,5 - 16,0	105,0	116,0	49,0	50,0	50,0

