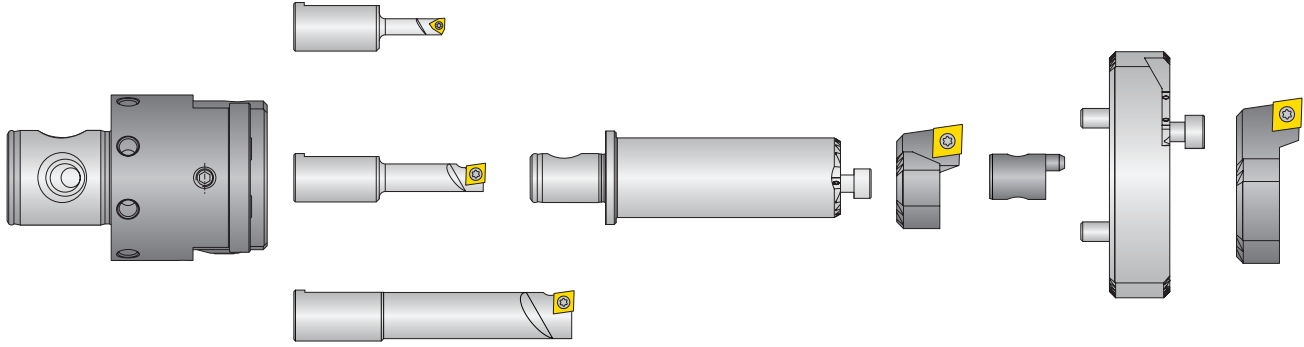


Kit Components

Form 101 | Diameter Range: 6.00 mm - 128.00 mm



Diameter Range: 6.00 mm - 128.00 mm

Kit Components										
Boring Head	Boring Bars		Insert Holders		Serrated Tool Body	Serrated Slide	Coolant Delivery Section	Service Keys	Kit No.	
	Boring Range	Part No.	Boring Range	Part No.						
m 450001	6.00 - 10.00	450026 (Form 211)	24.00 - 40.00	450022	450021	450024	450125	003195 (s4) 515451 (T6) 515452 (T8)	103088	
	10.00 - 16.00	450027 (Form 101)	40.00 - 65.00	450023						
	16.00 - 24.00	450028 (Form 101)								

NOTE: Inserts sold separately



B10-M: 12-13
B10-H
B10: VI-VII

Key on B10-A: 1

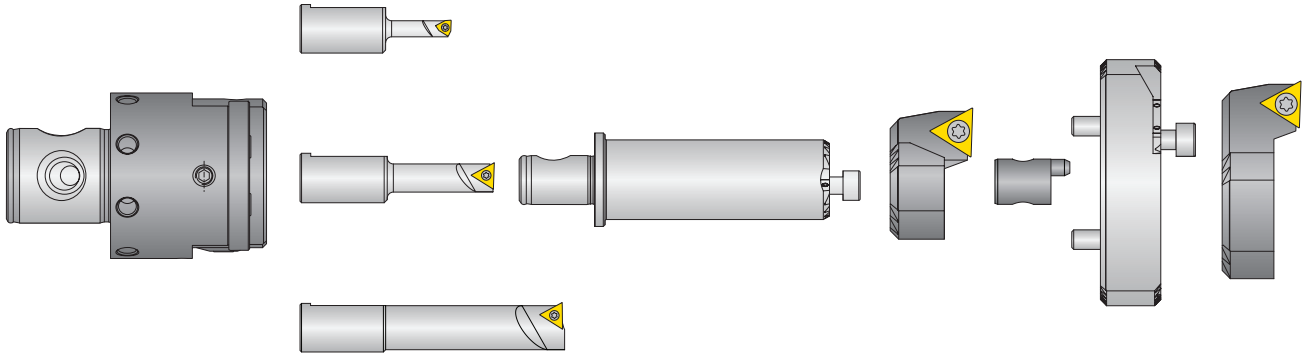
m = Metric (mm)

Inserts sold separately

IMPORTANT: Max spindle speed refers to maximum possible speed for an individual boring head and is not a recommended parameter. Refer to page B10-M: 12 for recommended application-specific parameters. Factory technical assistance is available for your specific applications through our Application Engineering department.
 email: engineering.eu@alliedmachine.com

Kit Components

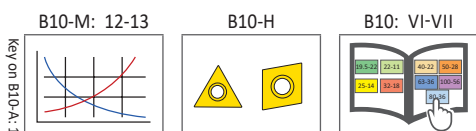
Form 20 | Diameter Range: 6.00 mm - 128.00 mm



Diameter Range: 6.00 mm - 128.00 mm

Kit Components										
Boring Head	Boring Bars		Insert Holders		Serrated Tool Body	Serrated Slide	Coolant Delivery Section	Service Keys	Kit No.	
	Boring Range	Part No.	Boring Range	Part No.						
Ⓜ	450001	6.00 - 10.00	450026 (Form 211)	24.00 - 40.00	450040	450021	450024	450125	003195 (s4)	103089
		10.00 - 16.00	450038 (Form 20)	40.00 - 65.00	450041				515451 (T6)	
		16.00 - 24.00	450039 (Form 20)						515453 (T7)	

NOTE: Inserts sold separately



Ⓜ = Metric (mm)

Inserts sold separately

IMPORTANT: Max spindle speed refers to maximum possible speed for an individual boring head and is not a recommended parameter. Refer to page B10-M: 12 for recommended application-specific parameters. Factory technical assistance is available for your specific applications through our Application Engineering department.
 email: engineering.eu@alliedmachine.com