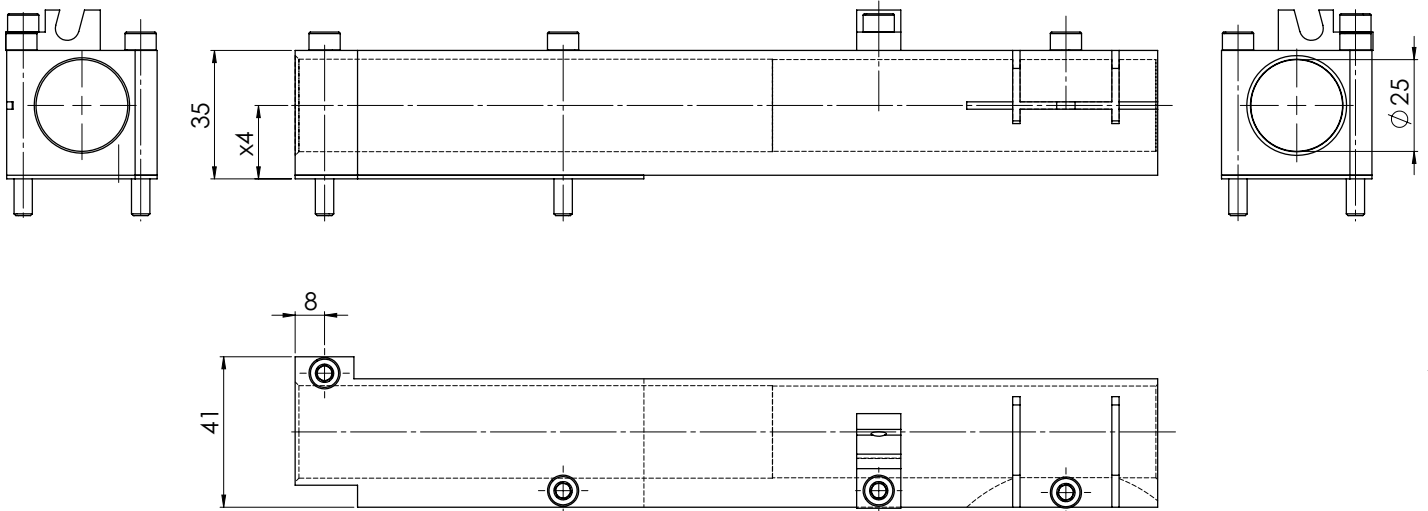


Tornos EvoDECO 10

Basishalter
basic holder
Support de base

WG 35

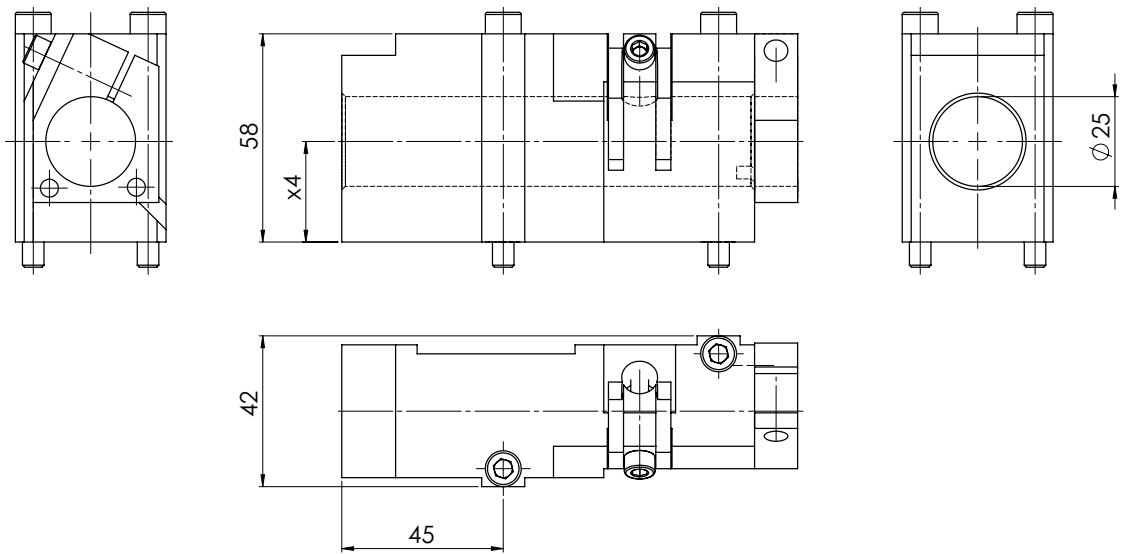
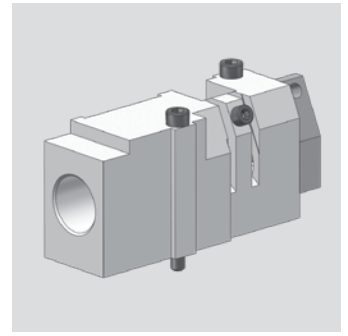


[mm]	Spindle	[Nm]	[rpm]	Outside cooling	Internal cooling	[bar]	Order no.
x4	Broche	T max	n max	i	Lubrificat. ext.	Lubrificat. cent.	N° de Code
	Spindel				Aussenkühlung	Innenkühlung	Bestellnummer

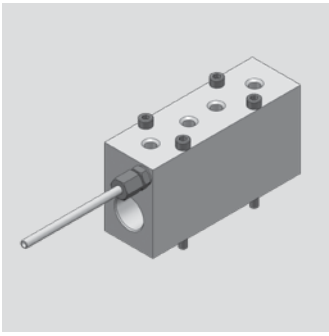
Tornos EvoDECO 13

Basishalter
basic holder
Support de base

WG 35



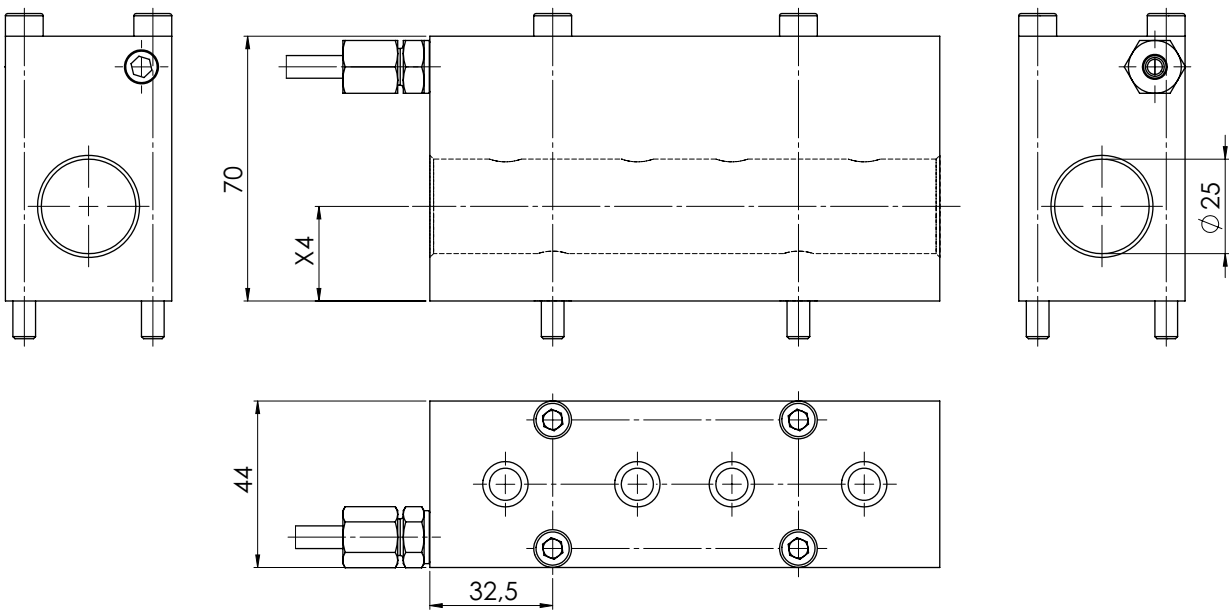
[mm]	Spindle Broche	[Nm]	[rpm]	Outside cooling Lubrificat. ext.	Internal cooling Lubrificat. cent.	[bar]	Order no. N° de Code
x4	Spindel	T max	n max	i	Aussenkühlung Innenkühlung	p	Bestellnummer



Tornos EvoDECO 20

Basishalter
basic holder
Support de base

WG 35

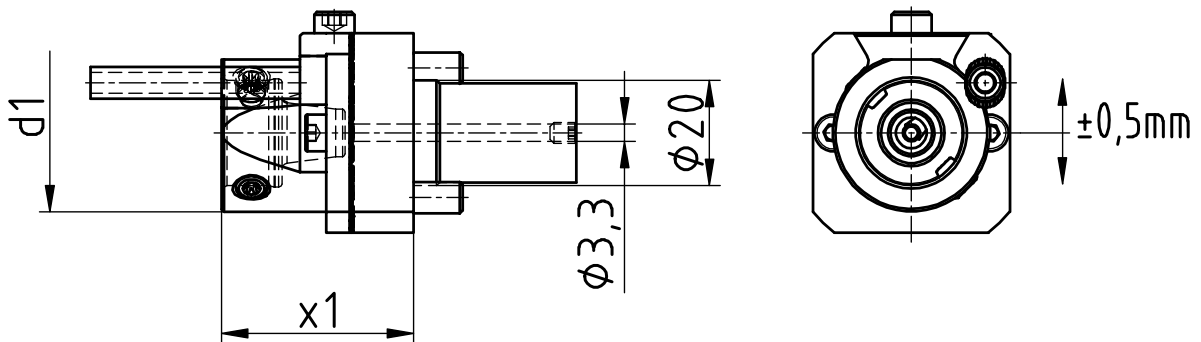
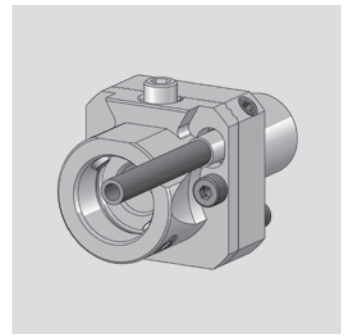


[mm]	Spindle Broche Spindel	[Nm] T max	[rpm] n max i	Outside cooling Lubrificat. ext. Aussenkühlung	Internal cooling Lubrificat. cent. Innenkühlung	[bar] p	Order no. N° de Code Bestellnummer
x4							

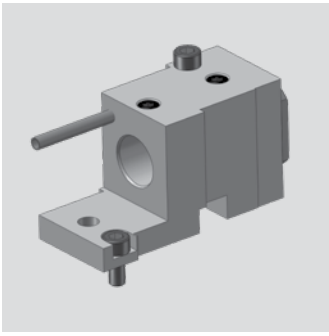
Tornos Swiss Baureihe

Modularer Basishalter (Y-Versatz ausgleichbar)
 modular basic holder (Y offset compensated)
 Support de base modulaire (Y décalage)

WG 35



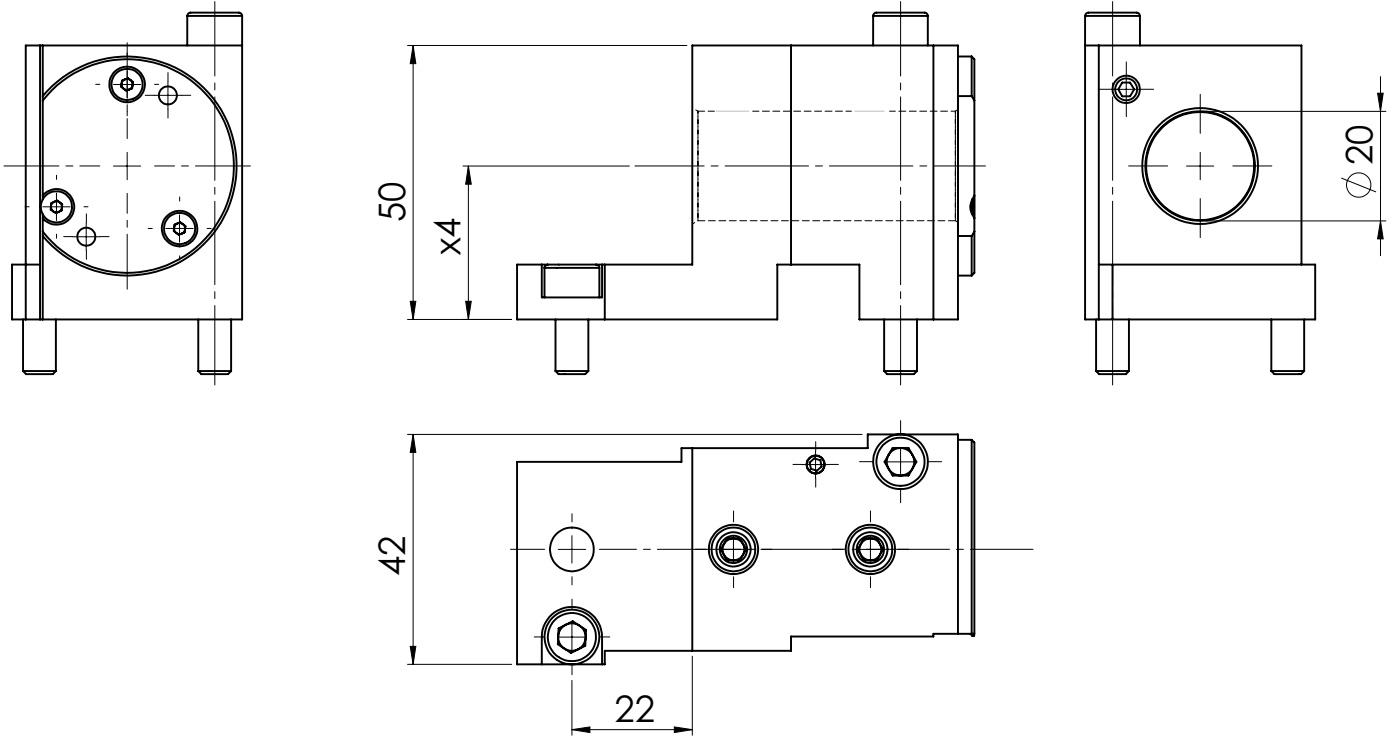
[mm]	[mm]	[mm]	[mm]	Spindle Broche	[Nm]	[rpm]		Outside cooling Lubrificat. ext.	Internal cooling Lubrificat. cent.	[bar]	Order no. N° de Code
d1	d2	x1	L1	Spindel	T max	n max	i	Aussenkühlung	Innenkühlung	p	Bestellnummer
30	20	36,5	31	WFB 20-12				x	x		WFB.020.SHT.DGST.R



Tornos Swiss Baureihe

Modularer Basishalter
 modular basic holder
 Support de base modulaire

WG 35



[mm]	Spindle Broche Spindel	[Nm] T max	[rpm] n max	i	Outside cooling Lubrificat. ext. Aussenkühlung	Internal cooling Lubrificat. cent. Innenkühlung	[bar] p	Order no. N° de Code Bestellnummer
x4					x	x		WFE.020.H28.DGST

Passende Rundschaftaufnahmen siehe Seite 9.1
 matching round shanks see page 9.1

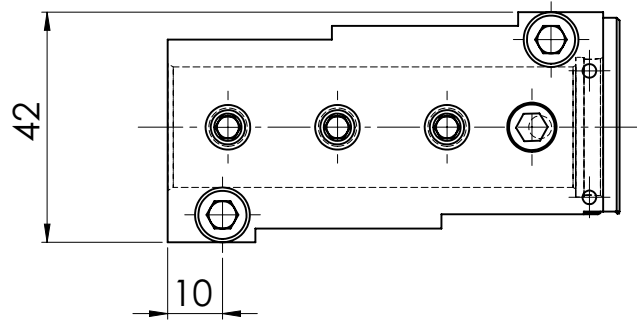
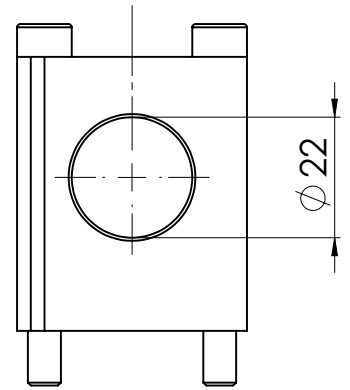
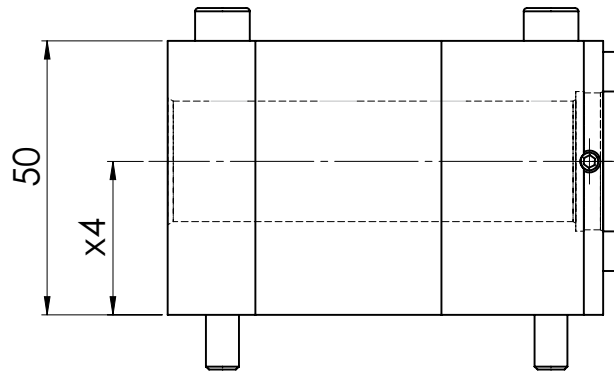
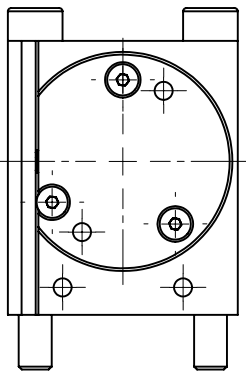
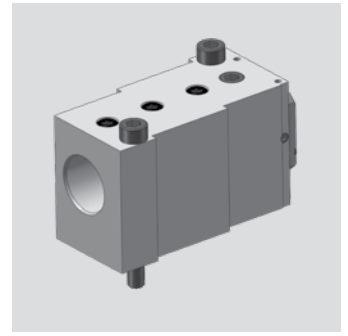
Tornos Swiss Baureihe

Modularer Basishalter

modular basic holder

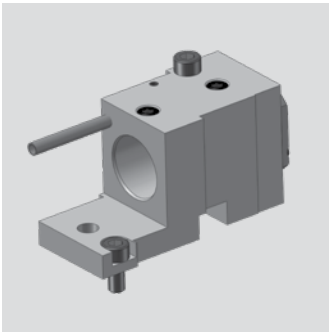
Support de base modulaire

WG 35



[mm]	Spindle Broche Spindel	[Nm] T max	[rpm] n max	i	Outside cooling Lubrificat. ext. Aussenkühlung	Internal cooling Lubrificat. cent. Innenkühlung	[bar] p	Order no. N° de Code Bestellnummer
x4								

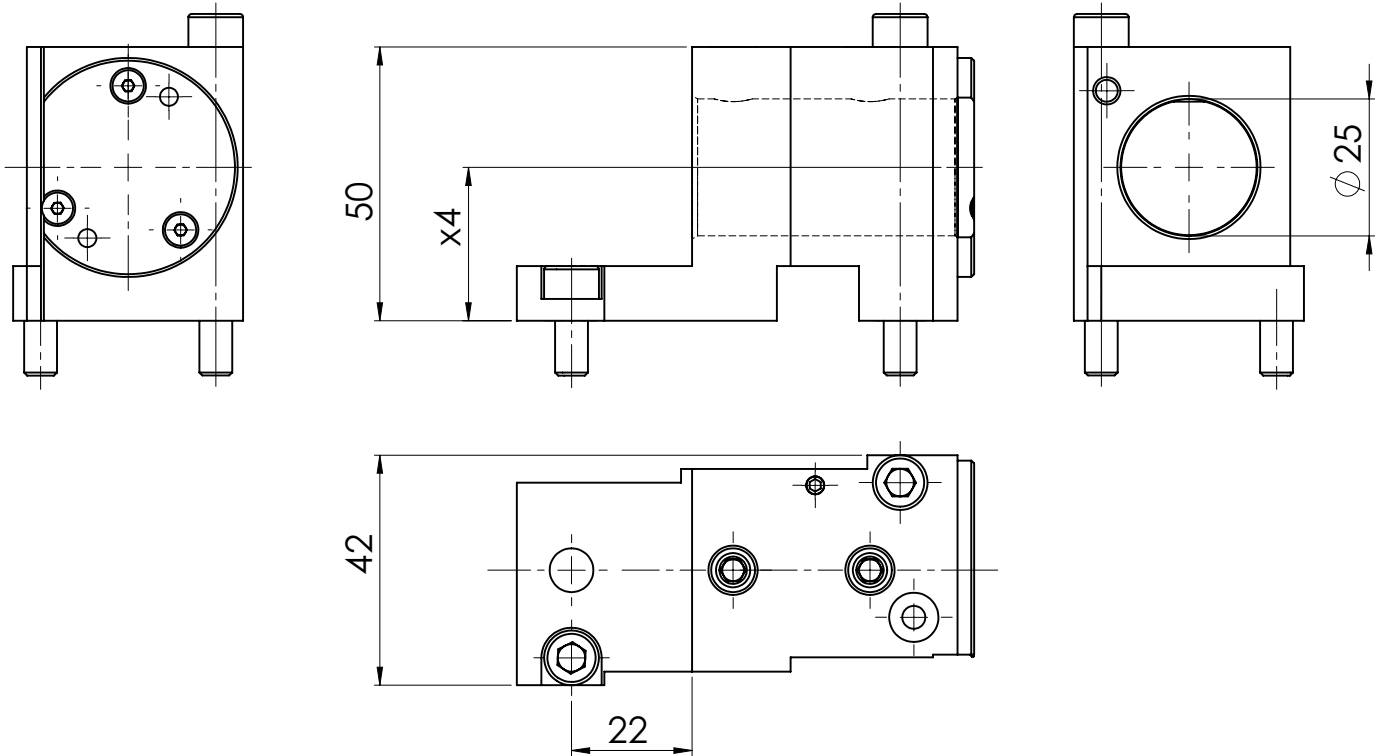
28					x	x		WFE.022.H28.DGST
----	--	--	--	--	---	---	--	------------------



Tornos Swiss Baureihe

Modularer Basishalter
 modular basic holder
 Support de base modulaire

WG 35



[mm]	Spindle Broche Spindel	[Nm] T max	[rpm] n max i	Outside cooling Lubrificat. ext. Aussenkühlung	Internal cooling Lubrificat. cent. Innenkühlung	[bar] p	Order no. N° de Code Bestellnummer
x4				x	x		WFE.025.H28.DGST

Passende Rundschaftaufnahmen siehe Seite 9.1
 matching round shanks see page 9.1

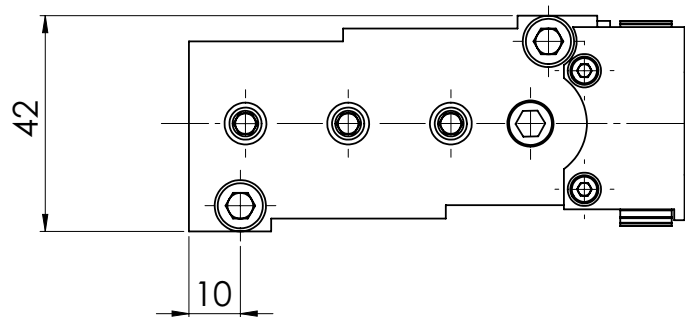
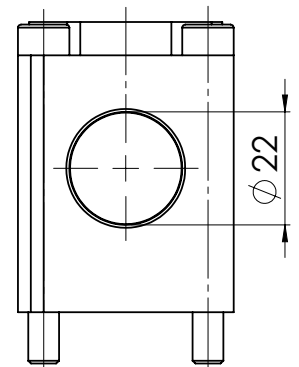
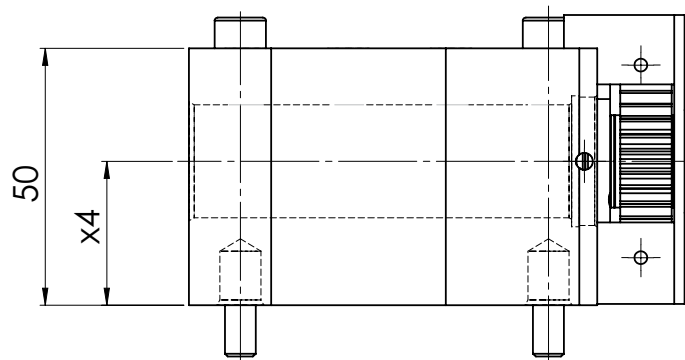
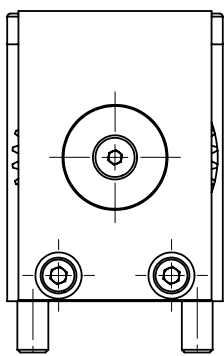
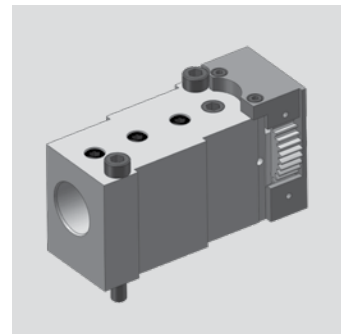
Tornos Swiss Baureihe

Modularer Basishalter

modular basic holder

Support de base modulaire

WG 35



[mm]	Spindle Broche	[Nm]	[rpm]	Outside cooling Lubrificat. ext.	Internal cooling Lubrificat. cent.	[bar]	Order no. N° de Code
x4	Spindel	T max	n max	i	Aussenkühlung Innenkühlung	p	Bestellnummer

28						x	MPU.TO.D22.H28.DGST
----	--	--	--	--	--	---	---------------------