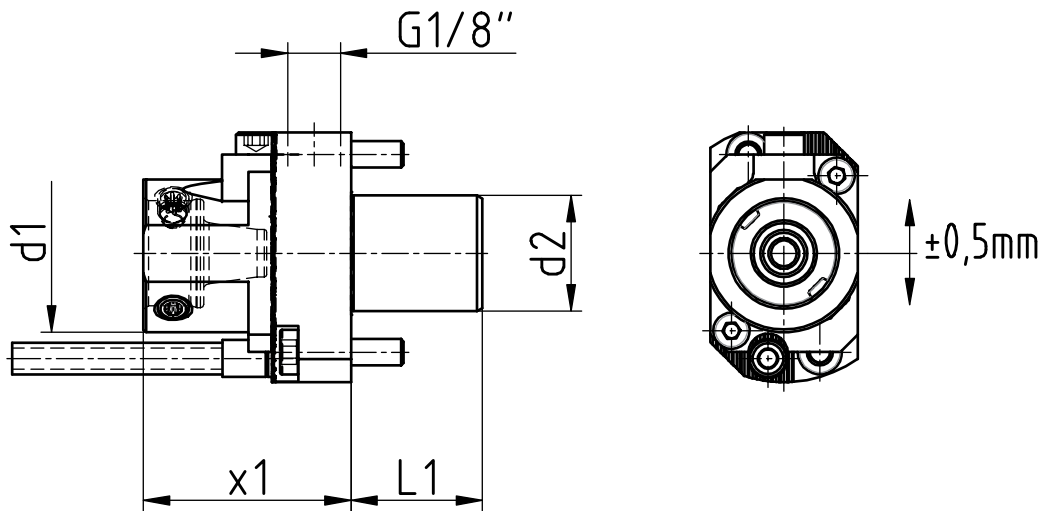
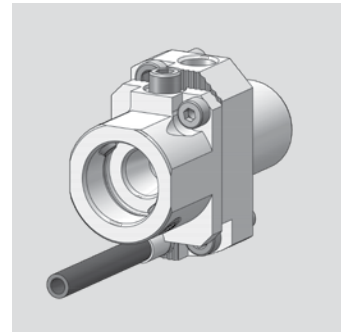


Star

Modularer Basishalter (Y-Versatz ausgleichbar)
 modular basic holder (Y offset compensated)
 Support de base modulaire (Y décalage)

WG 35



[mm]	[mm]	[mm]	[mm]	Spindle Broche	[Nm]	[rpm]		Outside cooling Lubrificat. ext.	Internal cooling Lubrificat. cent.	[bar]	Order no. N° de Code
d1	d2	x1	L1	Spindel	T max	n max	i	Aussenkühlung	Innenkühlung	p	Bestellnummer
30	22	39,5	25	WFB-20-12				x	x		WFB.020.SHT.541-61-00