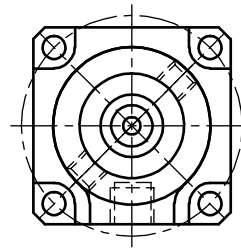
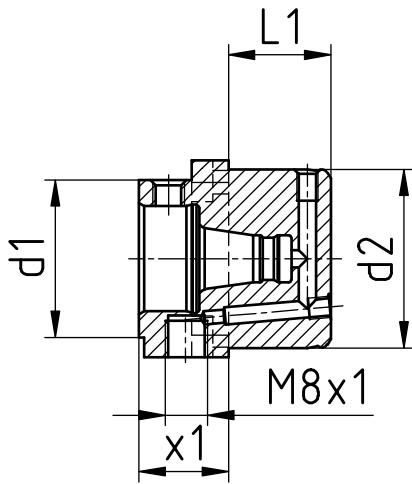


# Maier

**Modularer Basishalter**  
 modular basic holder  
 Support de base modulaire

**WG 35**



[mm]	[mm]	[mm]	[mm]	Spindle Broche	[Nm]	[rpm]		Outside cooling Lubrificat. ext.	Internal cooling Lubrificat. cent.	[bar]	Order no. N° de Code
<b>d1</b>	<b>d2</b>	<b>x1</b>	<b>L1</b>	<b>Spindel</b>	<b>T max</b>	<b>n max</b>	<b>i</b>	<b>Aussenkühlung</b>	<b>Innenkühlung</b>	<b>p</b>	<b>Bestellnummer</b>
30	34	17	19,5	WFB 20-12				x	x		WFB.020.SHT.Z34.019,5