

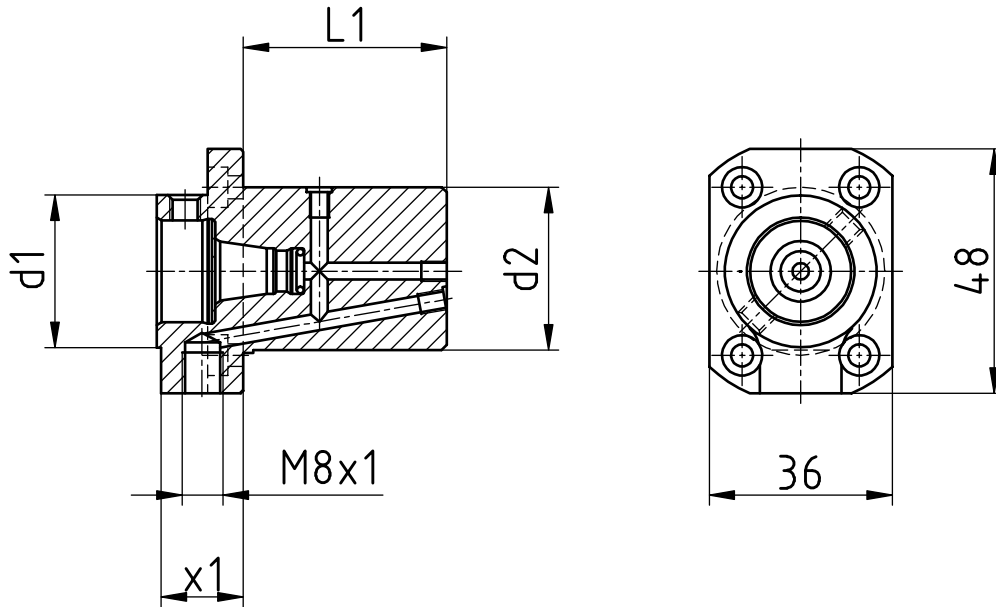
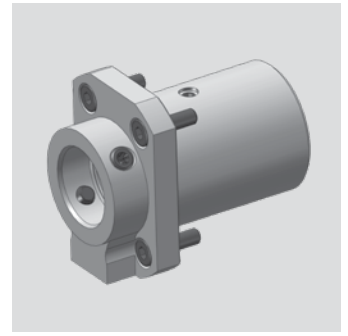
Hanwha

Modularer Basishalter

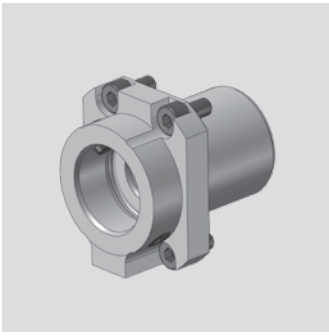
modular basic holder

Support de base modulaire

WG 35



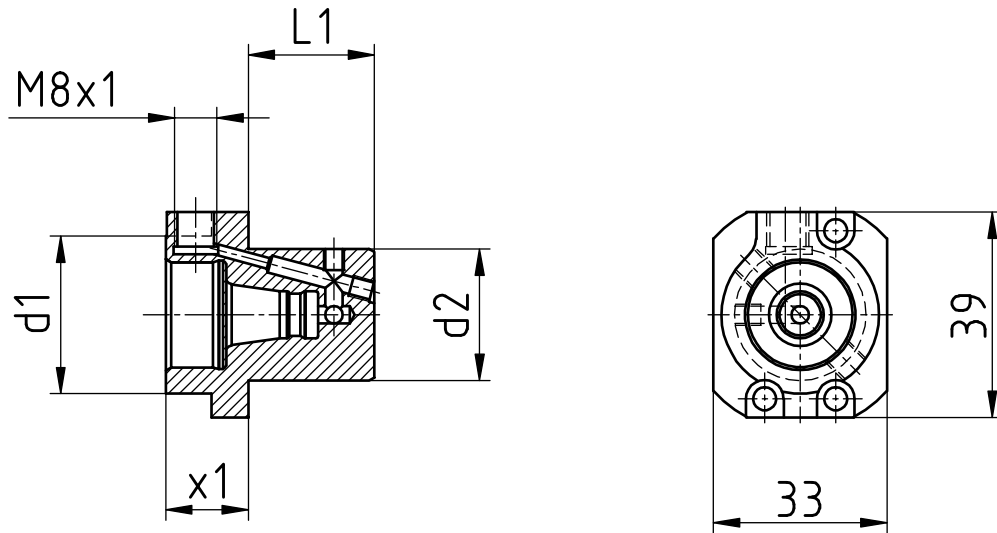
[mm]	[mm]	[mm]	[mm]	Spindle Broche Spindel	[Nm]	[rpm]		Outside cooling Lubrificat. ext. Aussenkühlung	Internal cooling Lubrificat. cent. Innenkühlung	[bar]	Order no. N° de Code Bestellnummer
d1	d2	x1	L1		T max	n max	i			p	
30	33	16	40	WFB 20-12				x	x		WFB.020.SHT.XD20.001



Hanwha

Modularer Basishalter
 modular basic holder
 Support de base modulaire

WG 35

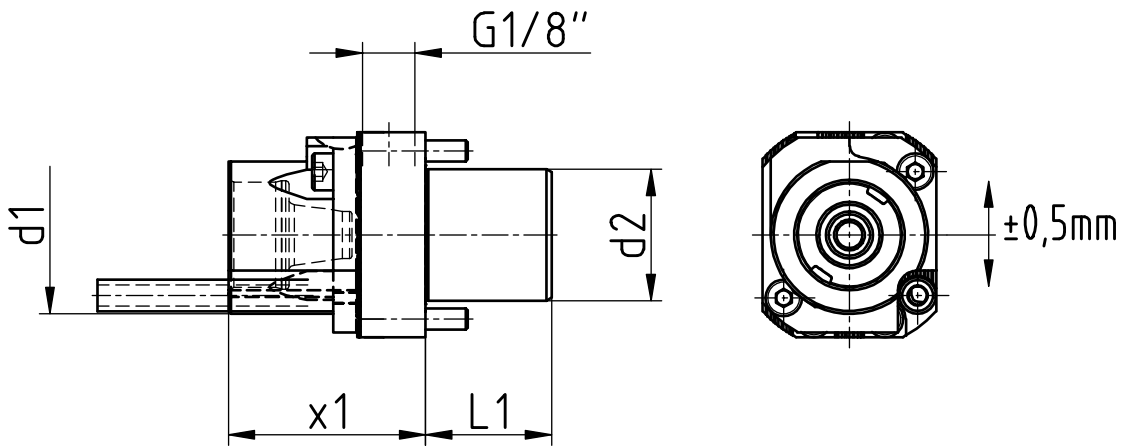
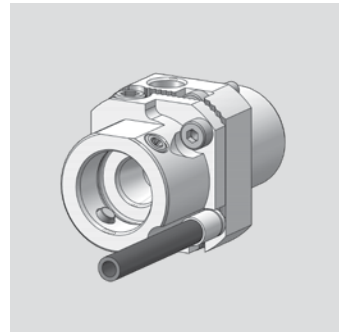


[mm]	[mm]	[mm]	[mm]	Spindle Broche	[Nm]	[rpm]		Outside cooling Lubrificat. ext.	Internal cooling Lubrificat. cent.	[bar]	Order no. N° de Code
d1	d2	x1	L1	Spindel	T max	n max	i	Aussenkühlung	Innenkühlung	p	Bestellnummer
30	25	15,7	24	WFB 20-12				x	x		WFB.020.SHT.XE20.R

Hanwha

Modularer Basishalter (Y-Versatz ausgleichbar)
 modular basic holder (Y offset compensated)
 Support de base modulaire (Y décalage)

WG 35



[mm]	[mm]	[mm]	[mm]	Spindle Broche Spindel	[Nm]	[rpm]		Outside cooling Lubrificat. ext. Aussenkühlung	Internal cooling Lubrificat. cent. Innenkühlung	[bar]	Order no. N° de Code Bestellnummer
d1	d2	x1	L1		T max	n max	i			p	
30	25	15,7	24	WFB 20-12				x	x		WFB.020.SHT.XE20.R