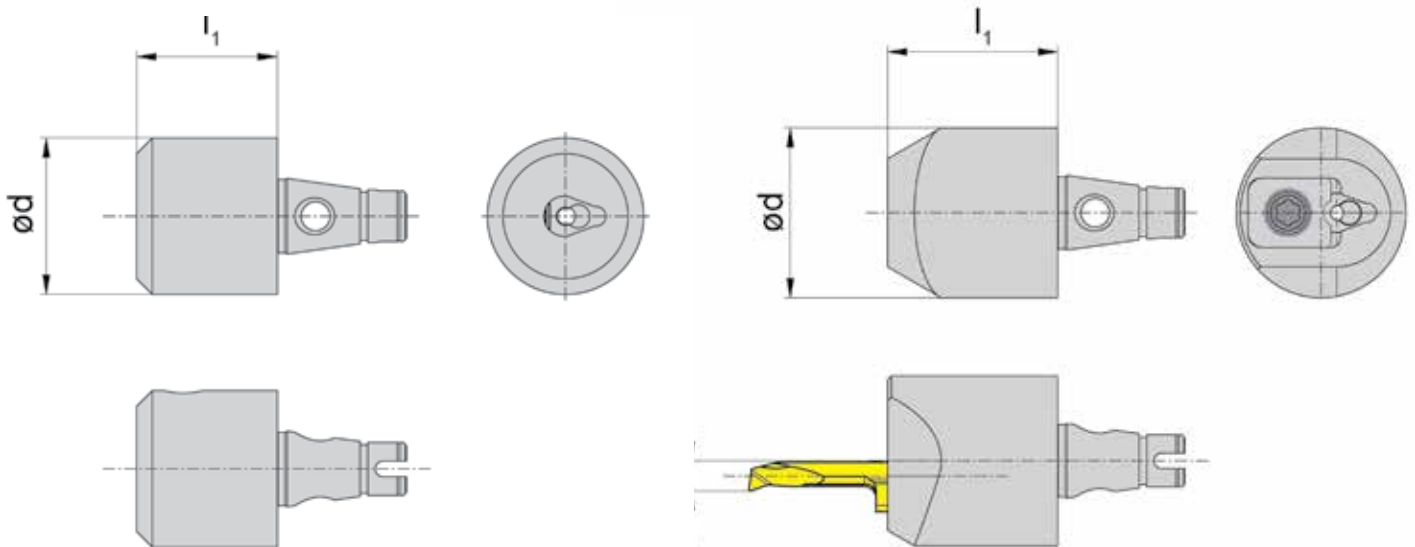


WFMS - Klemmhalter HORN Supermini[®] 105-110

WFMS - Toolholder HORN Supermini 105-110

WG 40



| fits for holder | [mm] | [mm] | [mm] | [mm] | Order no. |
|--------------------|------|------|------|------|-------------------|
| passend für Halter | d | l1 | f1 | *b | Bestellnummer |
| Ø 19,05-28 | 20 | 18 | - | - | WF.M.B105.IK |
| Ø 19,05-28 | 22 | 30 | - | - | WF.M.B110.IK |
| Ø 19,05-28 | 22 | 22 | 3,3 | 5,9 | WF.M.B105.S.03.IK |
| Ø 19,05-28 | 22 | 22 | 3,9 | 6,4 | WF.M.B105.S.04.IK |
| Ø 19,05-28 | 21 | 22 | 5,3 | 7,0 | WF.M.B105.S.05.IK |

*b = Schneidplattenhöhe

*b = Height of insert

Spare Parts

Ersatzteile

| Screw | Clamp | TORX PLUS Wrench | For torque specification Nm | Toolholder |
|---------------|--------------|---------------------|--|-----------------------------|
| Spannschraube | Spannelement | TORX PLUS-Schlüssel | Das Anzugsmoment der Schrauben ist Nm. | Klemmhalter |
| 6.075T15P | | T15PQ | 5 | WF.M.B105.IK / WF.M.B110.IK |
| | 010.0105.03 | T15PL | 2 | WF.M.B105.S.03.IK |
| | 010.0105.04 | T15PL | 2 | WF.M.B105.S.04.IK |
| | 010.0105.05 | T15PL | 2 | WF.M.B105.S.05.IK |