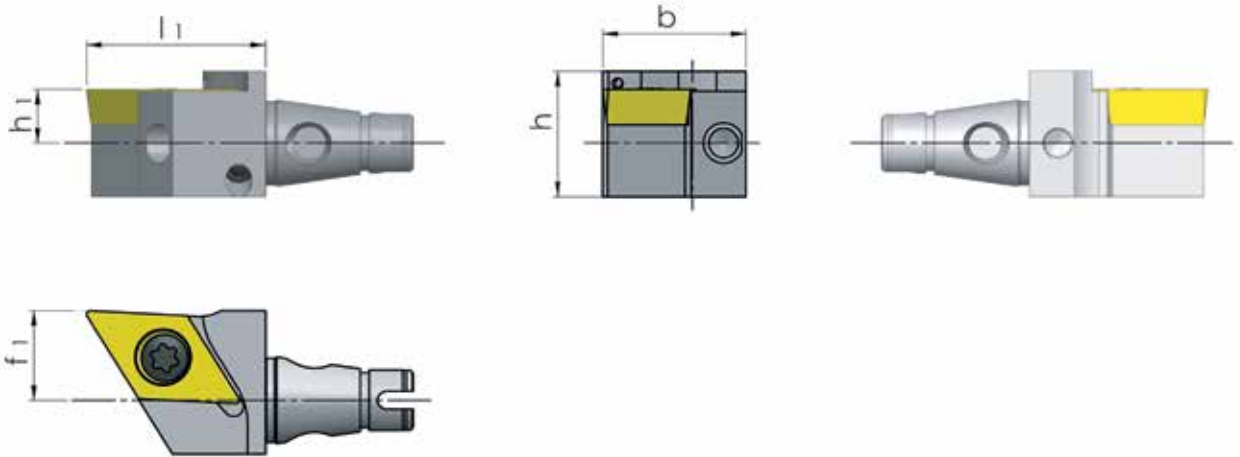
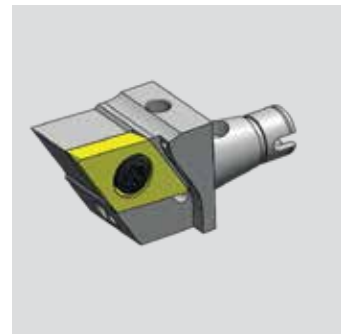


WFMS - modulare Drehhalter ISO D Typ

WFMS - modular turning holders
ISO D type

WG 40



fits for holder	[mm]	[mm]	[mm]	[mm]	[mm]	Order no.
passend für Halter	h	b	l1	h1	f1	Bestellnummer
10x10, 12x12, 1/2"x1/2"	14	16	20	6	6	WF.M.12.SDJCL.11.IK
10x10, 12x12, 1/2"x1/2"	14	16	20	6	6	WF.M.12.SDJCR.11.IK
10x10, 12x12, 1/2"x1/2"	14	16	25	6	0	WF.M.12.SDNCN.11.IK
16x16	18	18	20	8	8	WF.M.16.SDJCL.11.IK
16x16	18	18	20	8	8	WF.M.16.SDJCR.11.IK