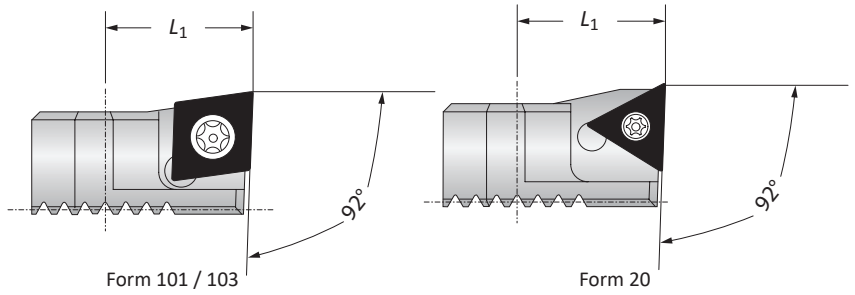
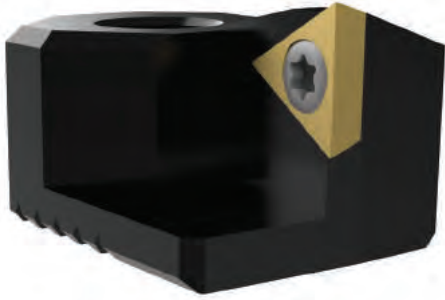


## Insert Holders for Abrasive Materials | Serrated Shims

Diameter Range: 53.00 mm - 205.00 mm

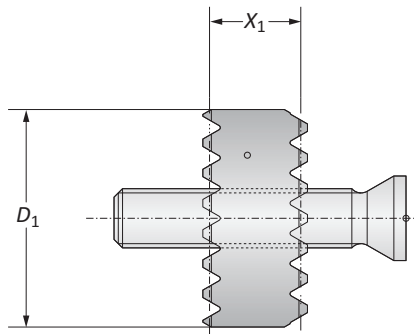


### Insert Holders

	Boring Range	Insert Holder $L_1$	Weight	Insert Form	Part No.
m	53.00 - 205.00	18.00	0.03 (kg)	20	<b>211061</b>
	53.00 - 205.00	18.00	0.03 (kg)	101	<b>211063</b>
	53.00 - 205.00	18.00	0.03 (kg)	103	<b>211065</b>

**NOTE:** Insert holders used for abrasive materials to protect boring head against chip wash

**NOTE:** When machining grey cast iron, we recommend using insert holders for abrasive materials with CBN inserts for optimised chip removal.



### Serrated Shims

	Boring Range	Additional Boring Range	Serrated Shim		Weight	Part No.	
			$X_1$	$D_1$		Serrated Shim & Screw	Replacement Screw
m	29.00 - 54.00	8.00	4.00	12.00	0.01 (kg)	<b>310070</b>	<b>415360</b>
	29.00 - 54.00	12.00	6.00	12.00	0.01 (kg)	<b>310071</b>	<b>415342</b>
	53.00 - 205.00	10.00	5.00	18.00	0.01 (kg)	<b>310074</b>	<b>515595</b>
	53.00 - 205.00	15.00	7.50	18.00	0.01 (kg)	<b>310075</b>	<b>515596</b>

