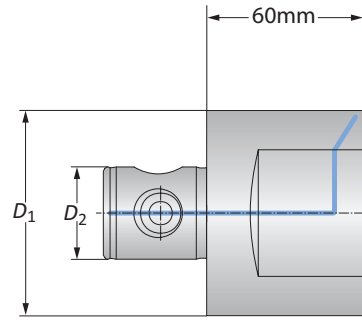


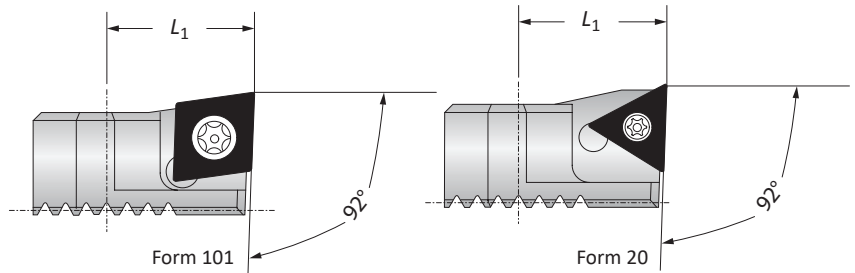
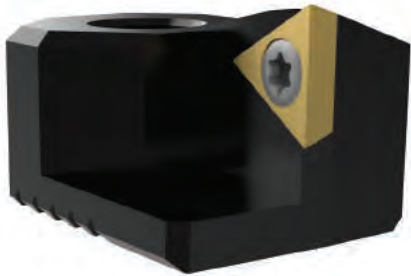
Serrated Tool Bodies | Insert Holders for Abrasive Materials

Diameter Range: 100.00 mm - 205.00 mm



Serrated Tool Bodies

MVS Connection		Serrated Tool Body	
	D_2 D_1	Boring Range	Part No.
m	80 - 36	100.00 - 155.00	148007
	80 - 36	150.00 - 205.00	148009



Insert Holders for Abrasive Materials

		Insert Holder			
		L_1	Weight	Insert Form	Part No.
m	100.00 - 205.00	18.00	0.03 (kg)	20	211061
	100.00 - 205.00	18.00	0.03 (kg)	101	211063
	100.00 - 205.00	18.00	0.03 (kg)	103	211065

NOTE: Insert holders used for abrasive materials to protect boring head against chip wash

NOTE: When machining grey cast iron, we recommend using insert holders for abrasive materials with CBN inserts for optimised chip removal.

B10-M: 12-13

B10-H

B10: VI-VII

m = Metric (mm)