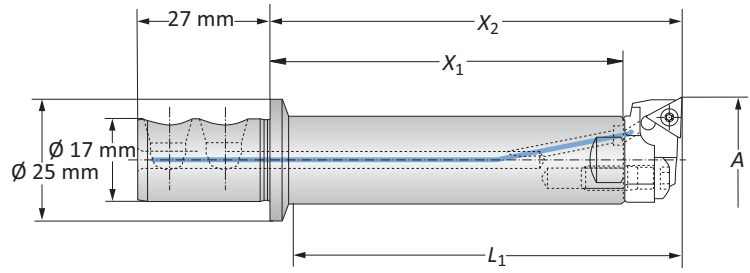


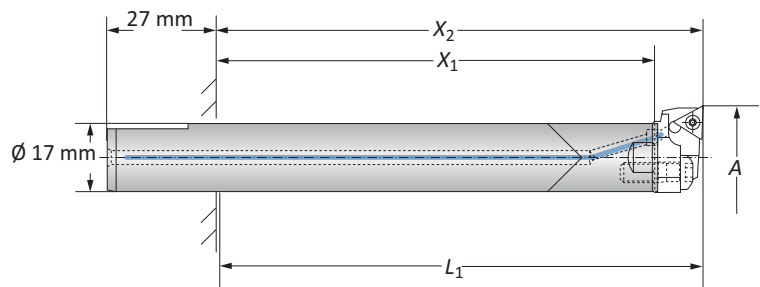
## Serrated Tool Bodies | Insert Holders

Steel | Carbide | Diameter Range: 20.00 mm - 32.00 mm



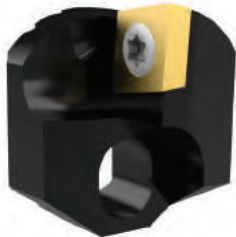
### Steel Serrated Tool Body

Boring Range	Serrated Tool Body			Weight	Part No.
A	X <sub>1</sub>	X <sub>2</sub>	L <sub>1</sub>		
20.00 - 32.00	72.00	84.00	77.00	0.20 (kg)	502045

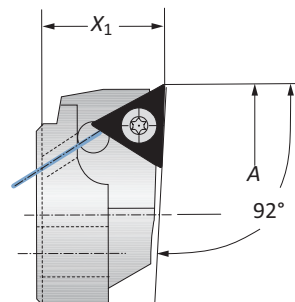


### Carbide Serrated Tool Body

Boring Range	Serrated Tool Body			Weight	Part No.
A	X <sub>1</sub>	X <sub>2</sub>	L <sub>1</sub>		
20.00 - 32.00	108.00	120.00	117.00	0.40 (kg)	502062



Form 101

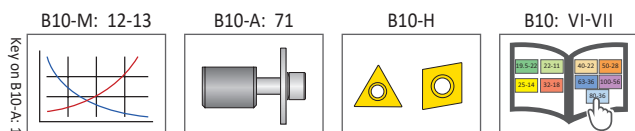


Form 20

### Insert Holders

Boring Range	Insert Holder	Weight	Insert Form	Part No.	Insert Form	Part No.
A	X <sub>1</sub>					
20.00 - 22.00	12.00	0.01 (kg)	101	502052	20*	502046
22.00 - 24.00	12.00	0.01 (kg)	101	502053	20*	502047
24.00 - 26.00	12.00	0.01 (kg)	101	502054	20*	502048
26.00 - 28.00	12.00	0.01 (kg)	101	502055	20*	502049
28.00 - 30.00	12.00	0.01 (kg)	101	502056	20*	502050
30.00 - 32.00	12.00	0.01 (kg)	101	502057	20*	502051

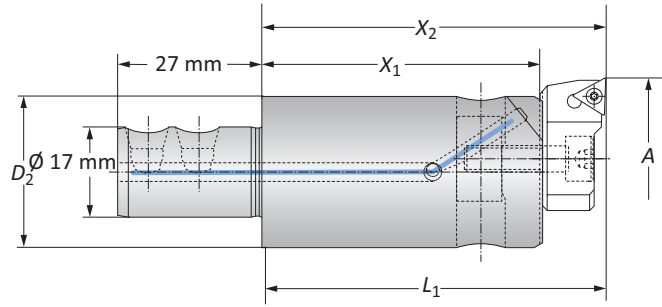
\*Not suitable for indexable inserts with a radius of 0.80 mm



m = Metric (mm)  
Inserts sold separately

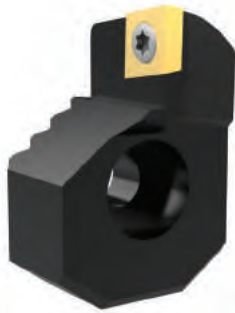
## Alu-Line Serrated Tool Bodies | Insert Holders

Diameter Range: 32.00 mm - 68.00 mm

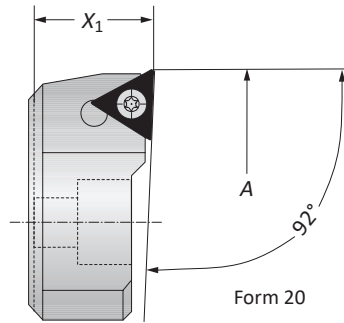


### Alu-Line Serrated Tool Bodies

Boring Range	Serrated Tool Body					Weight	Part No.
	A	D <sub>2</sub>	X <sub>1</sub>	X <sub>2</sub>	L <sub>1</sub>		
m	32.00 - 50.00	28.50	52.00	66.00	63.00	0.10 (kg)	501052
	32.00 - 50.00	28.50	88.00	102.00	99.00	0.20 (kg)	501060
	50.00 - 68.00	46.00	61.00	75.00	72.00	0.20 (kg)	501053
	50.00 - 68.00	46.00	106.00	120.00	117.00	0.30 (kg)	501061



Form 101

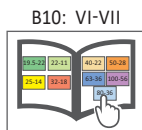
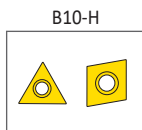
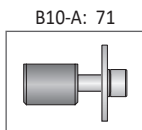
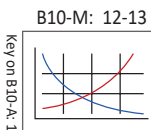


Form 20

### Insert Holders

Serrated Tool Body	Boring Range	Insert Holder	Weight	Insert Form	Part No.	
	A	X <sub>1</sub>				
m	501052 / 501060	32.00 - 41.00	14.00	0.03 (kg)	20*	502060
		41.00 - 50.00	14.00	0.04 (kg)	20*	502061
	501053 / 501061	32.00 - 41.00	14.00	0.03 (kg)	101	502058
			41.00 - 50.00	14.00	0.04 (kg)	101
50.00 - 59.00		14.00	0.03 (kg)	20*	502060	
		59.00 - 68.00	14.00	0.04 (kg)	20*	502061
50.00 - 59.00	14.00	0.03 (kg)	101	502058		
	59.00 - 68.00	14.00	0.04 (kg)	101	502059	

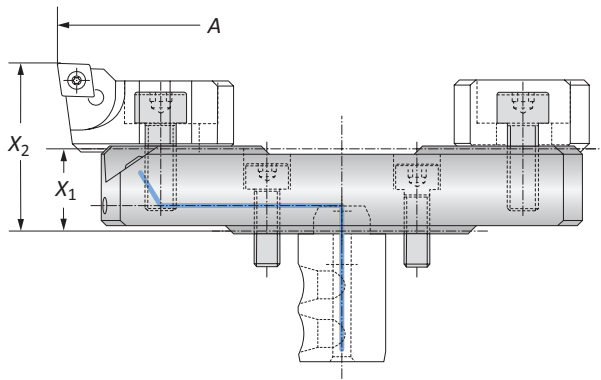
\*Not suitable for indexable inserts with a radius of 0.80 mm



m = Metric (mm)  
Inserts sold separately

## Alu-Line Serrated Slides | Insert Holders

Diameter Range: 68.00 mm - 208.00 mm



### Alu-Line Serrated Slides

	Boring Range		Serrated Slide		Weight	Part No.
	A	X <sub>1</sub>	X <sub>2</sub>			
m	68.00 - 96.00	16.00	32.50	0.10 (kg)	501054	
	96.00 - 124.00	16.00	32.50	0.10 (kg)	501055	
	124.00 - 152.00	16.00	32.50	0.20 (kg)	501056	
	152.00 - 180.00	22.00	38.50	0.25 (kg)	501058	
	180.00 - 208.00	22.00	38.50	0.30 (kg)	501059	

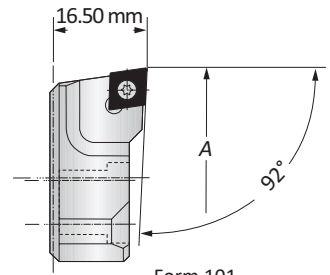
### Insert Holders

	Boring Range			
	A	Weight	Insert Form	Part No.
m	68.00 - 208.00	0.05 (kg)	101	502064
	68.00 - 208.00	0.05 (kg)	20	502069

NOTE: Other insert holders available upon request



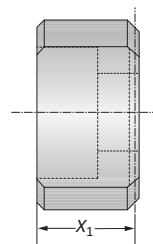
Form 20



Form 101

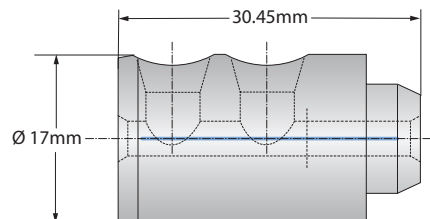
### Counterweight

Counterweight			
X <sub>1</sub>	Weight	Part No.	
m 13.40	0.05 (kg)	502165	



### Coolant Delivery System

Coolant Delivery System	
Weight	Part No.
m 0.02 (kg)	501157

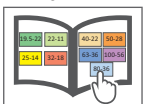
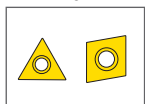
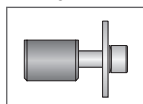
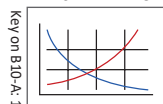


B10-M: 12-13

B10-A: 71

B10-H

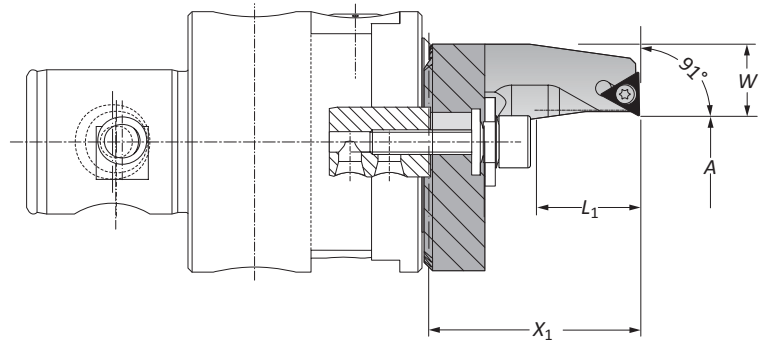
B10: VI-VII




m = Metric (mm)  
Inserts sold separately

## Outside Turning Insert Holders for Boring Heads

Diameter Range: 4.00 mm - 66.00 mm

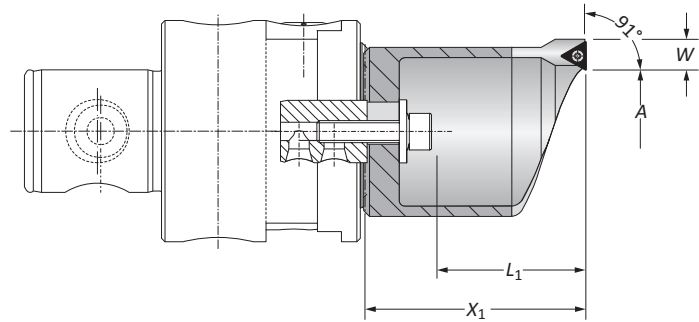


### Type A Insert Holders | Diameter Range: 4.00 mm - 30.00 mm


	Boring Range		Insert Holder			Weight	Insert Form	Part No.
	A	X <sub>1</sub>	L <sub>1</sub>	W				
	4.00 - 17.50	40.50	20.00	16.60	0.10 (kg)	20*	<b>236081</b>	
	16.50 - 30.00	50.50	30.00	11.10	0.10 (kg)	20*	<b>236082</b>	

**NOTE:** Clockwise and neutral execution

\*Not suitable for indexable inserts with a radius of 0.80 mm




### Type B Insert Holders | Diameter Range: 29.00 mm - 66.00 mm

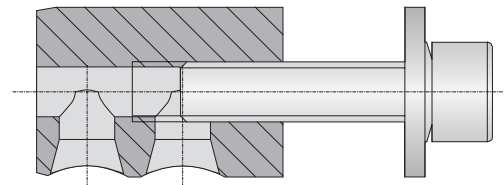
	Boring Range		Insert Holder			Weight	Insert Form	Part No.
	A	X <sub>1</sub>	L <sub>1</sub>	W				
	29.00 - 44.00	75.50	54.00	9.60	0.30 (kg)	20*	<b>236083</b>	
	43.00 - 66.00	100.50	79.00	9.60	0.40 (kg)	20*	<b>236084</b>	

**NOTE:** Clockwise and neutral execution

\*Not suitable for indexable inserts with a radius of 0.80 mm

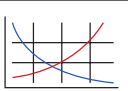
### Clamping Pieces for Outside Turning Insert Holders

Insert Holder Type	Boring Range	Service Key	Complete Part No.
	A	s5	<b>502080</b>
	B	s5	<b>502081</b>

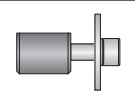


Key on B10-A-1

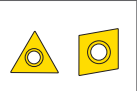
B10-M: 12-13



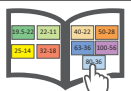
B10-A: 71




B10-H



B10: VI-VII

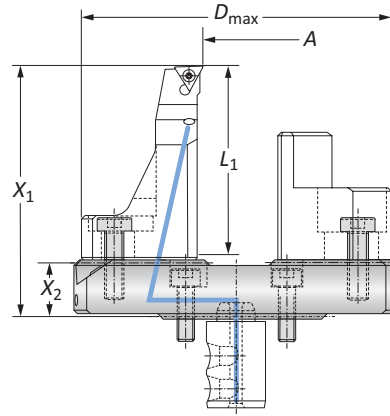


 = Metric (mm)  
Inserts sold separately



## Outside Turning Serrated Slides | Insert Holders

Diameter Range: 2.00 mm - 114.00 mm



### Outside Turning Serrated Slides

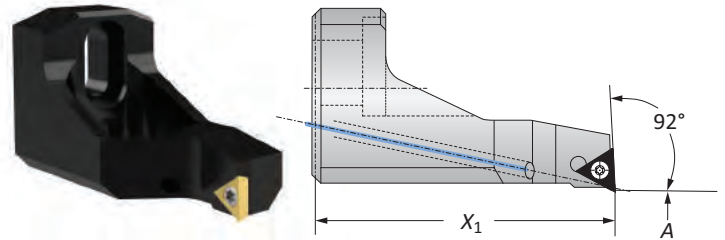
	Boring Range		Serrated Slide				Weight	Part No.
	A	X <sub>1</sub>	X <sub>2</sub>	L <sub>1</sub>	D <sub>max</sub>			
m	2.00 - 30.00	73.00	16.00	55.00	101.00	0.35 (kg)	501064	
	30.00 - 58.00	73.00	16.00	55.00	129.00	0.44 (kg)	501065	
	58.00 - 86.00	79.00	22.00	55.00	157.00	0.60 (kg)	501066	
	86.00 - 114.00	79.00	22.00	55.00	185.00	0.73 (kg)	501067	



### Outside Turning Insert Holder

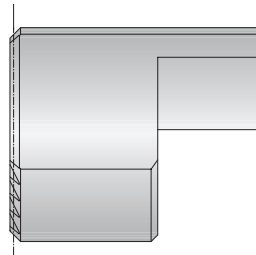
	Outside Turning Range		Insert Holder		Part No.
	A	X <sub>1</sub>	Weight	Insert Form	
m	2.00 - 114.00	57.00	0.15 (kg)	20	502082

NOTE: Clockwise and neutral execution



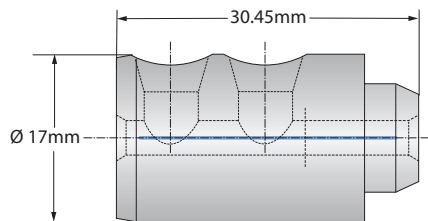
### Counterweight

	Counterweight		Part No.
	X <sub>1</sub>	Weight	
m	37.75	0.16 (kg)	502183



### Coolant Delivery System

	Coolant Delivery System	
	Weight	Part No.
m	0.02 (kg)	501157



Key on B10-A: 1

B10-M: 12-13

B10-A: 71

B10-H

B10: VI-VII

m = Metric (mm)  
Inserts sold separately