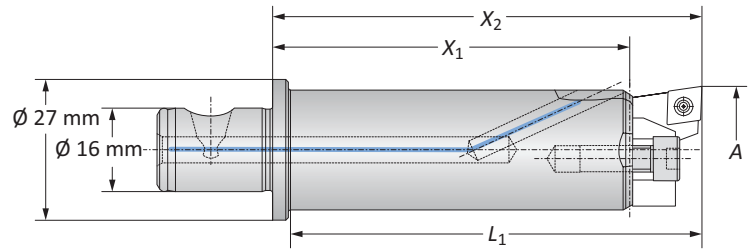
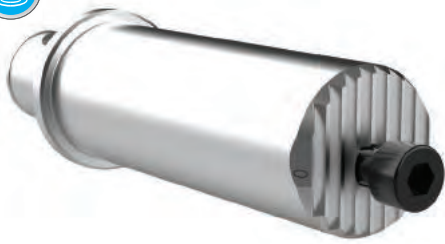


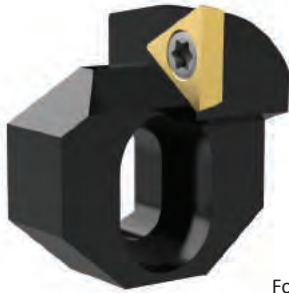
Serrated Tool Bodies | Insert Holders

Diameter Range: 24.00 mm - 65.00 mm

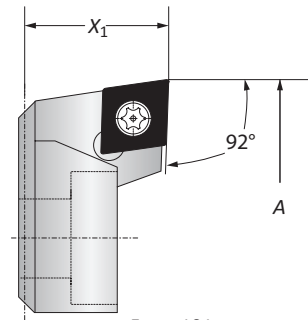


Serrated Tool Body

Boring Range	Serrated Tool Body			Weight	Part No.
	A	X ₁	X ₂		
24.00 - 65.00	68.00	82.00	79.00	0.20 (kg)	450021



Form 20

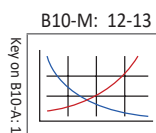


Form 101

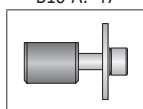
Insert Holders

Boring Range	Insert Holder	Weight	Insert Form	Part No.
24.00 - 40.00	14.00	0.02 (kg)	101	450022
24.00 - 40.00	14.00	0.02 (kg)	20*	450040
40.00 - 65.00	14.00	0.03 (kg)	101	450023
40.00 - 65.00	14.00	0.03 (kg)	20*	450041

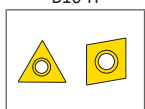
*Not suitable for indexable inserts with a radius of 0.80 mm



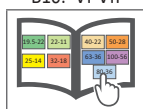
B10-M: 12-13



B10-A: 47



B10-H

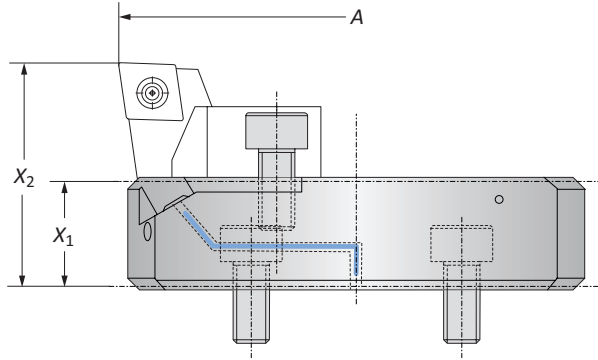


B10: VI-VII

m = Metric (mm)
Inserts sold separately

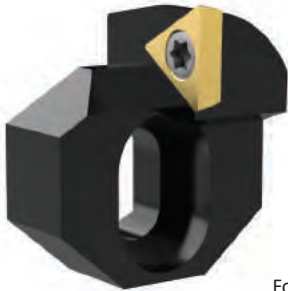
Serrated Slides | Insert Holders

Diameter Range: 65.00 mm - 128.00 mm

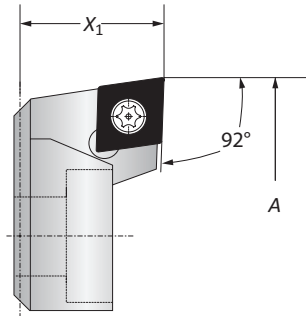


Serrated Slides

Boring Range	Serrated Slide		Weight	Part No.
	A	X ₁		
65.00 - 128.00	14.50	29.50	0.08 (kg)	450024



Form 20



Form 101

Insert Holders

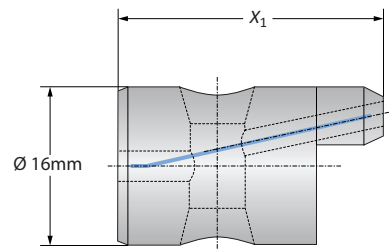
Boring Range	Insert Holder	Weight	Insert Form	Part No.
65.00 - 128.00	14.00	0.03 (kg)	101	450023
65.00 - 128.00	14.00	0.03 (kg)	20*	450041

*Not suitable for indexable inserts with a radius of 0.80 mm

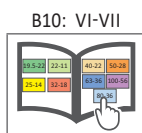
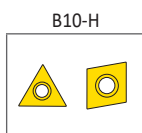
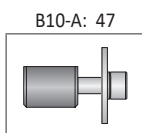


Alu-Line Coolant Delivery Section

Coolant Delivery Section		
X ₁	Weight	Part No.
26.75	0.01 (kg)	450125



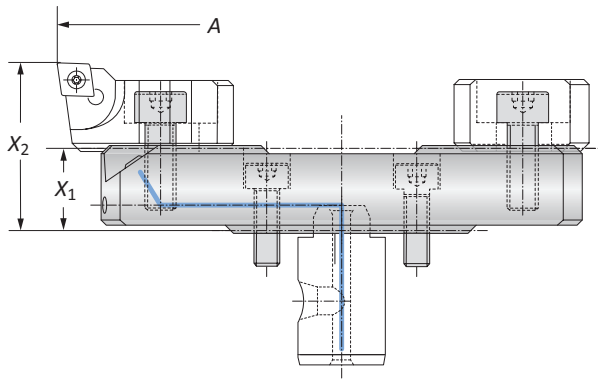
B10-M: 12-13
Key on B10-A-1



= Metric (mm)
Inserts sold separately

Alu-Line Serrated Slides | Insert Holders

Diameter Range: 68.00 mm - 208.00 mm



Alu-Line Serrated Slides

	Boring Range		Serrated Slide		Weight	Part No.
	A	X ₁	X ₂			
	68.00 - 96.00	16.00	32.50		0.10 (kg)	501054
	96.00 - 124.00	16.00	32.50		0.10 (kg)	501055
m	124.00 - 152.00	16.00	32.50		0.20 (kg)	501056
	152.00 - 180.00	22.00	38.50		0.25 (kg)	501058
	180.00 - 208.00	22.00	38.50		0.30 (kg)	501059

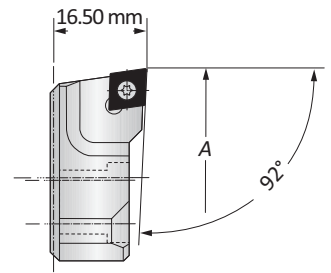
Insert Holders

	Boring Range		Insert Form	Part No.
	A	Weight		
m	68.00 - 208.00	0.05 (kg)	101	502064
	68.00 - 208.00	0.05 (kg)	20	502069

NOTE: Other insert holders available upon request



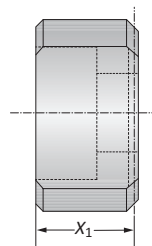
Form 20



Form 101

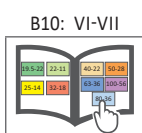
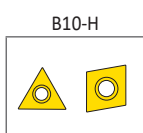
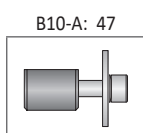
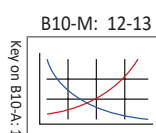
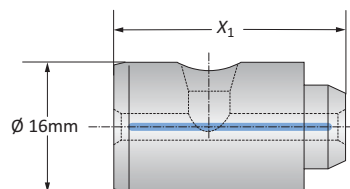
Counterweight

	Counterweight		Part No.
	X ₁	Weight	
m	13.40	0.05 (kg)	502165



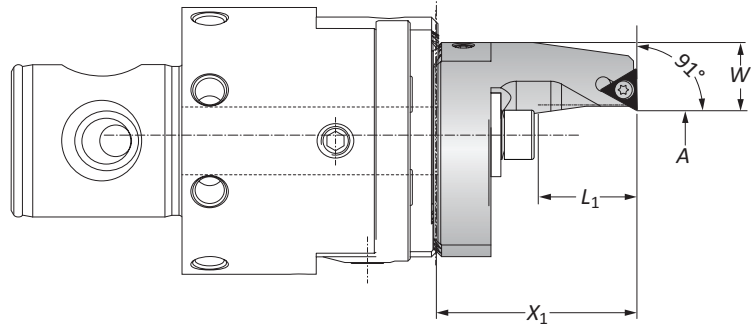
Alu-Line Coolant Delivery Section

	Coolant Delivery Section		Part No.
	X ₁	Weight	
m	25.50	0.01 (kg)	450137



Outside Turning Insert Holders for Boring Heads

Diameter Range: 4.00 mm - 66.00 mm

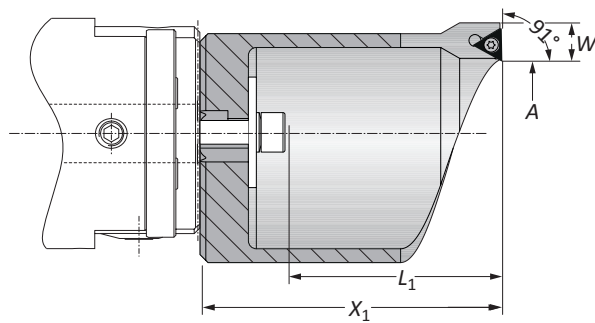


Type A Insert Holders | Diameter Range: 4.00 mm - 30.00 mm

Metric	Boring Range		Insert Holder			Weight	Type	Insert Form	Part No.
	A	X ₁	L ₁	W					
m	4.00 - 17.50	40.50	20.00	16.60	0.10 (kg)	A	20*	236081	
	16.50 - 30.00	50.50	30.00	11.10	0.10 (kg)	A	20*	236082	

NOTE: Clockwise and neutral execution

*Not suitable for indexable inserts with a radius of 0.80 mm



Type B Insert Holders | Diameter Range: 29.00 mm - 66.00 mm

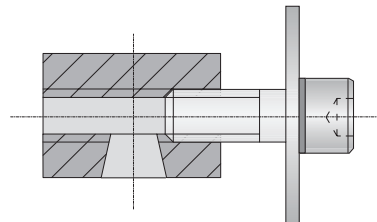
Metric	Boring Range		Insert Holder			Weight	Type	Insert Form	Part No.
	A	X ₁	L ₁	W					
m	29.00 - 44.00	75.50	54.00	9.60	0.30 (kg)	B	20*	236083	
	43.00 - 66.00	100.50	79.00	9.60	0.40 (kg)	B	20*	236084	

NOTE: Clockwise and neutral execution

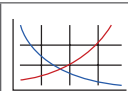
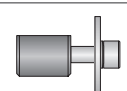
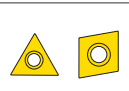
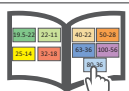
*Not suitable for indexable inserts with a radius of 0.80 mm

Clamping Pieces for Outside Turning Insert Holders

Insert Holder Type	Boring Range	Service Key	Complete Part No.
A	4.00 - 30.00	s5	236088
B	29.00 - 66.00	s5	236089



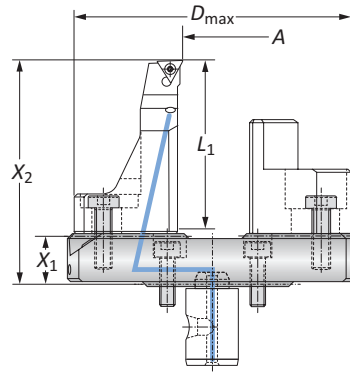
Key on B10-A-1

B10-M: 12-13 	B10-A: 47 	B10-H 	B10: VI-VII 
---	--	--	--

m = Metric (mm)
Inserts sold separately

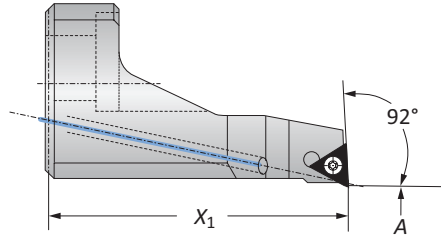
Outside Turning Serrated Slides | Insert Holders

Diameter Range: 2.00 mm - 114.00 mm



Outside Turning Serrated Slides

	Boring Range	Serrated Slide				Weight	Part No.
	A	X ₁	X ₂	L ₁	D _{max}		
m	2.00 - 30.00	16.00	73.00	55.00	101.00	0.35 (kg)	501064
	30.00 - 58.00	16.00	73.00	55.00	129.00	0.44 (kg)	501065
	58.00 - 86.00	22.00	79.00	55.00	157.00	0.60 (kg)	501066
	86.00 - 114.00	22.00	79.00	55.00	185.00	0.73 (kg)	501067



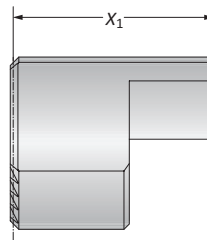
Insert Holder

	Outside Turning Range	Insert Holder	Weight	Insert Form	Part No.
	A	X ₁			
m	2.00 - 114.00	57.00	0.15 (kg)	20	502082

NOTE: clockwise and neutral execution

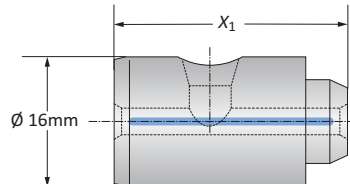
Counterweight

	Counterweight	Weight	Part No.
	X ₁		
m	37.75	0.16 (kg)	502183



Coolant Delivery Section

	Coolant Delivery Section	Weight	Part No.
	X ₁		
m	25.50	0.01 (kg)	450137



Key on B10-A-1

B10-M: 12-13

B10-A: 47

B10-H

B10: VI-VII

B10-A: 46

www.alliedmachine.com | +44 (0) 1384 400 900 | enquiries.eu@alliedmachine.com

m = Metric (mm)
Inserts sold separately