

Werkzeugaufnahmen HSK-A

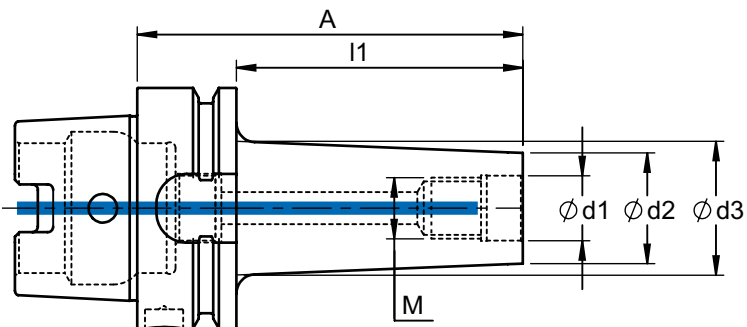
Tool holders HSK-A

	Seite Page
Fräsaufnahmen für Einschraubfräser Modular screw on holder	44 - 53
Fräsdorne Arbors for shell cutters	54 - 61
Fräserhülsen / Zwischenhülsen Morse taper adaptors	62 - 63
Weldonfutter Side lock adapter	64 - 67
Spannzangenfutter Collet chucks	68 - 71
CNC-Bohrfutter CNC-drill chucks	73
Rohlinge Blanks	74

Andere Ausführungen und Längen auf Anfrage lieferbar.
Specials on request.

Fräsaufnahme HSK-A32 für Einschraubfräser

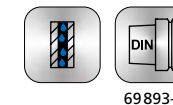
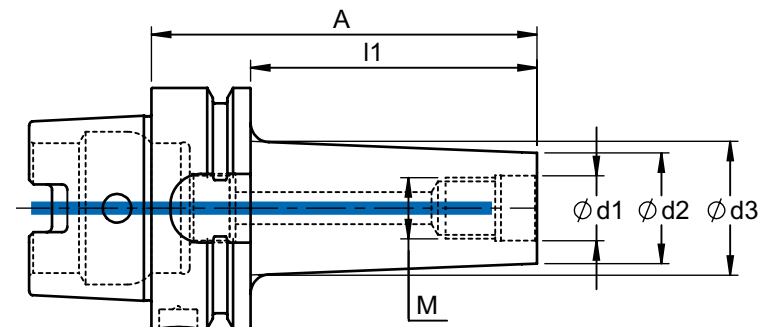
modular screw on holder HSK-A32



Bestell-Nr. order number	M	d1	d2	d3	A	l1	
920 - A320625	M6	6,5	10	15	45	25	G2,5/15.000 oder/or U<1gmm
920 - A320650	M6	6,5	10	22	70	50	
920 - A320825	M8	8,5	13,8	17	45	25	
920 - A320850	M8	8,5	13,8	24	70	50	
920 - A321025	M10	10,5	18	23	45	25	
920 - A321050	M10	10,5	18	25	70	50	
920 - A321225	M12	12,5	21	25	45	25	

Fräsaufnahme HSK-A40 für Einschraubfräser

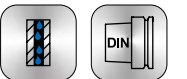
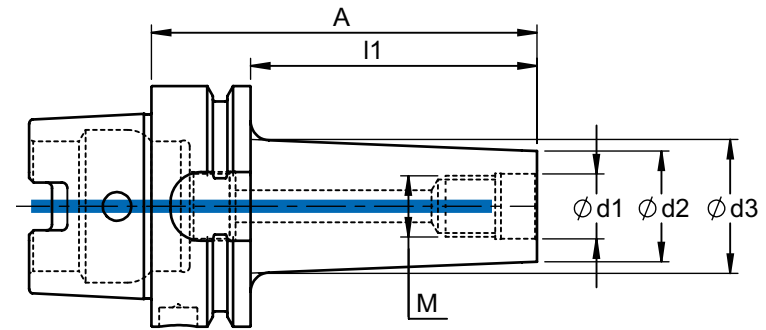
modular screw on holder HSK-A40




Bestell-Nr. order number	M	d1	d2	d3	A	l1	
920 - A400825	M8	8,5	13,8	18	45	25	G2,5/15.000 oder/or U<1gmm
920 - A400850	M8	8,5	13,8	23	70	50	
920 - A400875	M8	8,5	13,8	25	95	75	
920 - A401025	M10	10,5	18	23	45	25	
920 - A401050	M10	10,5	18	25	70	50	
920 - A401075	M10	10,5	18	30	95	75	
920 - A4010100	M10	10,5	18	34	120	100	
920 - A401225	M12	12,5	21	24	45	25	
920 - A401250	M12	12,5	21	30	70	50	
920 - A401275	M12	12,5	21	34	95	75	
920 - A401625	M16	17	29	34	45	25	

Fräsaufnahme HSK-A50 für Einschraubfräser

modular screw on holder HSK-A50

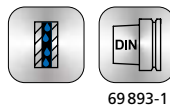
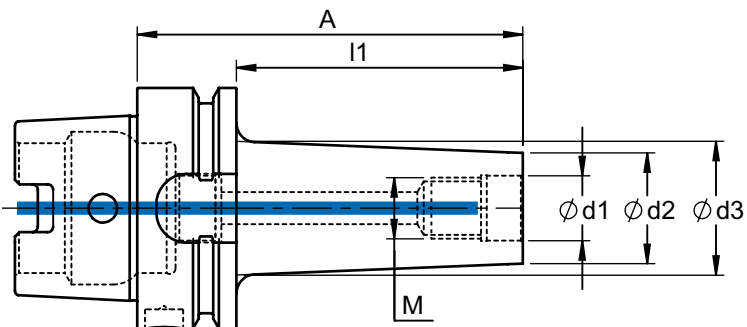


69893-1

Bestell-Nr. order number	M	d1	d2	d3	A	l1	
920 - A500625	M 6	6,5	10	22	51	25	G2,5/15.000 oder/or U<1gmm
920 - A500650	M 6	6,5	10	22	76	50	
920 - A500675	M 6	6,5	10	26	101	75	
920 - A500825	M 8	8,5	13,8	18	51	25	
920 - A500850	M 8	8,5	13,8	23	76	50	
920 - A500850ZY	M 8	8,5	13,8	13,8	76	50	
920 - A500875	M 8	8,5	13,8	25	101	75	
920 - A5008100	M 8	8,5	13,8	30	126	100	
920 - A5008125	M 8	8,5	13,8	36	151	125	
920 - A501025	M 10	10,5	18	23	51	25	
920 - A501025ZY	M 10	10,5	18	18	51	25	
920 - A501050	M 10	10,5	18	25	76	50	
920 - A501050ZY	M 10	10,5	18	18	76	50	
920 - A501075	M 10	10,5	18	30	101	75	
920 - A5010100	M 10	10,5	18	35	126	100	
920 - A5010125	M 10	10,5	18	41	151	125	
920 - A501225	M 12	12,5	21	24	51	25	
920 - A501250	M 12	12,5	21	30	76	50	
920 - A501250ZY	M 12	12,5	23	23	76	50	
920 - A501275	M 12	12,5	21	35	101	75	
920 - A501275ZY	M 12	12,5	23	23	101	75	
920 - A5012100	M 12	12,5	21	38	126	100	
920 - A5012125	M 12	12,5	21	42	151	125	
920 - A501625	M 16	17	29	29	51	25	
920 - A501650	M 16	17	29	34	76	50	
920 - A501650ZY	M 16	17	29	29	76	50	
920 - A501675	M 16	17	29	35	101	75	
920 - A501675ZY	M 16	17	29	29	101	75	
920 - A5016100	M 16	17	29	40	126	100	
920 - A5016125	M 16	17	29	42	151	125	

Fräsaufnahme HSK-A63 für Einschraubfräser

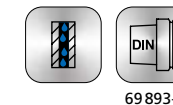
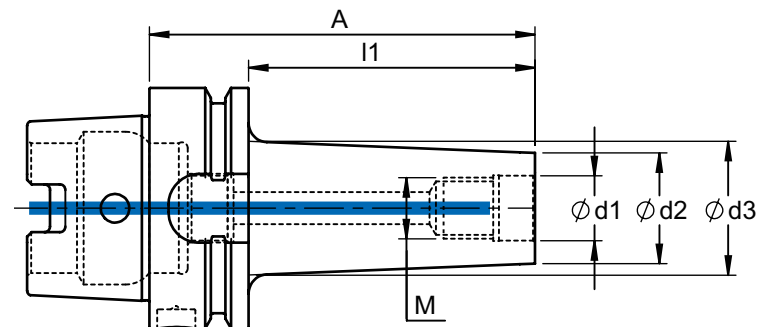
modular screw on holder HSK-A63



Bestell-Nr. order number	M	d1	d2	d3	A	l1	
920 - A630625	M 6	6,5	10	22	51	25	G2,5/15.000 oder/or U<1gmm
920 - A630650	M 6	6,5	10	22	76	50	
920 - A630675	M 6	6,5	10	26	101	75	
920 - A630825	M 8	8,5	13,8	18	51	25	
920 - A630825ZY	M 8	8,5	13,8	13,8	51	25	
920 - A630850	M 8	8,5	13,8	23	76	50	
920 - A630850ZY	M 8	8,5	13,8	13,8	76	50	
920 - A630875	M 8	8,5	13,8	25	101	75	
920 - A630875ZY	M 8	8,5	13,8	13,8	101	75	
920 - A6308100	M 8	8,5	13,8	30	126	100	
920 - A6308125	M 8	8,5	13,8	32	151	125	
920 - A6308125ZY	M 8	8,5	13,8	13,8	151	125	
920 - A6308200	M 8	8,5	13,8	50	226	200	
920 - A631025	M 10	10,5	18	23	51	25	
920 - A631025ZY	M 10	10,5	18	18	51	25	
920 - A631050	M 10	10,5	18	25	76	50	
920 - A631050ZY	M 10	10,5	18	18	76	50	
920 - A631075	M 10	10,5	18	30	101	75	
920 - A631075ZY	M 10	10,5	18	18	101	75	
920 - A6310100	M 10	10,5	18	35	126	100	
920 - A6310100ZY	M 10	10,5	18	18	126	100	
920 - A6310125	M 10	10,5	18	40	151	125	
920 - A6310125ZY	M 10	10,5	18	18	151	125	
920 - A6310150	M 10	10,5	18	44	176	150	
920 - A6310200	M 10	10,5	18	50	226	200	
920 - A631225	M 12	12,5	21	24	51	25	
920 - A631250	M 12	12,5	21	30	76	50	
920 - A631250ZY	M 12	12,5	23	23	76	50	
920 - A631260ZY	M 12	12,5	23	23	86	60	
920 - A631275	M 12	12,5	21	35	101	75	
920 - A631275ZY	M 12	12,5	23	23	101	75	
920 - A6312100	M 12	12,5	21	38	126	100	
920 - A6312100ZY	M 12	12,5	23	23	126	100	
920 - A6312125	M 12	12,5	21	43	151	125	
920 - A6312125ZY	M 12	12,5	23	23	151	125	
920 - A6312150	M 12	12,5	21	45	176	150	
920 - A6312150ZY	M 12	12,5	23	23	176	150	

Fräsaufnahme HSK-A63 für Einschraubfräser

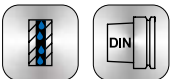
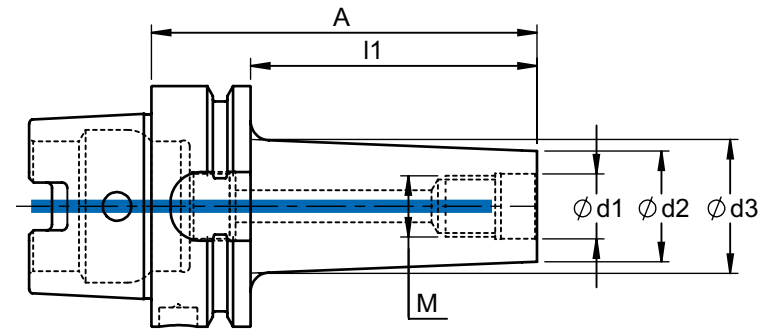
modular screw on holder HSK-A63




Bestell-Nr. order number	M	d1	d2	d3	A	l1	
920 - A6312175	M 12	12,5	21	46	201	175	G2,5/15.000 oder/or U<1gmm
920 - A6312175ZY	M 12	12,5	23	23	201	175	
920 - A6312200	M 12	12,5	21	46	226	200	
920 - A6312250	M 12	12,5	21	52	276	250	
920 - A631625	M 16	17	29	29	51	25	
920 - A631650	M 16	17	29	34	76	50	
920 - A631650-37	M 16	17	37	43	76	50	
920 - A631650ZY	M 16	17	29	29	76	50	
920 - A631650ZY-37	M 16	17	37	37	76	50	
920 - A631660ZY	M 16	17	29	29	86	60	
920 - A631675	M 16	17	29	35	101	75	
920 - A631675-37	M 16	17	37	46	101	75	
920 - A631675ZY	M 16	17	29	29	101	75	
920 - A631675ZY-37	M 16	17	37	37	101	75	
920 - A6316100	M 16	17	29	40	126	100	
920 - A6316100-37	M 16	17	37	49	126	100	
920 - A6316100ZY	M 16	17	29	29	126	100	
920 - A6316125	M 16	17	29	44	151	125	
920 - A6316125ZY	M 16	17	29	29	151	125	
920 - A6316150	M 16	17	29	47	176	150	
920 - A6316150ZY	M 16	17	29	29	176	150	
920 - A6316175	M 16	17	29	52	201	175	
920 - A6316200	M 16	17	29	52	226	200	
920 - A6316200ZY	M 16	17	29	29	226	200	
920 - A6316250	M 16	17	29	52	276	250	
920 - A6316300	M 16	17	29	52	326	300	
920 - A6316350	M 16	17	29	52	376	350	

Fräsaufnahme HSK-A80 für Einschraubfräser

modular screw on holder HSK-A80

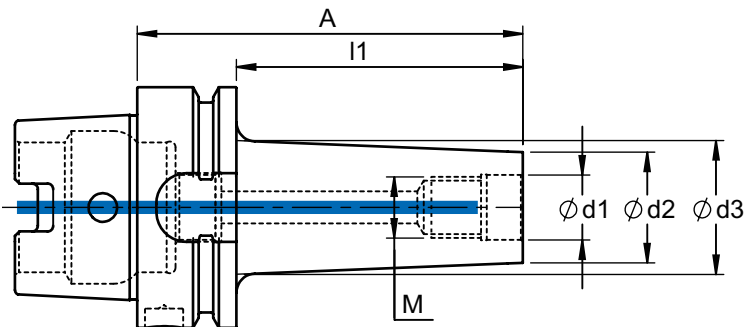


69893-1

Bestell-Nr. order number	M	d1	d2	d3	A	l1	
920 - A800825	M 8	8,5	13,8	18	51	25	G2,5/15.000 oder/or U<1gmm
920 - A800850	M 8	8,5	13,8	23	76	50	
920 - A8008100	M 8	8,5	13,8	30	126	100	
920 - A801025	M 10	10,5	18	23	51	25	
920 - A801050	M 10	10,5	18	25	76	50	
920 - A801075	M 10	10,5	18	30	101	75	
920 - A8010100	M 10	10,5	18	35	126	100	
920 - A801225	M 12	10,5	21	24	51	25	
920 - A801250	M 12	12,5	21	30	76	50	
920 - A801275	M 12	12,5	21	35	101	75	
920 - A8012100	M 12	12,5	21	40	126	100	
920 - A8012125	M 12	12,5	21	43	151	125	
920 - A801625	M 16	17	29	29	51	25	
920 - A801650	M 16	17	29	34	76	50	
920 - A801650ZY	M 16	17	29	29	76	50	
920 - A801650ZY-37	M 16	17	37	37	76	50	
920 - A801675	M 16	17	29	37	101	75	
920 - A8016100	M 16	17	29	40	126	100	
920 - A8016100-37	M 16	17	37	49	126	100	
920 - A8016100ZY	M 16	17	29	29	126	100	
920 - A8016125	M 16	17	29	44	126	100	
920 - A8016150	M 16	17	29	50	176	150	
920 - A8016150ZY	M 16	17	29	29	176	150	
920 - A8016200	M 16	17	29	60	226	200	

Fräsaufnahme HSK-A100 für Einschraubfräser

modular screw on holder HSK-A100

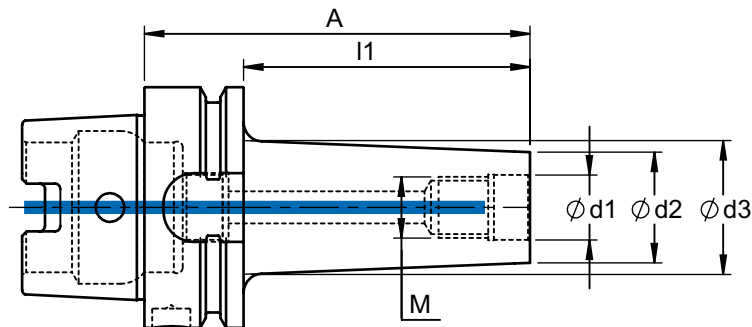


69893-1

Bestell-Nr. order number	M	d1	d2	d3	A	l1	
920 - A1000850	M 8	8,5	13,8	28	79	50	G2,5/15.000 oder/or U<1gmm
920 - A1000875	M 8	8,5	13,8	30	104	75	
920 - A10008100	M 8	8,5	13,8	30	129	100	
920 - A10008150	M 8	8,5	13,8	33	179	150	
920 - A10008200	M 8	8,5	13,8	38	229	200	
920 - A1001050	M 10	10,5	18	30	79	50	
920 - A1001050ZY	M 10	10,5	18	18	79	50	
920 - A1001075	M 10	10,5	18	33	104	75	
920 - A1001075ZY	M 10	10,5	18	18	104	75	
920 - A10010100	M 10	10,5	18	35	129	100	
920 - A10010100ZY	M 10	10,5	18	18	129	100	
920 - A10010125	M 10	10,5	18	35	154	125	
920 - A10010150	M 10	10,5	18	38	179	150	
920 - A10010200	M 10	10,5	18	40	229	200	
920 - A1001230	M 12	12,5	21	30	59	30	
920 - A1001250	M 12	12,5	21	33	79	50	
920 - A1001250ZY	M 12	12,5	23	23	79	50	
920 - A1001275	M 12	12,5	21	35	104	75	
920 - A1001275ZY	M 12	12,5	23	23	104	75	
920 - A10012100	M 12	12,5	21	38	129	100	
920 - A10012100ZY	M 12	12,5	23	23	129	100	
920 - A10012125	M 12	12,5	21	43	154	125	
920 - A10012150	M 12	12,5	21	45	179	150	
920 - A10012200	M 12	12,5	21	50	229	200	
920 - A10012250	M 12	12,5	21	60	279	250	
920 - A10012300	M 12	12,5	21	70	329	300	

Fräsaufnahme HSK-A100 für Einschraubfräser

modular screw on holder HSK-A100



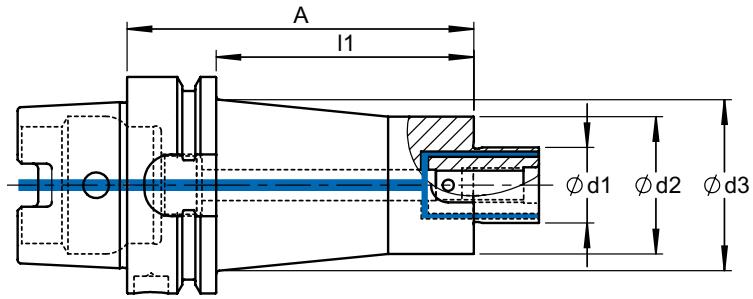
69893-1

Bestell-Nr. order number	M	d1	d2	d3	A	l1	
920 - A1001630	M 16	17	29	32	59	30	G2,5/15.000 oder/or U<1gmm
920 - A1001650	M 16	17	29	34	79	50	
920 - A1001650ZY	M 16	17	29	29	79	50	
920 - A1001650ZY-37	M 16	17	37	37	79	50	
920 - A1001675	M 16	17	29	35	104	75	
920 - A1001675ZY	M 16	17	29	29	104	75	
920 - A1001675ZY-37	M 16	17	37	37	104	75	
920 - A1001680ZY	M 16	17	29	29	109	80	
920 - A10016100	M 16	17	29	40	129	100	
920 - A10016100ZY	M 16	17	29	29	129	100	
920 - A10016100ZY-37	M 16	17	37	37	129	100	
920 - A10016105ZY	M 16	17	29	29	134	105	
920 - A10016125	M 16	17	29	45	154	125	
920 - A10016125ZY	M 16	17	29	29	154	125	
920 - A10016125ZY-37	M 16	17	37	37	154	125	
920 - A10016150	M 16	17	29	50	179	150	
920 - A10016150ZY	M 16	17	29	29	179	150	
920 - A10016150ZY-37	M 16	17	37	37	179	150	
920 - A10016200	M 16	17	29	60	229	200	
920 - A10016200ZY	M 16	17	29	29	229	200	
920 - A10016250	M 16	17	29	70	279	250	
920 - A10016300	M 16	17	29	80	329	300	

Fräsdorne HSK-A50

arbor HSK-A50 for shell cutter

Lieferumfang: HSK-Aufnahme mit Anzugsschraube und Mitnehmersteinen
 delivery: with drive keys and retaining screw



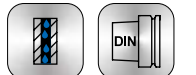
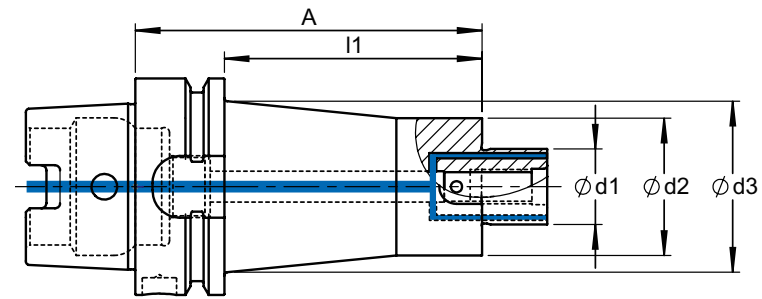
69893-1

Bestell-Nr. order number	d1	d2	d3	l1	A					
901 - A5016	16	35	35	20	46	x	959-16	-	957-M8	-
901 - A5022	22	40	40	22	48	x	959-22	-	957-M10	-
901 - A5027	27	48	48	32	58	x	959-27	-	957-M12	-
G6,3/8.000										

Fräsdorne HSK-A63

arbor HSK-A63 for shell cutter

Lieferumfang: HSK-Aufnahme mit Anzugsschraube und Mitnehmersteinen
 delivery: with drive keys and retaining screw



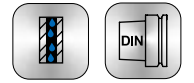
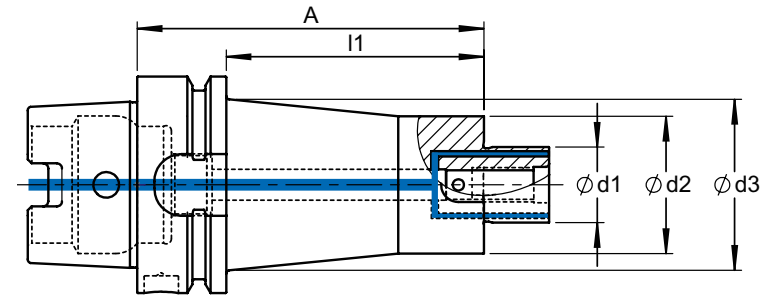
69893-1

Bestell-Nr. order number	d1	d2	d3	l1	A					
901 - A6316	16	35	35	20	46	x	959-16	-	957-M8	-
901 - A631625	16	35	35	25	51	x	959-16	-	957-M8	-
901 - A631650	16	35	42	50	76	x	959-16	-	957-M8	-
901 - A631650ZY	16	35	35	50	76	x	959-16	-	957-M8	-
901 - A631675	16	35	45	75	101	x	959-16	-	957-M8	-
901 - A631675ZY	16	35	35	75	101	x	959-16	-	957-M8	-
901 - A6316100	16	35	50	100	126	x	959-16	-	957-M8	-
901 - A6316100ZY	16	35	35	100	126	x	959-16	-	957-M8	-
901 - A6316150	16	35	50	150	176	x	959-16	-	957-M8	-
901 - A6316200	16	35	53	200	226	x	959-16	-	957-M8	-
901 - A6316250	16	35	53	250	276	x	959-16	-	957-M8	-
901 - A6316300	16	35	53	300	326	x	959-16	-	957-M8	-
901 - A6322	22	40	40	20	46	x	959-22	-	957-M10	-
901 - A632225	22	40	40	25	51	x	959-22	-	957-M10	-
901 - A632250	22	40	45	50	76	x	959-22	-	957-M10	-
901 - A632250ZY	22	48	48	50	76	x	959-22	-	957-M10	-
901 - A632275	22	40	50	75	101	x	959-22	-	957-M10	-
901 - A632275ZY	22	48	48	75	101	x	959-22	-	957-M10	-
901 - A6322100	22	40	50	100	126	x	959-22	-	957-M10	-
901 - A6322100ZY	22	48	48	100	126	x	959-22	-	957-M10	-
901 - A6322150	22	40	50	150	176	x	959-22	-	957-M10	-
901 - A6322150ZY	22	48	48	150	176	x	959-22	-	957-M10	-
901 - A6322200	22	40	53	200	226	x	959-22	-	957-M10	-
901 - A6322200ZY	22	48	48	200	226	x	959-22	-	957-M10	-
901 - A6322250	22	40	53	250	276	x	959-22	-	957-M10	-
901 - A6322300	22	40	53	300	326	x	959-22	-	957-M10	-
901 - A632725	27	48	48	25	51	x	959-27	-	957-M12	-
901 - A632750	27	48	53	50	76	x	959-27	-	957-M12	-
901 - A6327100	27	48	53	100	126	x	959-27	-	957-M12	-
901 - A6327100ZY	27	48	48	100	126	x	959-27	-	957-M12	-
901 - A6327150	27	48	53	150	176	x	959-27	-	957-M12	-
901 - A6327200	27	48	53	200	226	x	959-27	-	957-M12	-
901 - A6327250	27	48	53	250	276	x	959-27	-	957-M12	-
901 - A6327300	27	48	53	300	326	x	959-27	-	957-M12	-
901 - A6332	32	60	60	32	58	x	959-32	957-32	-	958-32
901 - A6332100	32	60	60	100	126	x	959-32	957-32	-	958-32
901 - A6332150	32	60	60	150	176	x	959-32	957-32	-	958-32
G6,3/8.000										

Fräsdorne HSK-A80

arbors HSK-A80 for shell cutter

Lieferumfang: HSK-Aufnahme mit Anzugsschraube und Mitnehmersteinen
 delivery: with drive keys and retaining screw



69893-1

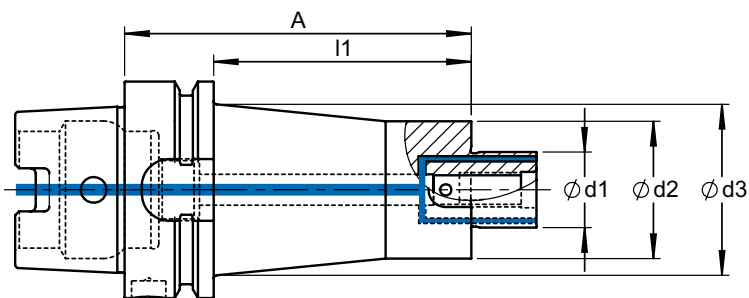
Bestell-Nr. order number	d1	d2	d3	l1	A					
901 - A801625	16	35	35	25	51	x	959-16	-	957-M8	-
901 - A801650	16	35	45	50	76	x	959-16	-	957-M8	-
901 - A8016100	16	35	50	100	126	x	959-16	-	957-M8	-
901 - A8016200	16	35	60	200	226	x	959-16	-	957-M8	-
901 - A802225	22	40	40	25	51	x	959-22	-	957-M10	-
901 - A802250	22	40	45	50	76	x	959-22	-	957-M10	-
901 - A8022100	22	40	50	100	126	x	959-22	-	957-M10	-
901 - A8022100ZY-48	22	48	48	100	126	x	959-22	-	957-M10	-
901 - A8022150ZY-48	22	48	48	150	176	x	959-22	-	957-M10	-
901 - A8022200	22	40	68	200	226	x	959-22	-	957-M10	-
901 - A8022200ZY-48	22	48	48	200	226	x	959-22	-	957-M10	-
901 - A8022250ZY-48	22	48	48	250	276	x	959-22	-	957-M10	-
901 - A802725	27	48	48	25	51	x	959-27	-	957-M12	-
901 - A802750	27	48	55	50	76	x	959-27	-	957-M12	-
901 - A8027100	27	48	60	100	126	x	959-27	-	957-M12	-
901 - A8027100ZY-60	27	60	60	100	126	x	959-27	-	957-M12	-
901 - A8027150ZY-60	27	60	60	150	176	x	959-27	-	957-M12	-
901 - A8027200	27	48	65	200	226	x	959-27	-	957-M12	-
901 - A8027200ZY-78	27	78	78	200	226	x	959-27	-	957-M12	-
901 - A8027250ZY-78	27	78	78	250	276	x	959-27	-	957-M12	-

G6,3/8.000

Fräsdorne HSK-A100

arbors HSK-A63 for shell cutter

Lieferumfang: HSK-Aufnahme mit Anzugsschraube und Mitnehmersteinen
 delivery: with drive keys and retaining screw



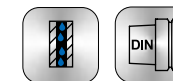
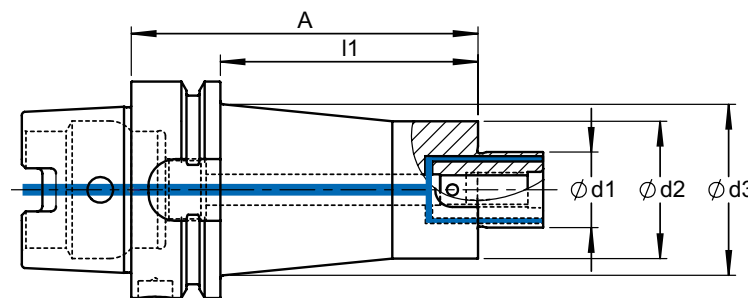
69893-1

Bestell-Nr. order number	d1	d2	d3	l1	A						
901 - A1001625	16	35	35	25	54	x	959-16	-	957-M8	-	G6,3/8.000
901 - A1001650	16	35	45	50	79	x	959-16	-	957-M8	-	
901 - A1001650ZY-35	16	35	35	50	79	x	959-16	-	957-M8	-	
901 - A10016100	16	35	50	100	129	x	959-16	-	957-M8	-	
901 - A10016100ZY-35	16	35	35	100	129	x	959-16	-	957-M8	-	
901 - A10016150	16	35	60	150	179	x	959-16	-	957-M8	-	
901 - A10016150ZY-35	16	35	35	150	179	x	959-16	-	957-M8	-	
901 - A10016200	16	35	60	200	229	x	959-16	-	957-M8	-	
901 - A10016200ZY-35	16	35	35	200	229	x	959-16	-	957-M8	-	
901 - A1002225	22	40	40	25	54	x	959-22	-	957-M10	-	
901 - A1002250	22	40	45	50	79	x	959-22	-	957-M10	-	
901 - A1002275	22	40	50	75	104	x	959-22	-	957-M10	-	
901 - A10022100	22	40	50	100	129	x	959-22	-	957-M10	-	
901 - A10022100ZY-48	22	48	48	100	129	x	959-22	-	957-M10	-	
901 - A10022125	22	40	50	125	154	x	959-22	-	957-M10	-	
901 - A10022150	22	40	60	150	179	x	959-22	-	957-M10	-	
901 - A10022150ZY-48	22	48	48	150	179	x	959-22	-	957-M10	-	
901 - A10022200	22	40	68	200	229	x	959-22	-	957-M10	-	
901 - A10022200ZY-48	22	48	48	200	229	x	959-22	-	957-M10	-	
901 - A10022250ZY-48	22	48	48	250	279	x	959-22	-	957-M10	-	
901 - A10022300	22	48	70	300	329	x	959-22	-	957-M10	-	
901 - A10022300ZY-48	22	48	48	300	329	x	959-22	-	957-M10	-	
901 - A10022350ZY-48	22	48	48	350	379	x	959-22	-	957-M10	-	

Fräsdorne HSK-A100

arbors HSK-A63 for shell cutter

Lieferumfang: HSK-Aufnahme mit Anzugsschraube und Mitnehmersteinen
 delivery: with drive keys and retaining screw

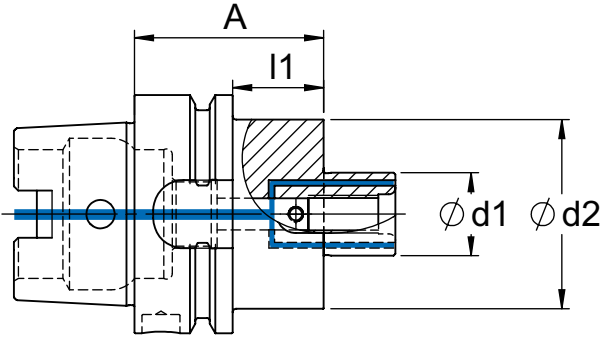


69893-1

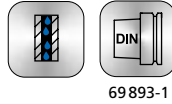
Bestell-Nr. order number	d1	d2	d3	l1	A						
901 - A1002725	27	60	60	25	54	x	959-27	-	957-M12	-	G6,3/8.000
901 - A1002750ZY-60	27	60	60	50	79	x	959-27	-	957-M12	-	
901 - A1002750ZY-76	27	76	76	50	79	x	959-27	-	957-M12	-	
901 - A10027100	27	60	70	100	129	x	959-27	-	957-M12	-	
901 - A10027100ZY-60	27	60	60	100	129	x	959-27	-	957-M12	-	
901 - A10027100ZY-76	27	76	76	100	129	x	959-27	-	957-M12	-	
901 - A10027150	27	60	75	150	179	x	959-27	-	957-M12	-	
901 - A10027150ZY-60	27	60	60	150	179	x	959-27	-	957-M12	-	
901 - A10027150ZY-76	27	76	76	150	179	x	959-27	-	957-M12	-	
901 - A10027200	27	60	80	200	229	x	959-27	-	957-M12	-	
901 - A10027200ZY-60	27	60	60	200	229	x	959-27	-	957-M12	-	
901 - A10027200ZY-76	27	76	76	200	229	x	959-27	-	957-M12	-	
901 - A10027250	27	60	80	250	279	x	959-27	-	957-M12	-	
901 - A10027250ZY-60	27	60	60	250	279	x	959-27	-	957-M12	-	
901 - A10027250ZY-76	27	76	76	250	279	x	959-27	-	957-M12	-	
901 - A10027300	27	60	85	300	329	x	959-27	-	957-M12	-	
901 - A10027300ZY-60	27	60	60	300	329	x	959-27	-	957-M12	-	
901 - A10027300ZY-76	27	76	76	300	329	x	959-27	-	957-M12	-	
901 - A1003250	32	70	70	50	79	-	959-32	957-32	-	958-32	
901 - A10032100	32	70	85	100	129	-	959-32	957-32	-	958-32	
901 - A10032100ZY-85	32	85	85	100	129	-	959-32	957-32	-	958-32	
901 - A10032150ZY-85	32	85	85	150	179	-	959-32	957-32	-	958-32	
901 - A10032200ZY-85	32	85	85	200	229	-	959-32	957-32	-	958-32	

Fräsdorne HSK-A63 - 100 mit vergrößertem Anlagedurchmesser

arbors HSK-A63 - 100 with enlarged contact surface diameter



Lieferumfang: HSK-Aufnahme mit Anzugsschraube und Mitnehmersteinen
delivery: with drive keys and retaining screw

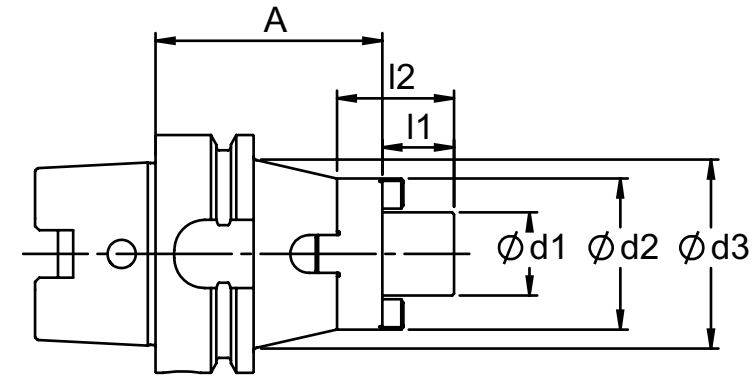


Bestell-Nr. order number	HSK	d1	d2	l1	A					
922 - A6322	A63	22	50	24	50	x	959-22	957-22	958-22	G6,3/8.000
922 - A6327	A63	27	60	34	60	x	959-27	957-27	958-27	
922 - A6332	A63	32	78	34	60	x	959-32	957-32	958-32	
922 - A6340	A63	40	89	34	60	x	959-40	957-40	958-40	
922 - A8022	A80	22	50	24	50	x	959-22	957-22	958-22	
922 - A8027	A80	27	60	34	60	x	959-27	957-27	958-27	
922 - A8032	A80	32	78	34	60	x	959-32	957-32	958-32	
922 - A8040	A80	40	89	34	60	x	959-40	957-40	958-40	
922 - A10022	A100	22	50	21	50	x	959-22	957-22	958-22	
922 - A10027	A100	27	60	21	50	x	959-27	957-27	958-27	
922 - A10032	A100	32	78	21	50	x	959-32	957-32	958-32	
922 - A10040	A100	40	89	31	60	x	959-40	957-40	958-40	
922 - A10050	A100	50	120	41	70	x	959-50	957-50	958-50	

Kombi - Aufsteckfräsdorne HSK-A40 - 100

combi-arbors with tenon and parallel key drive, HSK-A40 - 100

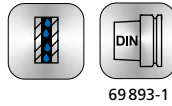
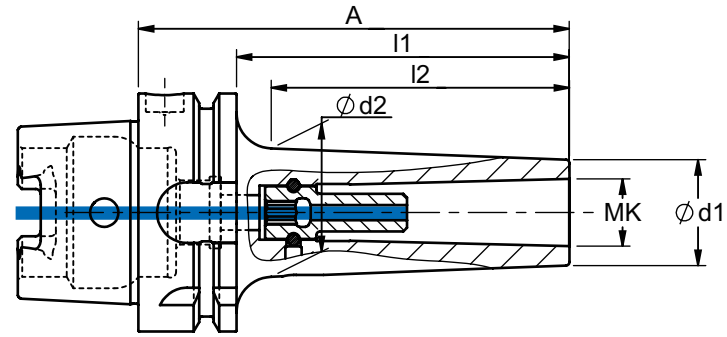
Lieferumfang: HSK-Aufnahme mit Anzugsschraube und Mitnehmersteinen
delivery: with drive keys and retaining screw



Bestell-Nr. order number	HSK	d1	d2	d3	l1	l2	A					
902 - A4016	A40	16	32	32	17	27	50	955-16	956-16	957-16	958-16	G6,3/8.000
902 - A4022	A40	22	40	40	19	31	50	955-22	956-22	957-22	958-22	
902 - A4027	A40	27	48	48	21	33	65	955-27	956-27	957-27	958-27	
902 - A5016	A50	16	32	32	17	27	50	955-16	956-16	957-16	958-16	
902 - A5022	A50	22	40	40	19	31	50	955-22	956-22	957-22	958-22	
902 - A5027	A50	27	48	48	21	33	65	955-27	956-27	957-27	958-27	
902 - A5032	A50	32	58	58	24	38	65	955-32	956-32	957-32	958-32	
902 - A6316	A63	16	32	32	17	27	60	955-16	956-16	957-16	958-16	
902 - A6322	A63	22	40	40	19	31	60	955-22	956-22	957-22	958-22	
902 - A6327	A63	27	48	48	21	33	60	955-27	956-27	957-27	958-27	
902 - A6332	A63	32	58	58	24	38	60	955-32	956-32	957-32	958-32	
902 - A6340	A63	40	70	70	27	41	70	955-40	956-40	957-40	958-40	
902 - A8016	A80	16	32	32	17	27	60	955-16	956-16	957-16	958-16	
902 - A8022	A80	22	40	40	19	31	60	955-22	956-22	957-22	958-22	
902 - A8027	A80	27	48	48	21	33	60	955-27	956-27	957-27	958-27	
902 - A8032	A80	32	58	58	24	38	60	955-32	956-32	957-32	958-32	
902 - A8040	A80	40	70	70	27	41	70	955-40	956-40	957-40	958-40	
902 - A10016	A100	16	32	32	17	27	60	955-16	956-16	957-16	958-16	
902 - A10022	A100	22	40	40	19	31	60	955-22	956-22	957-22	958-22	
902 - A10027	A100	27	48	48	21	33	60	955-27	956-27	957-27	958-27	
902 - A10032	A100	32	58	58	24	38	60	955-32	956-32	957-32	958-32	
902 - A10040	A100	40	70	70	27	41	70	955-40	956-40	957-40	958-40	

Fräserhülsen HSK-A63 - 100 mit Anzugsgewinde für Morsekegel

morse taper adaptor HSK-A63 - 100

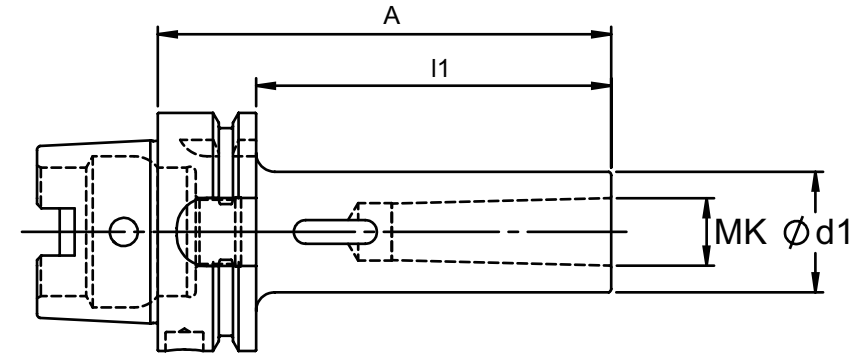


69893-1

Bestell-Nr. order number	HSK	MK	d1	d2	l1	l2	A			
405 - A63MK170	A63	1	18	26	78	70	104	957-MK1-SW5	952-SW5-200	GG,3/8.000
405 - A63MK280	A63	2	28	34	88	80	114	957-MK2-SW6	952-SW6-490	
405 - A63MK2135	A63	2	28	40	143	135	169	957-MK2-SW6	952-SW6-490	
405 - A63MK3100	A63	3	36	41	108	100	134	957-MK3-SW7	952-SW7-450	
405 - A63MK3145	A63	3	36	47	153	145	179	957-MK3-SW7	952-SW7-450	
405 - A63MK4130	A63	4	44	52	138	130	164	957-MK4-SW8	952-SW8-450	
405 - A63MK4175	A63	4	44	52	183	175	209	957-MK4-SW8	952-SW8-450	
405 - A80MK280	A80	2	28	34	88	80	114	957-MK2-SW6	952-SW6-490	
405 - A80MK2135	A80	2	28	40	143	135	169	957-MK2-SW6	952-SW6-490	
405 - A80MK3100	A80	3	36	41	108	100	134	957-MK3-SW7	952-SW7-450	
405 - A80MK3145	A80	3	36	47	153	145	179	957-MK3-SW7	952-SW7-450	
405 - A80MK4135	A80	4	44	53	143	135	169	957-MK4-SW8	952-SW8-450	
405 - A80MK4175	A80	4	44	58	183	175	209	957-MK4-SW8	952-SW8-450	
405 - A80MK5165	A80	5	56	62	173	165	199	957-MK5-SW10	952-SW10-355	
405 - A80MK5200	A80	5	56	62	208	200	234	957-MK5-SW10	952-SW10-355	
405 - A100MK280	A100	2	28	34	88	80	117	957-MK2-SW6	952-SW6-490	
405 - A100MK2135	A100	2	28	40	143	135	172	957-MK2-SW6	952-SW6-490	
405 - A100MK3100	A100	3	36	41	108	100	137	957-MK3-SW7	952-SW7-450	
405 - A100MK3145	A100	3	36	47	153	145	182	957-MK3-SW7	952-SW7-450	
405 - A100MK4135	A100	4	44	55	143	135	172	957-MK4-SW8	952-SW8-450	
405 - A100MK4175	A100	4	44	60	183	175	212	957-MK4-SW8	952-SW8-450	
405 - A100MK5165	A100	5	58	70	173	165	202	957-MK5-SW10	952-SW10-355	
405 - A100MK5215	A100	5	58	76	220	215	249	957-MK5-SW10	952-SW10-355	

Zwischenhülsen HSK-A50 - 100

morse taper adaptor, HSK-A50 - 100



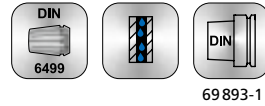
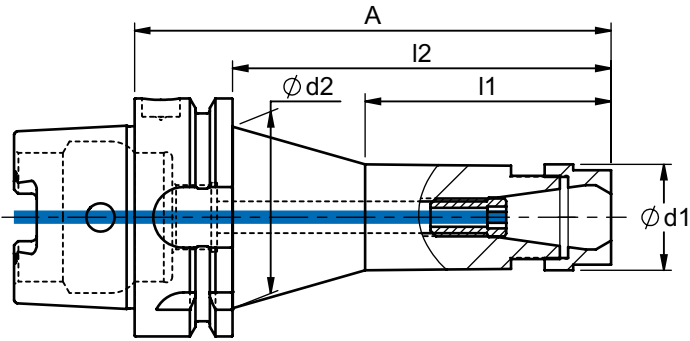
69893-1

Bestell-Nr. order number	HSK	MK	d1	l1	A	
906 - A50MK1	A50	1	25	74	100	GG,3/8.000
906 - A50MK2	A50	2	32	94	120	
906 - A50MK3	A50	3	40	114	140	
906 - A63MK1	A63	1	25	74	100	
906 - A63MK2	A63	2	32	94	120	
906 - A63MK3	A63	3	40	114	140	
906 - A63MK4	A63	4	48	134	160	
906 - A63MK5	A63	5	63	174	200	
906 - A80MK1	A80	1	25	74	100	
906 - A80MK2	A80	2	32	94	120	
906 - A80MK3	A80	3	40	114	140	
906 - A80MK4	A80	4	48	134	160	
906 - A80MK5	A80	5	63	164	190	
906 - A100MK1	A100	1	25	81	110	
906 - A100MK2	A100	2	32	91	120	
906 - A100MK3	A100	3	40	121	150	
906 - A100MK4	A100	4	48	141	170	
906 - A100MK5	A100	5	63	171	200	

Spannzangenfutter HSK-A50 - 100 für Spannzangen ER 16 mit Spannmutter UM

collet chucks HSK type-A50 - 100 for collets ER 16 with nut UM

Lieferumfang: HSK-Aufnahme mit Spannmutter UM
delivery: collet chuck with nut UM

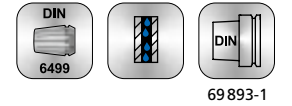
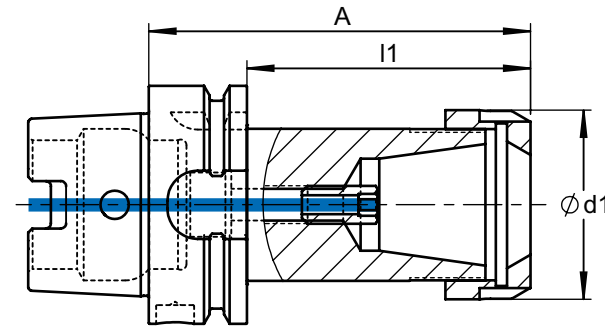


Bestell-Nr. order number	HSK	d1	d2	l1	l2	A				
910 - A3230	A32	28	28	-	30	50	953-UM16	-	954-034	G6,3/8.000
910 - A3260	A32	28	28	-	60	80	953-UM16	-	954-034	
910 - A5050	A50	28	42	43	50	76	953-UM16	-	954-034	
910 - A50100	A50	28	42	65	100	126	953-UM16	948-M10	954-034	
910 - A6350	A63	28	42	43	50	76	953-UM16	-	954-034	
910 - A63100	A63	28	48	65	100	126	953-UM16	948-M10	954-034	
910 - A63100ZY	A63	28	28	100	100	126	953-UM16	948-M10	954-034	
910 - A63150	A63	28	53	65	150	176	953-UM16	948-M10	954-034	
910 - A63150ZY	A63	28	28	150	150	176	953-UM16	948-M10	954-034	
910 - A100A100	A100	28	28	61	71	100	953-UM16	948-M10	954-034	
910 - A100A120	A100	28	28	81	91	120	953-UM16	948-M10	954-034	
910 - A100A200	A100	28	28	161	171	200	953-UM16	948-M10	954-034	
910 - A100100	A100	28	48	65	100	129	953-UM16	948-M10	954-034	

Spannzangenfutter HSK-A32 - 100 für Spannzangen ER 25/32/40 mit Spannmutter UM

collet chucks HSK-A32 - 100 for collets ER 25/32/40 with nut UM

Lieferumfang: HSK-Aufnahme mit Spannmutter UM
delivery: collet chuck with nut UM

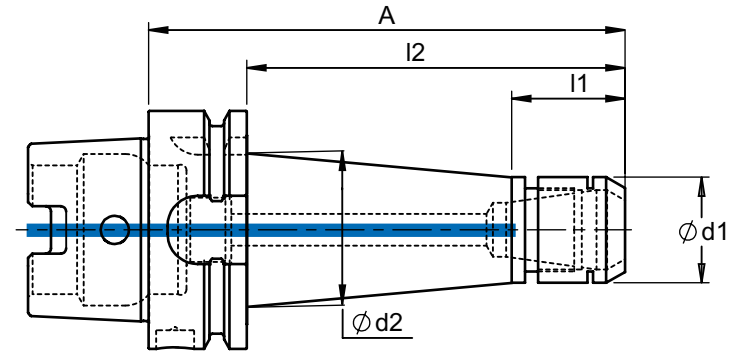


Bestell-Nr. order number	HSK	ER	d1	l1	A				
912 - A3245	A32	25	42	45	45	953-UM25	-	954-013ER25	G6,3/8.000
913 - A3260	A32	32	50	60	80	953-UM32	-	954-014ER32	
912 - A4060	A40	25	42	60	80	953-UM25	948-M12	954-013ER25	
913 - A4060	A40	32	50	60	80	953-UM32	948-M16	954-014ER32	
912 - A5050	A50	25	42	50	76	953-UM25	-	954-013ER25	
913 - A5050	A50	32	50	50	76	953-UM32	-	954-014ER32	
912 - A6350	A63	25	42	50	76	953-UM25	-	954-013ER25	
912 - A6375	A63	25	42	75	101	953-UM25	-	954-013ER25	
912 - A63100	A63	25	42	100	126	953-UM25	948-M12	954-013ER25	
913 - A6350	A63	32	50	50	76	953-UM32	-	954-014ER32	
913 - A6375	A63	32	50	75	101	953-UM32	948-M16	954-014ER32	
913 - A63100	A63	32	50	100	126	953-UM32	948-M16	954-014ER32	
914 - A6350	A63	40	63	50	76	953-UM40	-	954-015ER40	
914 - A6390	A63	40	63	90	116	953-UM40	948-M16	954-015ER40	
914 - A63A120	A63	40	63	94	120	953-UM40	948-M16	954-015ER40	
914 - A63A160	A63	40	63	134	160	953-UM40	948-M16	954-015ER40	
913 - A8075	A80	32	50	75	101	953-UM32	948-M16	954-014ER32	
914 - A8075	A80	40	63	75	101	953-UM40	948-M16	954-015ER40	
914 - A80A120	A80	40	63	94	120	953-UM40	948-M16	954-015ER40	
912 - A10070	A100	25	42	70	99	953-UM25	948-M12	954-013ER25	
912 - A100100	A100	25	42	100	129	953-UM25	948-M12	954-013ER25	
912 - A100A160	A100	25	42	131	160	953-UM25	948-M12	954-013ER25	
912 - A100A200	A100	25	42	171	200	953-UM25	948-M12	954-013ER25	
913 - A10050	A100	32	50	50	79	953-UM32	-	954-014ER32	
913 - A10070	A100	32	50	70	99	953-UM32	948-M16	954-014ER32	
913 - A100100	A100	32	50	100	129	953-UM32	948-M16	954-014ER32	
913 - A100A100	A100	32	50	71	100	953-UM32	948-M16	954-014ER32	
913 - A100A120	A100	32	50	91	120	953-UM32	948-M16	954-014ER32	
913 - A100A160	A100	32	50	131	160	953-UM32	948-M16	954-014ER32	
913 - A100A200	A100	32	50	171	200	953-UM32	948-M16	954-014ER32	
914 - A10075	A100	40	63	75	104	953-UM40	948-M16	954-015ER40	
914 - A10090	A100	40	63	90	119	953-UM40	948-M16	954-015ER40	
914 - A100100	A100	40	63	100	129	953-UM40	948-M16	954-015ER40	
914 - A100A120	A100	40	63	91	120	953-UM40	948-M16	954-015ER40	




Spannzangenfutter HSK-A32 - 100 für Spannzangen ER 11/16/20 mit Spannmutter HS

collet chucks HSK-A32 - 100 for collets ER 11/16/20 with nut HS

Lieferumfang: HSK-Aufnahme mit Spannmutter HS
delivery: collet chuck with nut HS

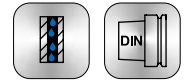
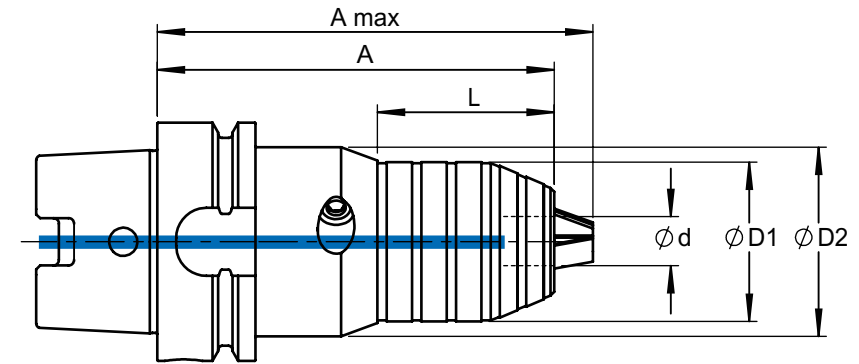


69893-1

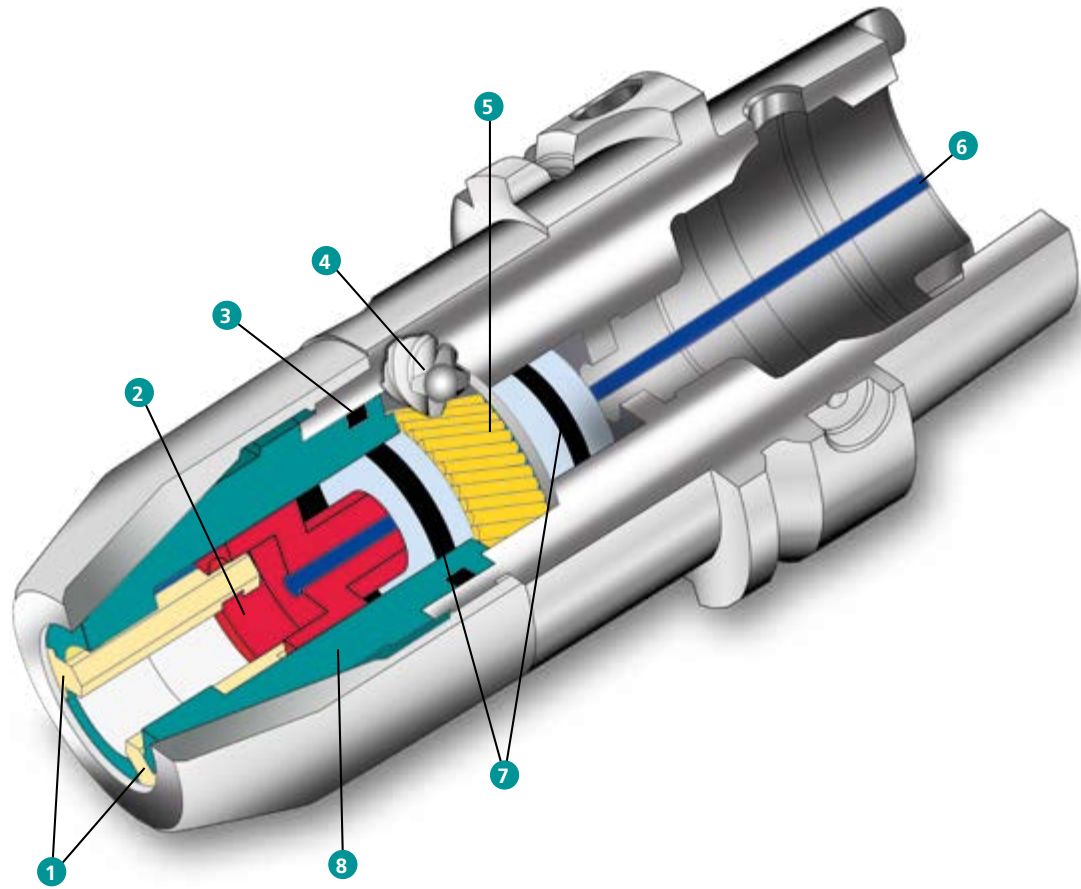
Bestell-Nr. order number	HSK	ER	d1	d2	l1	l2	A			
918 - A3230	A32	11	16	19	21	30	50	953-ER11-02	954-11	G2,5/15.000 oder/or U<1gmm
919 - A3230	A32	16	22	22	-	30	50	953-ER16-02	954-16	
919 - A3270	A32	16	22	26	28	70	90	953-ER16-02	954-16	
911 - A3235	A32	20	28	24	-	35	55	953-ER20-02	954-063E20	
919 - A4050	A40	16	22	30	29	50	70	953-ER16-02	954-16	
911 - A4050	A40	20	28	32	30	50	70	953-ER20-02	954-063E20	
911 - A5040	A50	20	28	34	30	40	66	953-ER20-02	954-063E20	
911 - A5080	A50	20	28	37	30	80	106	953-ER20-02	954-063E20	
911 - A6350	A63	20	28	37	30	50	76	953-ER20-02	954-063E20	
911 - A63100	A63	20	28	50	30	100	126	953-ER20-02	954-063E20	
911 - A63150	A63	20	28	53	30	150	176	953-ER20-02	954-063E20	
911 - A63150ZY	A63	20	28	28	-	150	176	953-ER20-02	954-063E20	
911 - A63200	A63	20	28	53	30	200	226	953-ER20-02	954-063E20	
911 - A8050	A80	20	28	37	30	50	76	953-ER20-02	954-063E20	
911 - A80100	A80	20	28	50	30	100	126	953-ER20-02	954-063E20	
911 - A10050	A100	20	28	37	30	50	79	953-ER20-02	954-063E20	
911 - A100100	A100	20	28	50	30	100	129	953-ER20-02	954-063E20	

CNC- Bohrfutter HSK-A40 - 100 für Rechts- und Linkslauf

CNC - drill chucks HSK-A40 - 100 for clockwise and anti clockwise rotation



69893-1



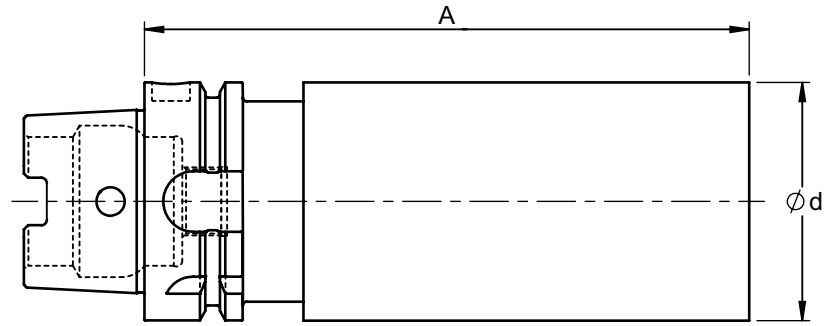
- | | |
|----------------------------|-----------------------|
| 1 Spannbacken | 1 Clamping jaws |
| 2 Backenantrieb | 2 Jaws driver |
| 3 Abdichtung Backenführung | 3 Seal for jaws guide |
| 4 Schnecke | 4 Worm |
| 5 Schneckenrad | 5 Worm gear |
| 6 IKZ | 6 Internal cooling |
| 7 Abdichtung Getriebe | 7 Seal for gearbox |
| 8 Backenführung | 8 Jaws guide |

Bestell-Nr. order number	HSK	d	D1	D2	L	A	A max.	
407 - A4008A95	A40	0,5 - 8	34,5	45,0	40,0	95,0	97,5	G6,3/8.000
407 - A5008A100	A50	0,5 - 8	34,5	45,0	40,0	100,0	102,5	
407 - A5013A110	A50	1 - 13	42,0	50,0	47,0	110,0	119,0	
407 - A5016A110	A50	2,5 - 16	49,0	50,0	50,0	110,0	121,0	
407 - A6308A92	A63	0,5 - 8	34,5	45,0	40,0	92,0	94,5	
407 - A6313A105	A63	1 - 13	42,0	50,0	47,0	105,0	114,0	
407 - A6313A160	A63	1 - 13	42,0	50,0	47,0	160,0	169,0	
407 - A6316A105	A63	2,5 - 16	49,0	50,0	50,0	105,0	116,0	
407 - A8013A105	A80	1 - 13	42,0	50,0	47,0	105,0	114,0	
407 - A8016A105	A80	2,5 - 16	49,0	50,0	50,0	105,0	116,0	
407 - A10013A110	A100	1 - 13	42,0	50,0	47,0	110,0	119,0	
407 - A10016A110	A100	2,5 - 16	49,0	50,0	50,0	110,0	121,0	

Rohlinge HSK-A32 - 100

blanks HSK-A32 - 100

Ausführung: Kegel und Bund gehärtet und geschliffen.
 Verwendung: Zur Herstellung von Sonderwerkzeugen.
 Execution: taper and collar hardened and ground.
 Application: For producing your own special tools.



69 893-1

Bestell-Nr. order number	HSK	d	A						
917 - A32140	A32	32	140						
917 - A32120-40	A32	40	120						
917 - A4070	A40	40	70						
917 - A40120	A40	40	120						
917 - A50150	A50	51	150						
917 - A63160	A63	63	160						
917 - A63200	A63	63	200						
917 - A63250-84	A63	84	250						
917 - A80125-65	A80	65	125						
917 - A80250	A80	82	250						
917 - A100250	A100	95	250						

Werkzeugaufnahmen HSK-E

Tool holders HSK-E

Seite
Page

Fräsaufnahmen für Einschraubfräser
Modular screw on holder

76 - 81

Fräsdorne
Arbors for shell cutters

82 - 83

Zwischenhülsen
Morse taper adaptors

84

Weldofutter
Side lock adapter

85

Spannzangenfutter
Collet chucks

86 - 88

CNC-Bohrfutter
CNC-drill chucks

89

Rohlinge
Blanks

90

Andere Ausführungen und Längen auf Anfrage lieferbar.
Specials on request.