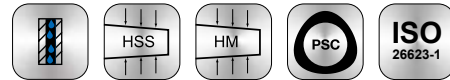
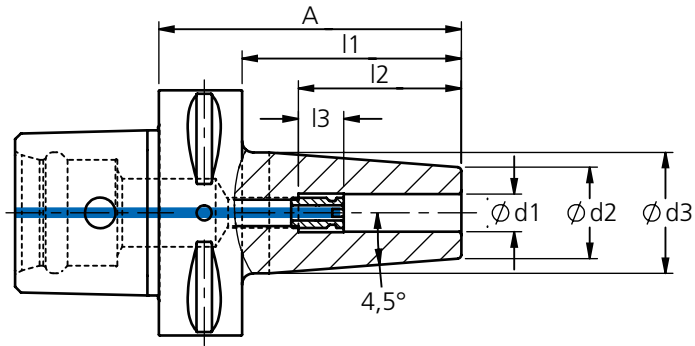


Schrumpffutter PSC-63, standard Ausführung 4,5°, inkl. Längeneinstellschraube

Shrink fit chuck PSC-63, standard execution 4,5°, incl. length adjusting screw

Mandrin de frettage PSC-63, exécution 4,5°, vis de réglage axial inclus

Mandri per calettamento a caldo PSC-63, rastremazione 4,5°, inclusa vite per regolazione assiale



Bestell-Nr. order number No.	PSC	Ø d1	Ø d2	Ø d3	A	l1	l2	l3		
985 - PSC6303A80	63	3	11	15	80	58	12	10	-	
985 - PSC6304A80	63	4	14	22	80	58	16	10	-	
985 - PSC6305A80	63	5	16	22	80	58	20	10	-	
985 - PSC6306A80	63	6	21	27	80	58	36	10	948-001	
985 - PSC6306A120	63	6	21	27	120	98	36	10	948-001	
985 - PSC6306A160	63	6	21	27	160	138	36	10	948-001	
985 - PSC6308A80	63	8	21	27	80	58	36	10	948-002	
985 - PSC6308A120	63	8	21	27	120	98	36	10	948-002	
985 - PSC6308A160	63	8	21	27	160	138	36	10	948-002	
985 - PSC6310A80	63	10	24	32	80	58	41	10	948-003	
985 - PSC6310A120	63	10	24	32	120	98	41	10	948-003	
985 - PSC6310A160	63	10	24	32	160	138	41	10	948-003	
985 - PSC6312A80	63	12	24	32	80	58	47	10	948-004	
985 - PSC6312A120	63	12	24	32	120	98	47	10	948-004	
985 - PSC6312A160	63	12	24	32	160	138	47	10	948-004	
985 - PSC6314A85	63	14	27	34	85	63	47	10	948-004	
985 - PSC6314A120	63	14	27	34	120	98	47	10	948-004	
985 - PSC6316A85	63	16	27	34	85	63	50	10	948-004	
985 - PSC6316A120	63	16	27	34	120	98	50	10	948-005	
985 - PSC6316A160	63	16	27	34	160	138	50	10	948-005	
985 - PSC6318A85	63	18	33	42	85	63	50	10	948-005	
985 - PSC6318A120	63	18	33	42	120	98	50	10	948-005	
985 - PSC6320A85	63	20	33	42	85	63	52	10	948-006	
985 - PSC6320A120	63	20	33	42	120	98	52	10	948-006	
985 - PSC6325A90	63	25	44	52	90	68	58	10	948-006	
985 - PSC6332A95	63	32	44	52	95	73	62	10	948-006	

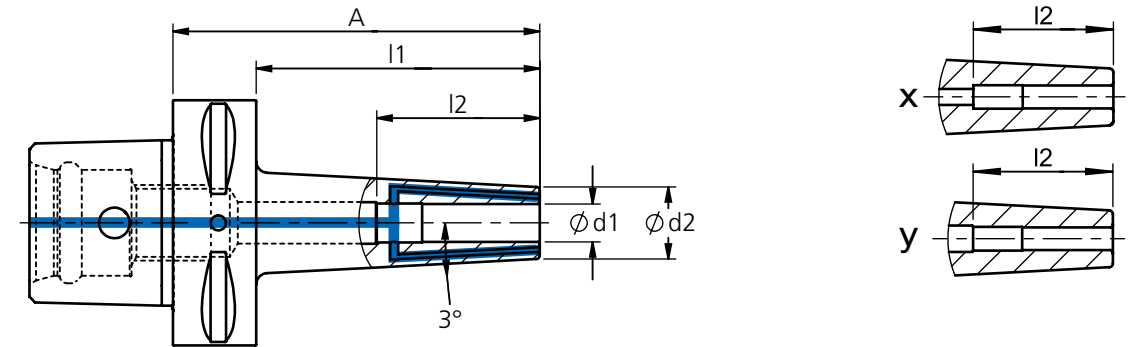
G2,5/25.000
oder/or
U<1gmm

Schrumpffutter PSC-63, schlanke Ausführung 3° mit 3 Kühlkanälen Ø1mm

Shrink fit chuck PSC-63, slim execution 3° with 3 cooling jets

Mandrin de frettage PSC-63, exécution mince 3° avec 3 canal d'arrosage Ø1mm

Mandri per calettamento a caldo PSC-63, rastremazione 3° con N°3 ugelli di adduzione Ø1mm

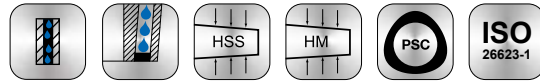
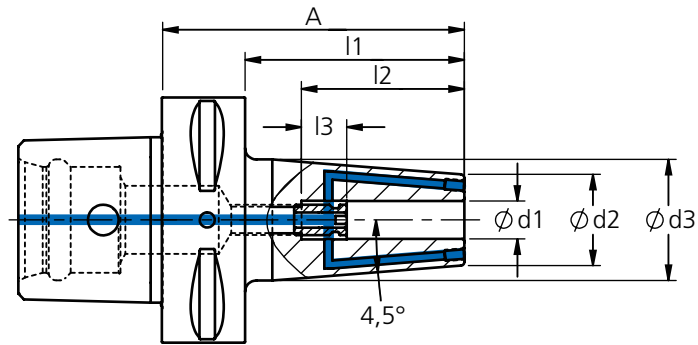


Bestell-Nr. order number No.	PSC	Ø d1	Ø d2	Ø d3	A	l1	l2	x	y	
996 - PSC630450	63	4	11	-	72	50	16		x	
996 - PSC630475	63	4	11	-	97	75	16		x	
996 - PSC6304100	63	4	11	-	122	100	16		x	
996 - PSC630650	63	6	15	-	72	50	36		x	
996 - PSC630675	63	6	15	-	97	75	36		x	
996 - PSC6306100	63	6	15	-	122	100	36		x	
996 - PSC630850	63	8	17	-	72	50	36		x	
996 - PSC630875	63	8	17	-	97	75	36		x	
996 - PSC6308100	63	8	17	-	122	100	36		x	
996 - PSC631050	63	10	19	-	72	50	41	x		
996 - PSC631075	63	10	19	-	97	75	41	x		
996 - PSC6310100	63	10	19	-	122	100	41	x		
996 - PSC631250	63	12	22	-	72	50	47	x		
996 - PSC631275	63	12	22	-	97	75	47	x		
996 - PSC6312100	63	12	22	-	122	100	47	x		

G2,5/25.000
oder/or
U<1gmm

Schrumpffutter PSC-63, standard Ausführung 4,5° mit verschließbaren Kühlkanälen, inkl. Längeneinstellschraube

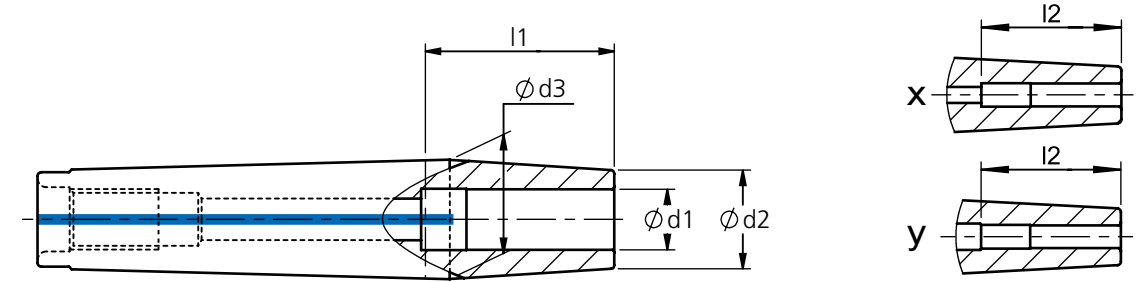
Shrink fit chuck PSC-63, standard execution 4,5° with closeable cooling jets, incl. length adjusting screw
Mandrin de frettage PSC-63, exécution 4,5° avec canal d'arrosage obturables, vis de réglage axial inclus
Mandrini per calettamento a caldo PSC-63, rastremazione 4,5° con ugelli di adduzione otturabili, inclusa vite per regolazione assiale



Bestell-Nr. order number No.	PSC	Ø d1	Ø d2	Ø d3	A	l1	l2	l3		
995 - PSC6303A80	63	3	11	15	80	58	12	10	-	G2,5/25.000 oder/or U<1gmm
995 - PSC6304A80	63	4	14	22	80	58	16	10	-	
995 - PSC6305A80	63	5	16	22	80	58	20	10	-	
995 - PSC6306A80	63	6	21	27	80	58	36	10	948-001	
995 - PSC6306A120	63	6	21	27	120	98	36	10	948-001	
995 - PSC6308A80	63	8	21	27	80	58	36	10	948-002	
995 - PSC6308A120	63	8	21	27	120	98	36	10	948-002	
995 - PSC6310A80	63	10	24	32	80	58	41	10	948-003	
995 - PSC6310A120	63	10	24	32	120	98	41	10	948-003	
995 - PSC6312A80	63	12	24	32	80	58	47	10	948-004	
995 - PSC6312A120	63	12	24	32	120	98	47	10	948-004	
995 - PSC6314A85	63	14	27	34	85	63	47	10	948-004	
995 - PSC6314A120	63	14	27	34	120	98	47	10	948-004	
995 - PSC6316A85	63	16	27	34	85	63	50	10	948-004	
995 - PSC6316A120	63	16	27	34	120	98	50	10	948-005	
995 - PSC6318A85	63	18	33	42	85	63	50	10	948-005	
995 - PSC6318A120	63	18	33	42	120	98	50	10	948-005	
995 - PSC6320A85	63	20	33	42	85	63	52	10	948-006	
995 - PSC6320A120	63	20	33	42	120	98	52	10	948-006	
995 - PSC6325A90	63	25	44	52	90	68	58	10	948-006	

Schrumpferverlängerungen, Morsekegelausführung

Shrinking extensions, morse taper shank
Adaptateur cône morse, pour le frettage
Prolunghe cono Morse per calettamento a caldo



Bestell-Nr. order number No.	ER	Ø d1	Ø d2	Ø d3	A	l1	l2	x	y
915-MK20380	MK2	3	11	18	-	80	12		x
915-MK20480	MK2	4	11	18	-	80	16		x
915-MK20580	MK2	5	13	18	-	80	20		x
915-MK20640	MK2	6	15	18	-	40	36	x	
915-MK20670	MK2	6	15	18	-	70	36	x	
915-MK20840	MK2	8	17	18	-	40	36	x	
915-MK20870	MK2	8	17	18	-	70	36	x	
915-MK21040	MK2	10	18	18	-	40	41	x	
915-MK21070	MK2	10	18	18	-	70	41	x	
915-MK30660	MK3	6	15	24	-	60	36	x	
915-MK30680	MK3	6	15	24	-	80	36	x	
915-MK306100	MK3	6	15	24	-	100	36	x	
915-MK306150	MK3	6	15	24	-	150	36	x	
915-MK30875	MK3	8	17	24	-	75	36	x	
915-MK308100	MK3	8	17	24	-	100	36	x	
915-MK308150	MK3	8	17	24	-	150	36	x	
915-MK31045	MK3	10	19	24	-	45	41	x	
915-MK31075	MK3	10	19	24	-	75	41	x	
915-MK310100	MK3	10	19	24	-	100	41	x	
915-MK310150	MK3	10	19	24	-	150	41	x	
915-MK31240	MK3	12	22	24	-	40	47	x	
915-MK31270	MK3	12	22	24	-	70	47	x	
915-MK312100	MK3	12	22	24	-	100	47	x	
915-MK312150	MK3	12	22	24	-	150	47	x	
915-MK406100	MK4	6	15	31,5	-	100	36	x	
915-MK406150	MK4	6	15	31,5	-	150	36	x	
915-MK408100	MK4	8	17	31,5	-	100	36	x	
915-MK408150	MK4	8	17	31,5	-	150	36	x	
915-MK410100	MK4	10	19	31,5	-	100	41	x	
915-MK410150	MK4	10	19	31,5	-	150	41	x	
915-MK412100	MK4	12	22	31,5	-	100	47	x	
915-MK412150	MK4	12	22	31,5	-	150	47	x	
915-MK41650	MK4	16	26	31,5	-	50	50	x	
915-MK416100	MK4	16	26	31,5	-	100	50	x	
915-MK416150	MK4	16	26	31,5	-	150	50	x	