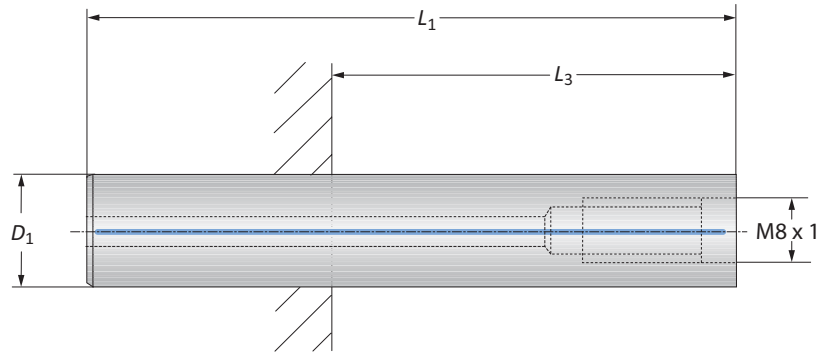
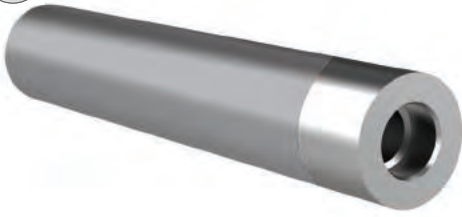


## Shanks

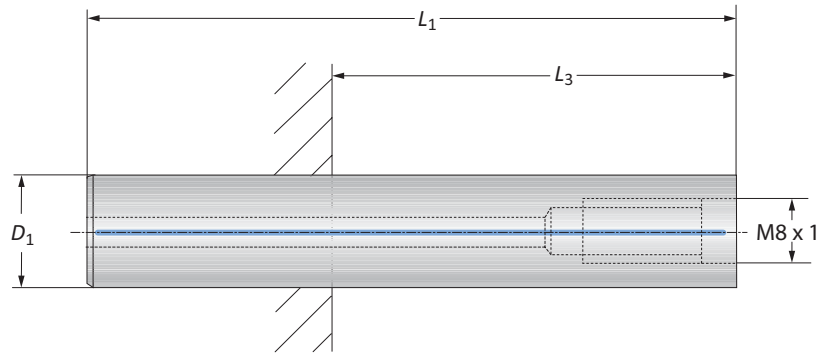
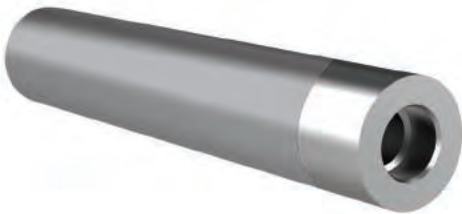
Steel | Carbide



### Steel Shanks

Connection	Shank			$L_3$ min*			Weight	Part No.
	$D_1$	$L_1$	$L_3$ max*	SK 40+50	HSK-A 63	HSK-A 100		
M8 x 1	15.00	85.00	37.00	–	–	–	0.10 (kg)	248136
M8 x 1	18.00	100.00	52.00	–	5.00	12.00	0.20 (kg)	248137
M8 x 1	23.00	117.00	69.00	–	22.00	29.00	0.40 (kg)	248138

\* $L_3$  dimensions apply to collet chucks



### Carbide Shanks

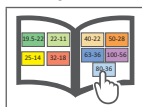
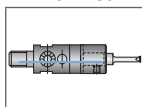
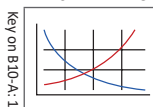
Connection	Shank			$L_3$ min*				Weight	Part No.
	$D_1$	$L_1$	$L_3$ max*	SK 40	SK 50	HSK-A 63	HSK-A 100		
M8 x 1	15.00	130.00	82.00	20.00	20.00	35.00	42.00	0.30 (kg)	248142
M8 x 1	18.00	155.00	107.00	39.00	21.00	60.00	67.00	0.60 (kg)	248143
M8 x 1	23.00	180.00	132.00	64.00	46.00	85.00	92.00	1.10 (kg)	248144
M8 x 1	23.00	242.00	194.00	126.00	108.00	147.00	154.00	1.40 (kg)	248145

\* $L_3$  dimensions apply to collet chucks

B10-M: 12-13

B10-A: 30

B10: vi-vii



m = Metric (mm)