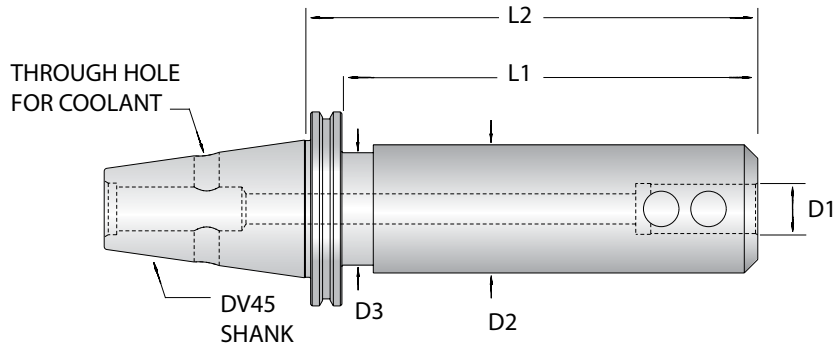


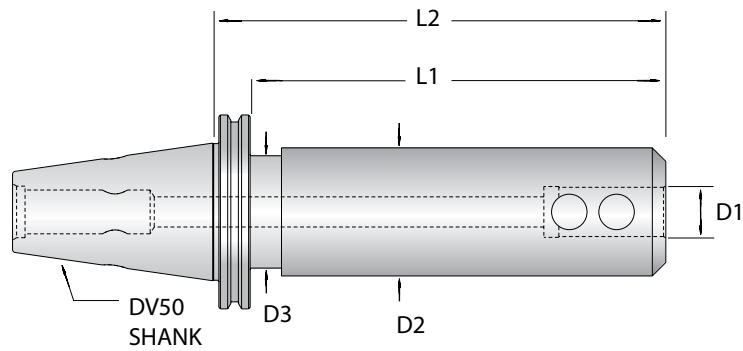
Structural Steel Adaptors

DV45 & DV50 Adaptors



DV45 Adaptor

| Item Number | Outer Taper | D1 Inner ϕ mm | D2 ϕ | D3 ϕ | L1 | L2 | Qty of Clamping Screws |
|-----------------|-------------|--------------------|-----------|-----------|-----|-----|------------------------|
| AMDV45-EM20-120 | DV45 | 20 | 52 | 57 | 101 | 120 | 1 |
| AMDV45-EM25-120 | DV45 | 25 | 65 | 57 | 101 | 120 | 2 |
| AMDV45-EM32-120 | DV45 | 32 | 78 | 57 | 101 | 120 | 2 |
| AMDV45-EM20-230 | DV45 | 20 | 52 | 57 | 211 | 230 | 1 |
| AMDV45-EM25-230 | DV45 | 25 | 65 | 57 | 211 | 230 | 2 |
| AMDV45-EM32-230 | DV45 | 32 | 78 | 57 | 211 | 230 | 2 |



DV50 Adaptor

| Item Number | Outer Taper | D1 Inner ϕ mm | D2 ϕ | D3 ϕ | L1 | L2 | Qty of Clamping Screws |
|-----------------|-------------|--------------------|-----------|-----------|-----|-----|------------------------|
| AMDV45-EM50-120 | DV50 | 50 | 100 | 69.858 | 100 | 120 | 2 |