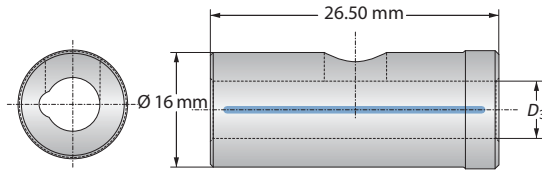


Accessories

Metric Reducing Sleeves



Reducing Sleeves

Reducing Sleeve		Weight	Part No.
	D_3		
m	4.00	0.05 (kg)	450129
	5.00	0.04 (kg)	450130
	7.00	0.04 (kg)	450132
	8.00	0.04 (kg)	450133
	10.00	0.03 (kg)	450134
	12.00	0.02 (kg)	450135
	14.00	0.01 (kg)	450136

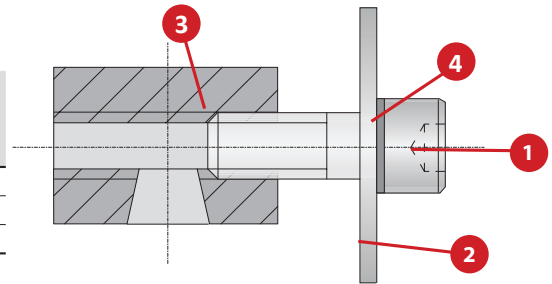
 = Metric (mm)

Accessories

Clamping Elements | Thread Pin | Balancing Element | 3E^{TECH} Accessories

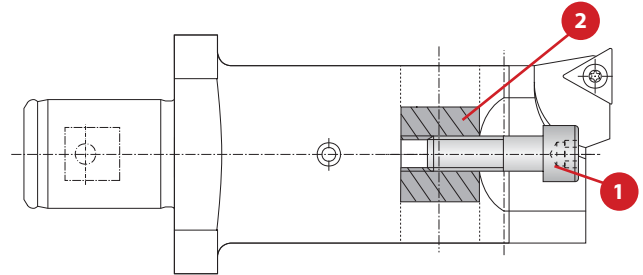
Clamping Elements for Insert Holders

Boring Range	1 Cap Screw	Hex Size	2 Washer	3 Clamping Nut	4 Locking Washer	Complete Part No.
4 - 30	070153	s5	315155	236120	215254	236088
29 - 66	070153	s5	315156	236120	215254	236089
52 - 102	115147	s5	115725	236120	-	236020



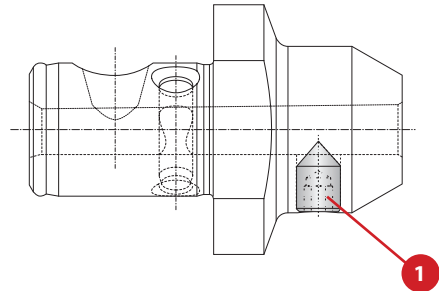
Clamping Elements for Serrated Tool Body

1 Cap Screw	Hex Size	2 Clamping Piece
027154	s4	145184



Thread Pin

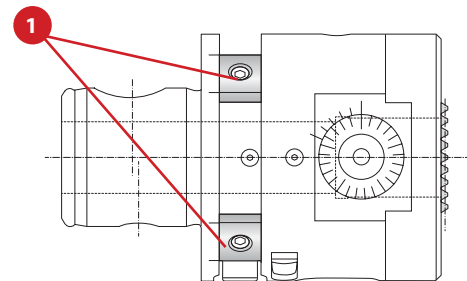
Service Key	1 Part No.
S3 / A	415244



Balancing Element

Nominal Size	Key Size / Type	1 Part No.
M8 x 1.25 x 8	s2 / A	536005

NOTE: Balancing elements sold separately



3E^{TECH+} Accessories

1 Charging Unit
Part No.
536016

NOTE: Charging unit sold separately from 3E^{TECH+}

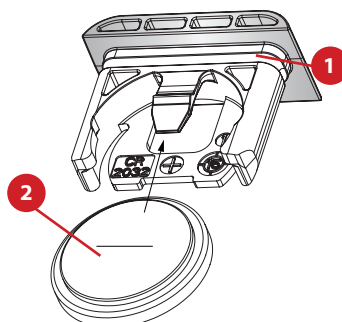


NOTE: 3E^{TECH+} adjustment accuracy of 0.001 mm on diameter

3E^{TECH} Accessories (Old Display)

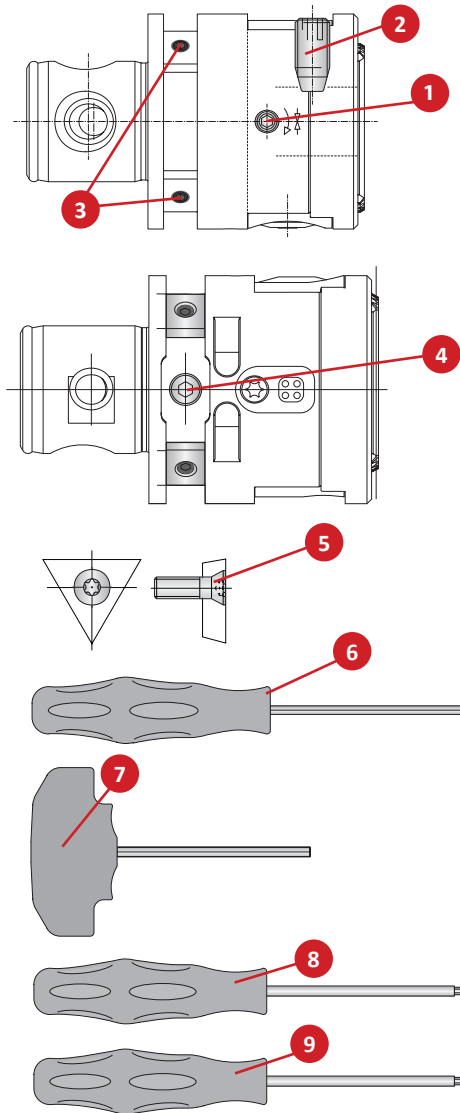
1 Sealing Ring	2 Battery CR2032
Part No.	Part No.
215483	515491

NOTE: Not required for 3E^{TECH+} (New Display)



Accessories

No.	Part	Insert Form	Size	Part No.
1	Clamping screw	-	-	070333
2	Thread pin for tool clamping	-	-	215674
3	Clamping screw for balance weight	-	-	115470
4	Balancing screw plug	-	-	115119
5	Insert screws	Form 20 Form 101 Form 211	T7 T8 T6	115535 115676 215377
6	Hex wrench	-	s2.5 s2	115575 215473
7	Hex wrench	-	s4	115576
8	Torx driver	-	T6 T7 T8	115537 115591 115590
9	Torx screwdriver	Form 211 Form 20 Form 101	T6 T7 T8	415507 415508 415514



No.	Part	Size	Part No.
1	Screw for securing insert holder	T25	415112
2	Clamping piece	-	145184
3	Cap screw for securing insert holders	s4	027154
4	Cap screw for securing insert holder/counterweight	s4	315248
5	Set screw - coolant	s1.5	114224
6	Cap screw for securing serrated slide	s3	116289
8	Sealing ring for coolant delivery	-	415386

