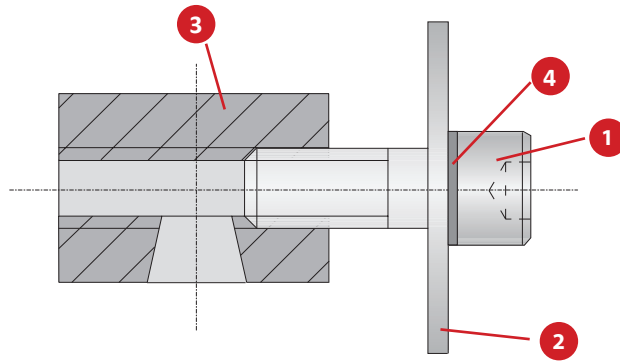


Accessories

Clamping Elements

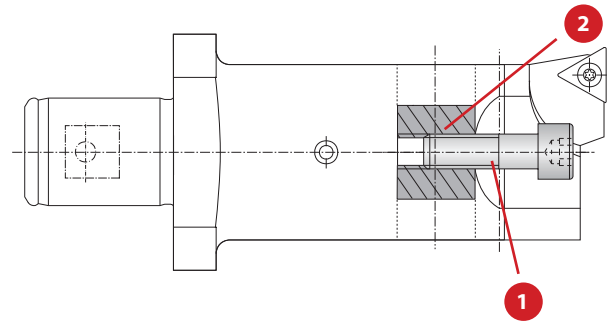


Clamping Elements for Insert Holders

| | 1 | | 2 | 3 | 4 | |
|---------------|-----------|----------|--------|--------------|----------------|-------------------|
| Boring Range | Cap Screw | Hex Size | Washer | Clamping Nut | Locking Washer | Complete Part No. |
| 4.00 - 30.00 | 070153 | s5 | 315155 | 236120 | 215254 | 236088 |
| 29.00 - 66.00 | 070153 | s5 | 315156 | 236120 | 215254 | 236089 |

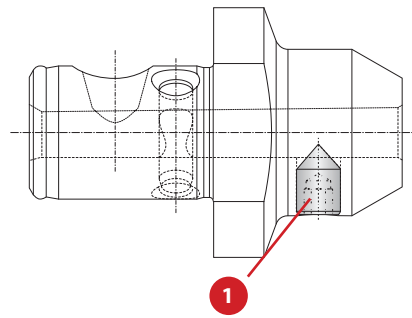
Clamping Elements for Serrated Tool Body

| 1 | | 2 |
|-----------|----------|----------------|
| Cap Screw | Hex Size | Clamping Piece |
| 027154 | s4 | 145184 |



Thread Pin

| | 1 |
|-------------|----------|
| Service Key | Part No. |
| S3 / A | 415244 |



 = Metric (mm)