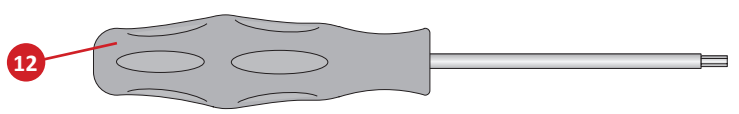
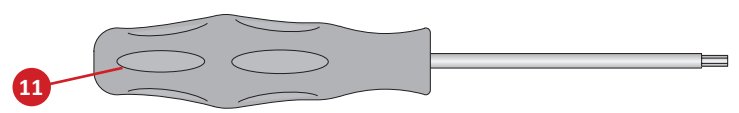
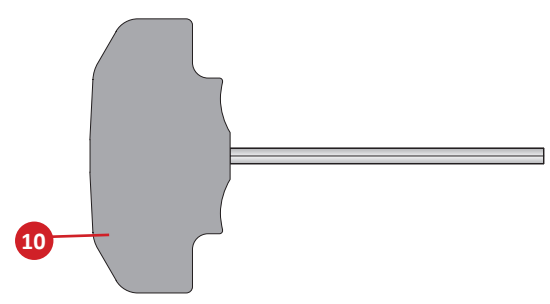
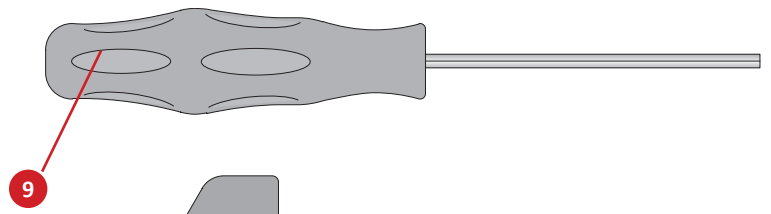
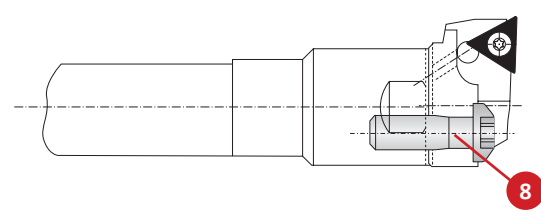
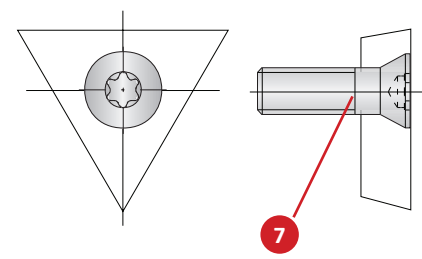
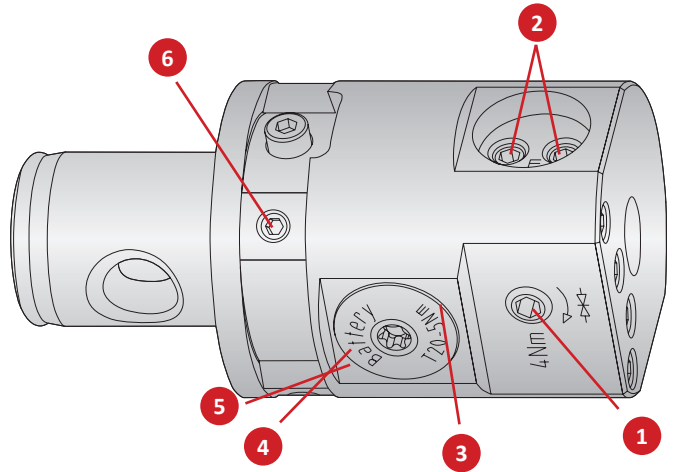


Boring Head Accessories

No.	Part	Insert Form	Size	Part No.
				<b>510001</b>
1	Clamping screw	-	-	<b>115985</b>
2	Thread pin for tool clamping	-	-	<b>070333</b>
3	Sealing ring for battery cover	-	-	<b>415895</b>
4	Battery*	-	-	<b>415896</b>
5	Battery cover with sealing ring	-	-	<b>501016</b>
6	Thread pin	-	-	<b>510114</b>
7	Insert screws	Form 20 Form 101 Form 211	T7 T8 T6	<b>115535</b> <b>115676</b> <b>515286</b>
8	Clamping Screw	-	T25	<b>415112</b>
9	Hex wrench	-	s2	<b>215473</b>
10	Hex wrench	-	s2.5 s3.0 s4.0	<b>415577</b> <b>415578</b> <b>115576</b>
11	Torx driver	-	T6 T7 T8 T20	<b>115537</b> <b>115591</b> <b>115590</b> <b>215150</b>
12	Torx screw-driver	Form 211 Form 20 Form 101	T6 T7 T8	<b>415507</b> <b>415508</b> <b>415514</b>



\*Always change two batteries  
**NOTE:** Please use VARTA batteries

A  
B  
C  
D  
E  
F  
G  
H  
I  
J  
K  
L  
M  
INDEX