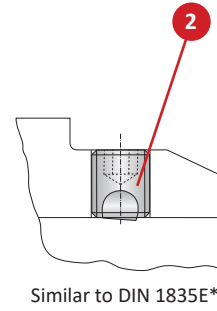
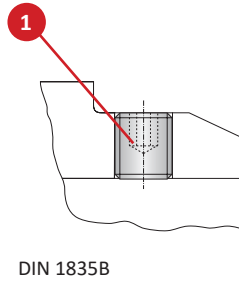
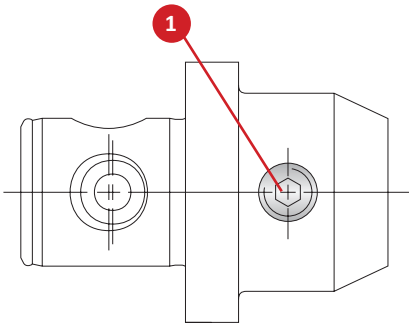
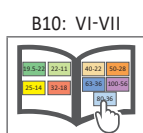
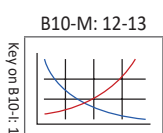


Accessories for Adapter Sleeves



Clamping Diameter	1 Thread Pin		2 Ball Pressure Screw		
	Part No.	Service Key	Part No.	Service Key	Thread
6.00	115680	s3 / B	315788	s3 / B	M6 x 1
8.00	115681	s4 / B	315789	s4 / B	M8 x 1.25
10.00	115682	s5 / B	515535	s5 / B	M10 x 1.5
12.00	115683	s6 / B	315790	s6 / B	M12 x 1.75
14.00	115683	s6 / B	315790	s6 / B	M12 x 1.75
16.00	115684	s6 / B	515675	s6 / B	M14 x 2
18.00	115684	s6 / B	515675	s6 / B	M14 x 2
20.00	115685	s8 / B	515676	s8 / B	M16 x 2
25.00	115686	s10 / B	515677	s10 / B	M18 x 2 (2x)
32.00	115687	s10 / B	515678	s10 / B	M20 x 2 (2x)
40.00	115687	s10 / B	515678	s10 / B	M20 x 2 (2x)

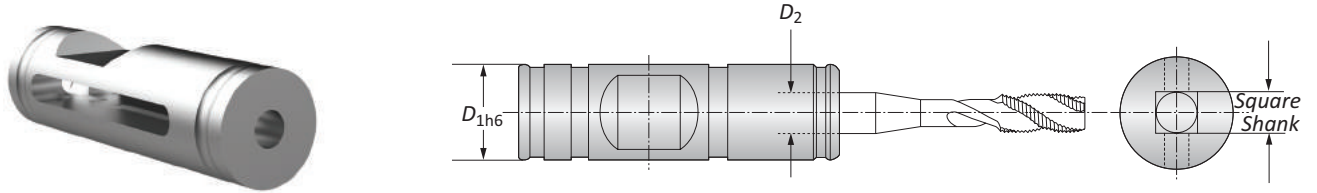
*Without axial adjustment.



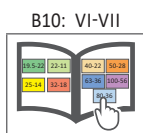
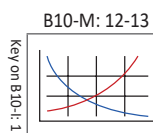
 = Metric (mm)

Accessories for Adapter Sleeves

Adapter Sleeve for Tap Shanks Suitable for Reduction Sleeves with Shanks to DIN 1835-B



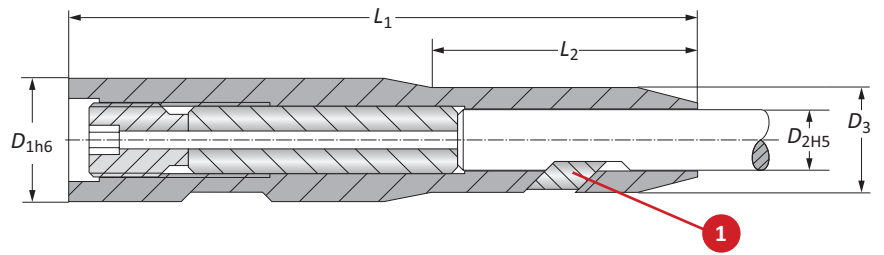
Adapter Sleeves			
	D_{1h6}	D_2 x Square Shank	Part No.
	8.00	2.10 x 2.50	271190
	8.00	2.10 x 2.80	271191
	10.00	2.70 x 3.50	271192
	10.00	3.00 x 4.00	271193
	10.00	3.40 x 4.50	271194
	12.00	4.90 x 6.00	271195
	14.00	5.50 x 7.00	271196
	14.00	6.20 x 8.00	271197
	16.00	7.00 x 9.00	271198
	16.00	8.00 x 10.00	271199
m	18.00	9.00 x 11.00	271200
	20.00	9.00 x 12.00	271201
	25.00	11.00 x 14.00	271202
	25.00	12.00 x 16.00	271203
	32.00	14.50 x 18.00	271204
	32.00	16.00 x 20.00	271205
	32.00	18.00 x 22.00	271206
	40.00	20.00 x 25.00	271207
	40.00	22.00 x 28.00	271208
	50.00	24.00 x 32.00	271209
	50.00	29.00 x 36.00	271210
	50.00	32.00 x 40.00	271211



m = Metric (mm)

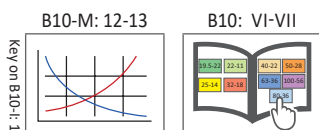
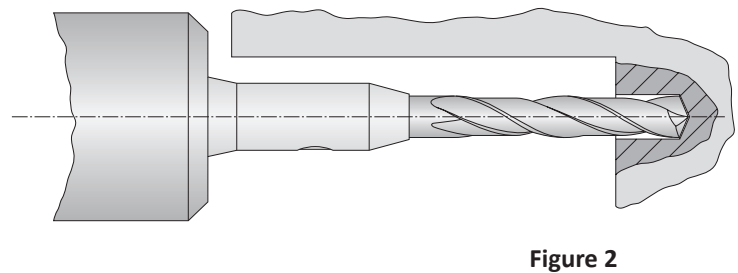
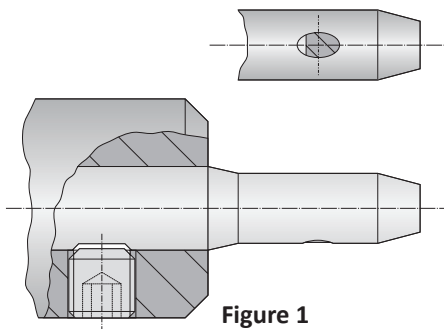
Accessories for Adapter Sleeves

Adapter Sleeve for Tap Shanks Suitable for Reduction Sleeves with Shanks to DIN 1835-B



m	Micro Clamping Chucks					1 Clamping Wedge	
	D_{1h6}	D_{2H5}	D_3	L_1	L_2	Part No.	Part No.
	16.00	6.00	12.00	100.00	40.00	219170	219070
	16.00	8.00	14.00	100.00	45.00	219171	219071
	20.00	10.00	17.00	100.00	43.00	219172	219072
	25.00	12.00	20.00	110.00	39.00	219173	219073
	25.00	14.00	22.00	110.00	46.00	219174	219074
	32.00	16.00	25.00	125.00	45.00	219174	219075
	32.00	18.00	27.00	130.00	54.00	219174	219076
	32.00	20.00	30.00	130.00	62.00	219175	219077

NOTE: Clamping chucks are used in reduction sleeves for clamping tools with cylindrical shanks to DIN 1835-B (Fig. 1). The chucks' design allows the use of standard tools versus ordering special tools (Fig. 2).



m = Metric (mm)