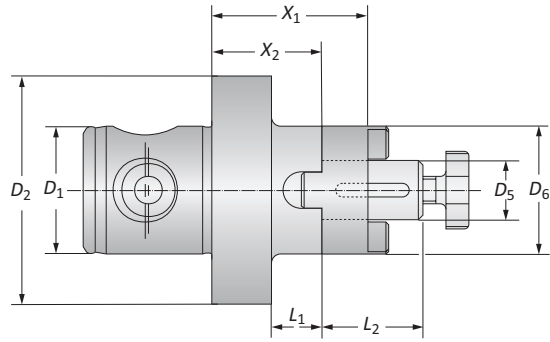


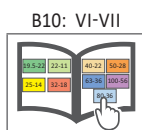
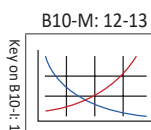
Milling Machine Arbors

For Milling Cutters with Longitudinal or Transverse Drive | Shell Mill Adapter Range: 13.00 mm - 40.00 mm



MVS Connection	Adapter Range	Milling Arbor						Weight	Part No.
		D_2 D_1	D_5	X_1	X_2	L_1	L_2		
m	50 - 28	13.00	34.00	24.00	11.00	22.00	28.00	0.40 (kg)	162002
	50 - 28	16.00	40.00	30.00	17.00	27.00	32.00	0.50 (kg)	162003
	50 - 28	22.00	40.00	28.00	15.00	31.00	40.00	0.60 (kg)	162004
	63 - 36	16.00	40.00	30.00	17.00	27.00	32.00	0.80 (kg)	161002
	63 - 36	22.00	40.00	28.00	15.00	31.00	40.00	0.90 (kg)	161003
	63 - 36	27.00	40.00	28.00	15.00	33.00	48.00	1.10 (kg)	161004
	63 - 36	32.00	40.00	26.00	13.00	38.00	58.00	1.30 (kg)	161005
	80 - 36	40.00	53.00	39.00	-	41.00	70.00*	2.60 (kg)	161006

* \varnothing 70.00 mm with clutch drive ring



m = Metric (mm)