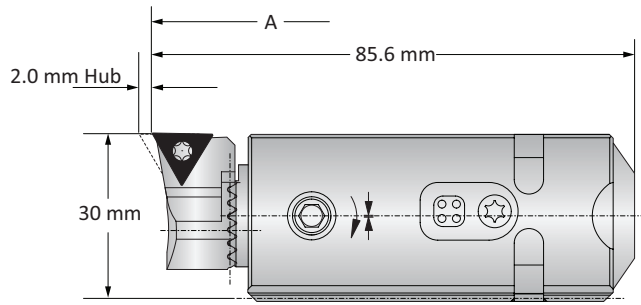


537 Cassettes with 3E^{TECH+}

Diameter Range: 100.00 mm - 205.00 mm




Form 101 / 103



Form 20

Digital 537 Cassettes

	Boring Range	Weight	Insert Form	Part No.		
				Insert Holder	Clamping Piece	Cassette*
	100.00 - 205.00	0.60 (kg)	20	210020	137026	537052
	100.00 - 205.00	0.60 (kg)	101	210063	137026	537052
	100.00 - 205.00	0.60 (kg)	103	210064	137026	537052

*Required serrated tool body sold separately

NOTE: Cassette and insert holder can be used on large diameter serrated slides (B10-G: 8)

NOTE: 3E^{TECH+} digital readout module, charging unit, insert holders, inserts, and clamping pieces **sold separately**

3E^{TECH+} Digital Readout Module

Part No.	Charging Unit*
536015	536016

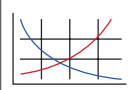
NOTE: WEEE-Reg.-Nr. DE 15820388

*Charging unit sold separately



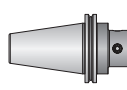
NOTE: 3E^{TECH+} adjustment accuracy of 0.001 mm on diameter

B10-M: 12-13

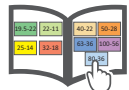


Key on B10-A: 1

B10-F



B10: VI-VII



 = Metric (mm)

IMPORTANT: Max spindle speed refers to maximum possible speed for an individual boring head and is not a recommended parameter. Refer to page B10-M: 12 for recommended application-specific parameters. Factory technical assistance is available for your specific applications through our Application Engineering department.
 email: engineering.eu@alliedmachine.com