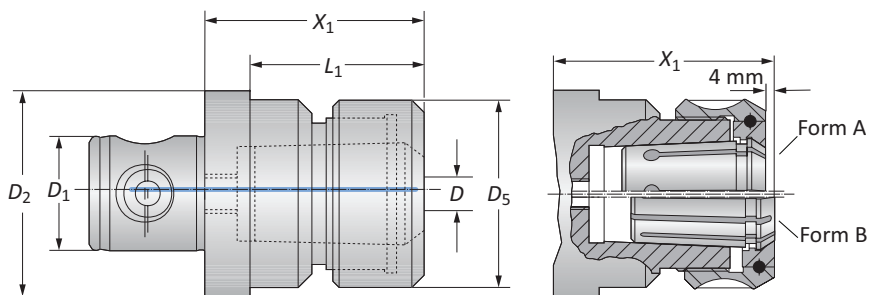


Collet Chucks ISO 10898 (DIN 6388) | ISO 15488 (DIN 6499)

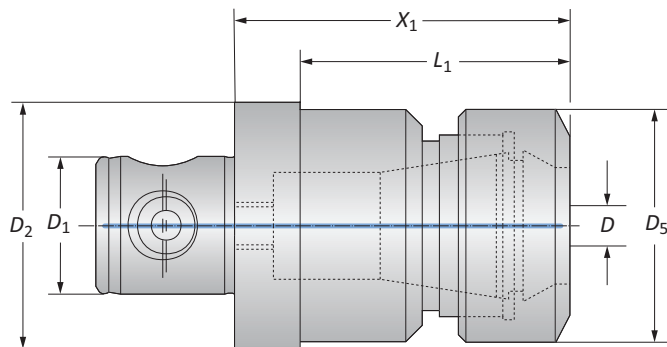
Clamping Diameter Range: 2.00 mm - 32.00 mm



Collet Chucks ISO 10897 (DIN 6388) | Diameter Range: 2.00 mm - 32.00 mm

MVS Connection	Clamping Range	Nominal Size	Collet Chuck			Weight	Part No.
			X_1^*	L_1	D_5		
$D_2 D_1$	D						
40 - 22	2.00 - 16.00	16	64.00	–	43.00	0.50 (kg)	209082
50 - 28	2.00 - 16.00	16	63.00	50.00	43.00	0.90 (kg)	162011
50 - 28	2.00 - 25.00	25	74.00	–	60.00	1.00 (kg)	209083
63 - 36	2.00 - 25.00	25	74.00	–	60.00	1.40 (kg)	161016
63 - 36	4.00 - 32.00	32	89.00	–	72.00	1.80 (kg)	161098

* X_1 Clamping nut with ball-bearing



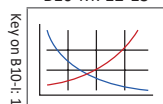
Collet Chucks ISO 15488 (DIN 6499) | Diameter Range: 1.00 mm - 26.00 mm

MVS Connection	Clamping Range	Nominal Size	Collet Chuck			Weight	Part No.
			X_1^*	L_1	D_5		
$D_2 D_1$	D						
32 - 18	1.00 - 10.00	ER 16	54.00	4100	28.00	0.20 (kg)	228020
40 - 22	2.00 - 16.00	ER 25	75.00	–	42.00	0.60 (kg)	228021
50 - 28	2.00 - 16.00	ER 25	75.00	62.00	42.00	0.80 (kg)	228003
50 - 28	2.00 - 20.00	ER 32	76.00	–	50.00	0.80 (kg)	228004
63 - 36	2.00 - 20.00	ER 32	76.00	63.00	50.00	1.20 (kg)	228007
63 - 36	4.00 - 26.00	ER 40	88.00	–	63.00	1.20 (kg)	228006

* X_1 Clamping nut with sliding ring

B10-M: 12-13

B10: VI-VII



Ⓜ = Metric (mm)