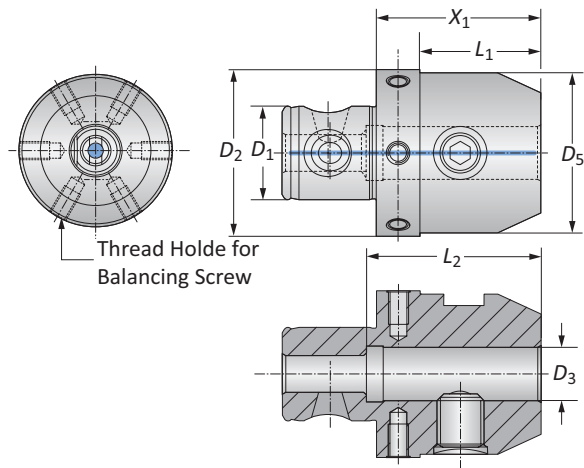


## Adapter Side Lock for Cylindrical Shanks DIN 1835B

Clamping Diameter Range: 6.00 mm - 40.00 mm



MVS Connection	Clamping Range	Adapter Sleeve				Weight	Balancing Screw	Part No.
		$D_2   D_1$	$D_3$	$X_1$	$L_1$			
32 - 18	6.00	36.00	23.00	40.00	25.00	0.20 (kg)	M5 x .8 x 6	228022
32 - 18	8.00	36.00	23.00	40.00	28.00	0.20 (kg)	M5 x .8 x 6	228023
32 - 18	10.00	48.00	-	44.00	35.00	0.30 (kg)	M5 x .8 x 6	228024
40 - 22	12.00	52.00	-	49.00	42.00	0.50 (kg)	M5 x .8 x 8	228025
40 - 22	14.00	54.00	-	49.00	44.00	0.60 (kg)	M5 x .8 x 8	228026
50 - 28	6.00	36.00	23.00	40.00	25.00	0.40 (kg)	M6 x 1 x 10	162015
50 - 28	8.00	36.00	23.00	40.00	28.00	0.40 (kg)	M6 x 1 x 10	162016
50 - 28	10.00	44.00	31.00	44.00	35.00	0.50 (kg)	M6 x 1 x 10	162017
50 - 28	12.00	44.00	31.00	49.00	42.00	0.50 (kg)	M6 x 1 x 10	162018
50 - 28	16.00	49.00	36.00	52.00	48.00	1.00 (kg)	M6 x 1 x 10	162019
50 - 28	18.00	49.00	36.00	52.00	48.00	1.00 (kg)	M6 x 1 x 10	228014
50 - 28	20.00	60.00	-	54.00	52.00	1.20 (kg)	M6 x 1 x 10	162020
63 - 36	20.00	49.00	36.00	54.00	52.00	1.10 (kg)	M6 x 1 x 10	161024
63 - 36	25.00	75.00	-	59.00	63.00	1.90 (kg)	M6 x 1 x 15	161026
63 - 36	32.00	75.00	-	63.00	72.00	2.20 (kg)	M6 x 1 x 15	161027
80 - 36	40.00	85.00	-	73.00	80.00	2.50 (kg)	M6 x 1 x 15	161028

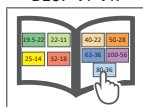
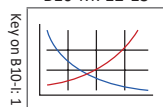
NOTE: Balanced 10 gmm/kg

NOTE: When using a ball pressure screw instead of a thread pin, it's similar to DIN 1835E, without axial adjustment.

See ball pressure screws on page B10-I: 9.

B10-M: 12-13

B10: VI-VII



Ⓜ = Metric (mm)