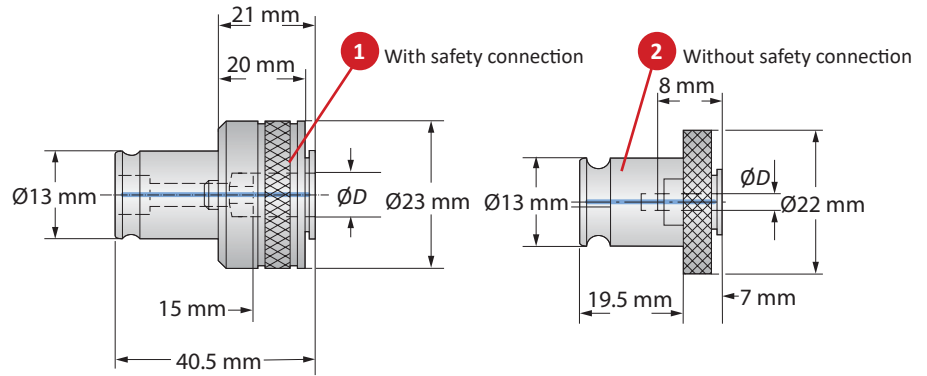
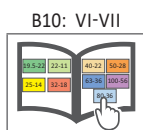
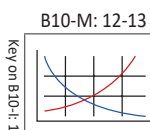


## Quick Change Adapters

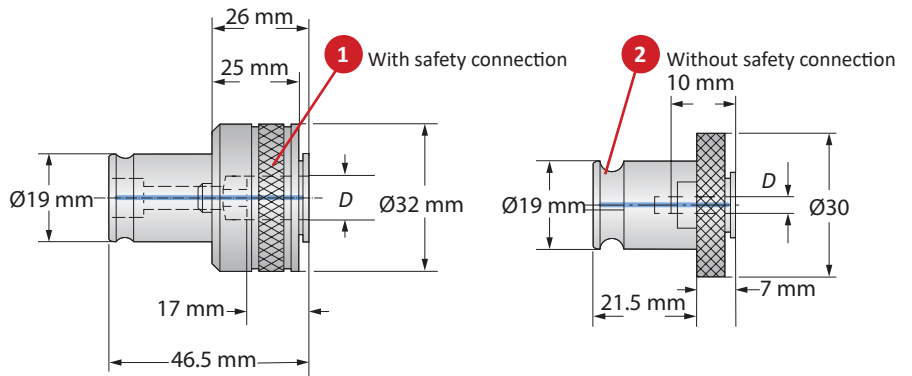


Shank Dimensions		Quick Change Adapter								Part No.	
Nominal Size	D x Square Shank	DIN 352	DIN 353	DIN 371	DIN 374	DIN 376	DIN 2182	DIN 2183	Torque Setting	1	2
0	2.10 x 2.50	M 1	-	M 1	-	M 3.5	1/16"	-	1.5 - 2	233070	K24358
0	2.10 x 2.80	M 2	-	M 2	M 4	M 4	3/32"	5/32"	2 - 3	233071	K24276
0	2.70 x 3.50	M 3	-	M 3	M 5	M 5	1/8"	-	4 - 6	233072	K24277
0	3.00 x 4.00	M 3.5	-	M 3.5	-	-	-	-	1.5 - 2	233073	K24278
0	3.40 x 4.50	M 4	-	M 4	M 6	M 6	5/32"	1/4"	6 - 9	233074	K24279
0	4.90 x 6.00	M 8	-	-	M 8	M 8	-	-	16 - 21	233075	K24280
0	5.50 x 7.00	M 10	G 1/8"	-	M 10	M 10	1/4"	3/8"	27 - 32	233076	K24281
0	6.20 x 8.00	-	-	M 8	-	-	5/16"	7/16"	16 - 21	233077	K24391

**NOTE:** Quick change adapters are typically set to the torque value shown in the table.

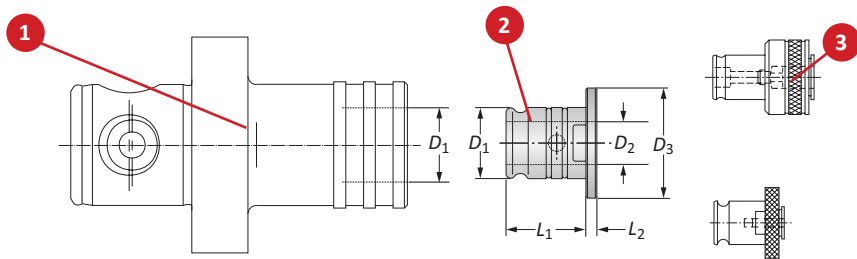


## Quick Change Adapters



### Quick Change Adapters

Shank Dimensions		Quick Change Adapter								Part No.	
Nominal Size	D x Square Shank	DIN 352	DIN 353	DIN 371	DIN 374	DIN 376	DIN 2182	DIN 2183	Torque Setting	1	2
1	2.10 x 2.80	M 2	-	M 2.8	M 4	M 4	3/32"	5/32"	2 - 3	K17847	K23259
1	2.70 x 3.50	M 3	-	M 3.5	M 5	M 5	1/8"	-	4 - 6	233001	K18455
1	3.00 x 4.00	M 3.5	-	M 3.5	-	-	-	-	1.5 - 2	233002	K22439
1	3.40 x 4.50	M 4	-	M 4	M 6	M 6	5/32"	1/4"	6 - 9	233003	K16414
1	4.90 x 6.00	M 8	-	-	M 8	M 8	-	-	16 - 21	233004	K16415
1	5.50 x 7.00	M 10	-	-	M 10	M 10	1/4"	3/8"	27 - 32	233005	K16418
1	6.20 x 8.00	-	G 1/8"	M 8	-	-	5/16"	7/16"	16 - 21	233006	K16416
1	7.00 x 9.00	M 12	-	-	M 12	M 12	3/8"	1/2"	37 - 44	233007	K18454
1	8.00 x 10.00	-	-	M 10	-	-	-	-	27 - 32	233008	K16417
1	9.00 x 11.00	M 14	G 1/4"	-	M 14	M 14	-	9/16"	50 - 53	233009	K22440

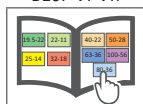
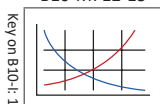


### Reducers for Quick Change Adapters

1 Tapping Chuck		2 Quick Change Adapter		3. Reducer					Weight	Part No.
Nominal Size	D <sub>1</sub>	Nominal Size	D <sub>1</sub>	D <sub>1</sub>	D <sub>2</sub>	D <sub>3</sub>	L <sub>1</sub>	L <sub>2</sub>		
1	19.00	0	13.00	19.00	13.00	30.00	21.50	4.00	0.12 (kg)	161038
2	31.00	1	19.00	31.00	19.00	48.00	35.00	5.00	0.48 (kg)	162094

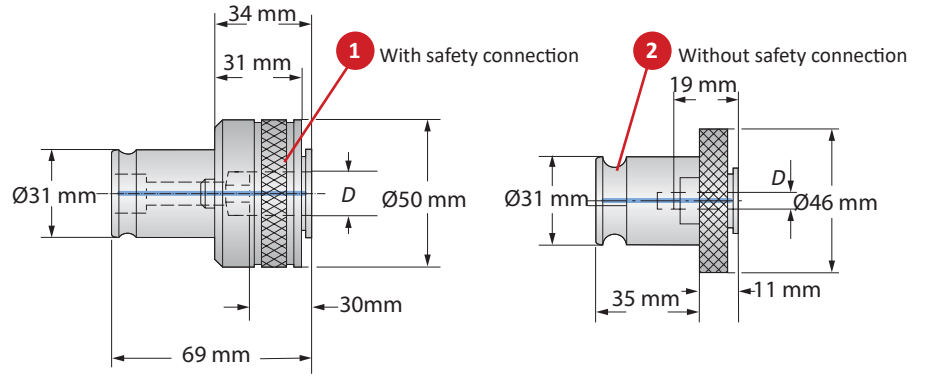
B10-M: 12-13

B10: VI-VII



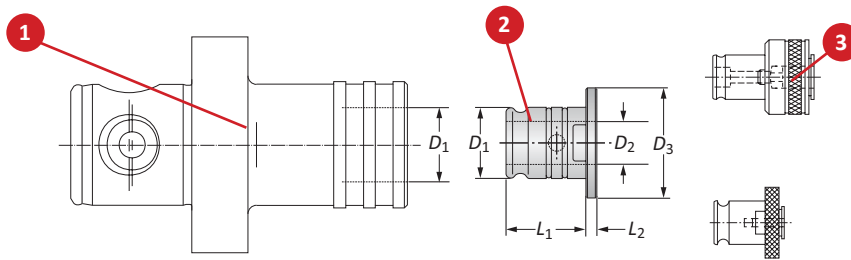
A  
B  
C  
D  
E  
F  
G  
H  
I  
J  
K  
L  
M  
INDEX

## Quick Change Adapters



### Quick Change Adapters

Shank Dimensions		Quick Change Adapter								Part No.		
Nominal Size	D x Square Shank	DIN 352	DIN 353	DIN 371	DIN 374	DIN 376	DIN 2182	DIN 2183	Torque Setting	1	2	
m	2	5.50 x 7.00	M 10	G 1/8"	-	M 10	M 10	1/4"	3/8"	24 - 32	233020	K15282
	2	6.20 x 8.00	-	-	M 8	-	-	5/16"	7/16"	16 - 21	233021	K15283
	2	7.00 x 9.00	M 12	-	-	M 12	M 12	3/8"	1/2"	37 - 44	233022	K15284
	2	8.00 x 10.00	-	-	M 10	-	-	-	-	27 - 32	233023	K18456
	2	9.00 x 11.00	M 14	G 1/4"	-	M 14	M 14	-	9/16"	50 - 53	233024	K16419
	2	9.00 x 12.00	M 16	G 3/8"	-	M 16	M 16	-	5/8"	55 - 58	233025	K15285
	2	11.00 x 14.00	M 18	-	-	M 18	M 18	-	1 1/16"	85 - 90	233026	K16420
	2	12.00 x 16.00	M 20	G 1/2"	-	M 20	M 20	-	1 3/16"	110 - 115	233027	K15286
	2	14.50 x 18.00	M 24	-	-	M 24	M 24	-	1 5/16"	110 - 115	233028	K18457



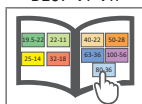
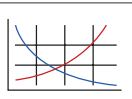
### Reducers for Quick Change Adapters

1 Tapping Chuck		2 Quick Change Adapter		3 Reducer					Weight	Part No.	
Nominal Size	D <sub>1</sub>	Nominal Size	D <sub>1</sub>	D <sub>1</sub>	D <sub>2</sub>	D <sub>3</sub>	L <sub>1</sub>	L <sub>2</sub>			
m	1	19.00	0	13.00	19.00	13.00	30.00	21.50	4.00	0.12 (kg)	161038
	2	31.00	1	19.00	31.00	19.00	48.00	35.00	5.00	0.48 (kg)	162094

B10-M: 12-13

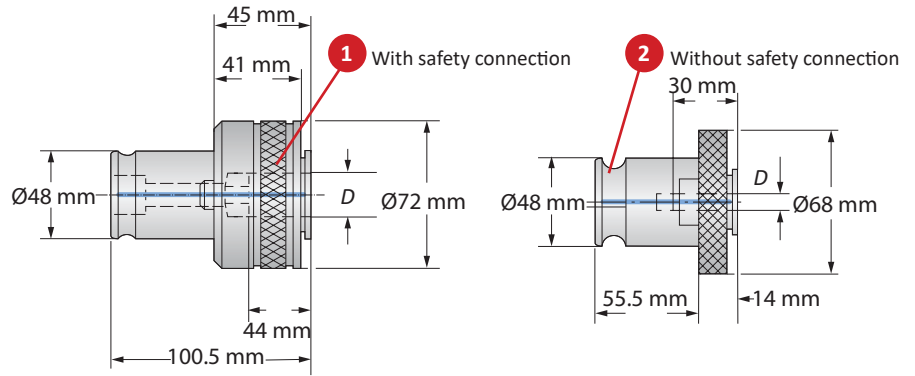
B10: VI-VII

Key on B10-I-1



m = Metric (mm)

## Quick Change Adapters



Shank Dimensions		Quick Change Adapters								Part No.	
Nominal Size	D x Square Shank	DIN 352	DIN 353	DIN 371	DIN 374	DIN 376	DIN 2182	DIN 2183	Torque Setting	1	2
3	9.00 x 11.00	M 14	G 1/4"	-	M 14	M 14	-	9/16"	50 - 53	233040	K22434
3	9.00 x 12.00	M 16	G 3/8"	-	M 16	M 16	-	5/8"	55 - 58	233041	K22435
3	11.00 x 14.00	M 18	-	-	M 18	M 18	-	11/16"	85 - 90	233042	K22436
3	12.00 x 16.00	M 20	G 1/2"	-	M 20	M 20	-	13/16"	100 - 106	233043	K22437
<b>m</b>	14.50 x 18.00	M 24	-	-	M 24	M 24	-	15/16"	140 - 150	233044	K16421
3	16.50 x 20.00	M 27	G 3/4"	-	M 27	M 27	-	1"	150 - 160	233045	K16422
3	18.00 x 22.00	M 30	G 7/8"	-	M 30	M 30	-	1 1/8"	240 - 250	233046	K16423
3	22.00 x 25.00	M 33	G 1"	-	M 33	M 33	-	1 1/4"	260 - 270	233047	K16424
3	22.00 x 28.00	M 36	G 1 1/8"	-	M 36	M 36	-	1 3/8"	260 - 270	233048	K22438

