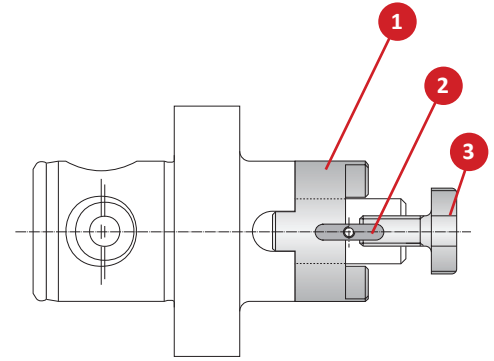


## Accessories for Milling Machine Arbors

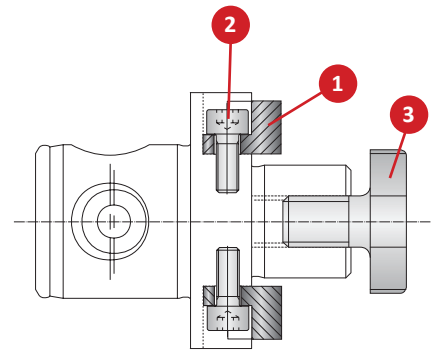
### Accessories for Milling Machine Arbors

Shell-Mill Adapter	Part No.		
	1 Clutch Drive Ring	2 Axial Drive Key	3 Retaining Screw
13	115708	115709	115707
16	115696	215608	115697
22	115341	215609	115345
27	115342	215610	115346
32	115343	215611	115347
40	115344	215612	115348



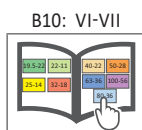
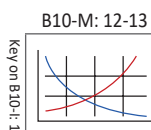
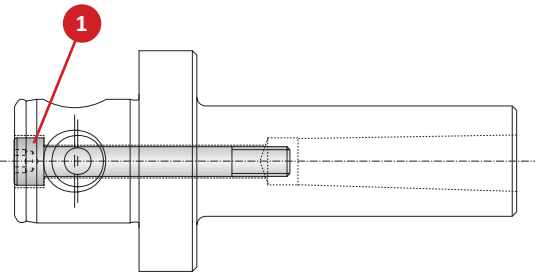
### Accessories for Milling Machine Arbors

Shell-Mill Adapter	Part No.		
	1 Drive Key	2 Cap Screw	3 Retaining Screw
16	215701	115566	115697
22	215702	108109	115345
27	215703	109109	115346
32	215704	115147	115347
40	215705	116152	115348
60	115643	115237	-



### Accessories for Holding Arbors

Adapter Sleeves	Part No.	
	1 Cap Screw	Service Key
209022	115929	s5
209023	115930	s7
209024	115932	s8
209025	115933	s5
209026	115169	s8
209027	115934	s10
209028	115936	s12



 = Metric (mm)