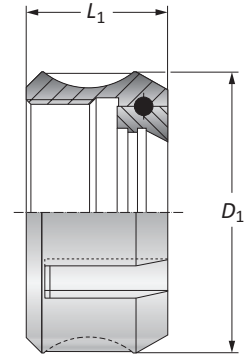


Accessories for Collet Chucks: ISO 10897 (DIN 6388)

Clamping Nuts

Clamping Nuts: DIN 6388 / ISO 10897 - 1:10

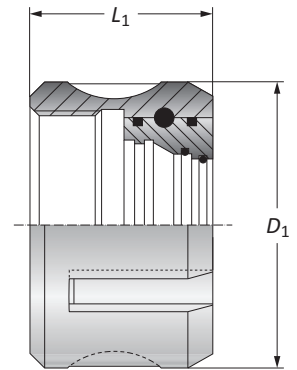
		Clamping Nut				
Nominal Size	D_1	L_1	Clamping Range	Torque	Part No.	
m	16	43.00	24.00	2.00 - 16.00	100 Nm	068048
	25	60.00	30.00	2.00 - 25.00	180 Nm	068052
	32	72.00	33.50	4.00 - 32.00	220 Nm	161099



Clamping Nuts for Sealing Discs: DIN 6388 / ISO 10897 - 1:10

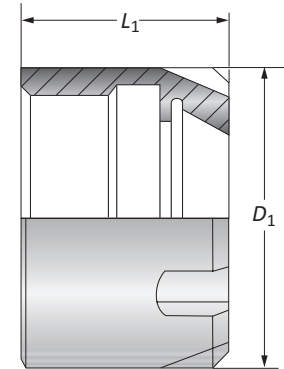
		Clamping Nut				
Nominal Size	D_1	L_1	Clamping Range	Torque	Part No.	
m	16	43.00	31.50	2.00 - 16.00	100 Nm	275001
	25	60.00	38.00	2.00 - 25.00	180 Nm	275003
	32	72.00	42.00	4.00 - 32.00	220 Nm	276001

NOTE: with ball-bearing, for use with sealing discs



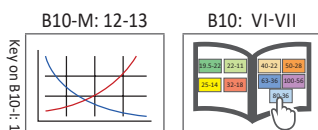
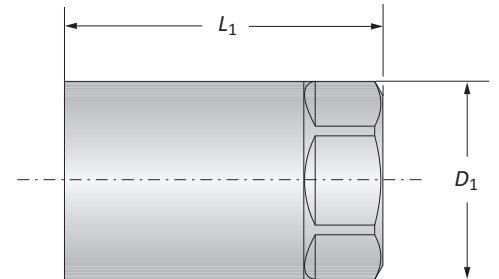
Mini Clamping Nuts

		Clamping Nut				
Nominal Size	D_1	L_1	Clamping Range	Torque	Part No.	
m	ER 08	12.00	10.80	1.00 - 4.00	8 Nm	415357
	ER 11	16.00	12.00	1.00 - 7.00	16 Nm	415358
	ER 16	22.00	18.00	1.00 - 10.00	25 Nm	415359



Clamping Nuts for Erickson Collet Chuck System

		Clamping Nut			
Nominal Size	D_1	L_1	Clamping Range	Part No.	
m	6	14.00	28.00	1.00 - 6.50	162095
	10	21.00	36.00	1.00 - 10.00	162093



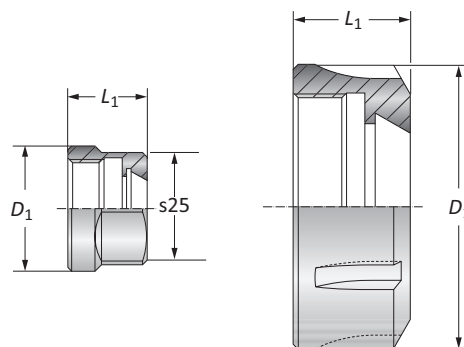
m = Metric (mm)

Accessories for Collet Chucks: ISO 15488 (DIN 6499)

Clamping Nuts

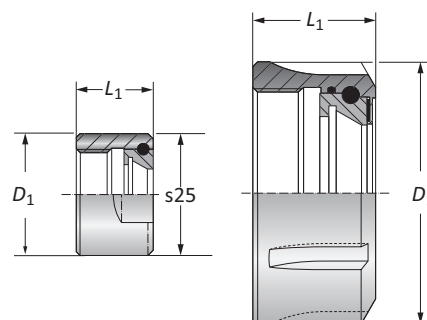
One Piece Clamping Nuts: DIN 6499 / ISO 15488 - 8°

		Clamping Nut				
Nominal Size	D_1	L_1	Clamping Range	Torque	Part No.	
m	ER 16	28.00	17.50	1.00 - 10.00	60 Nm	215922
	ER 25	42.00	20.00	2.00 - 16.00	100 Nm	215924
	ER 32	50.00	22.50	2.00 - 20.00	140 Nm	215925
	ER 40	63.00	25.50	4.00 - 26.00	180 Nm	215926



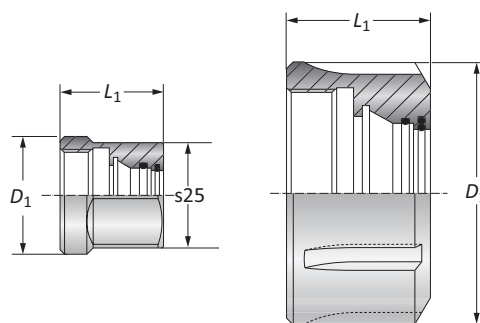
Clamping Nuts with Sliding Ring: DIN 6499 / ISO 15488 - 8°

		Clamping Nut				
Nominal Size	D_1	L_1	Clamping Range	Torque	Part No.	
m	ER 16	28.00	20.30	1.00 - 10.00	60 Nm	315015
	ER 25	42.00	22.40	2.00 - 16.00	100 Nm	315016
	ER 32	50.00	25.00	2.00 - 20.00	140 Nm	315017
	ER 40	63.00	28.30	4.00 - 26.00	180 Nm	315018



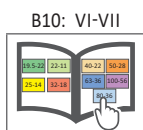
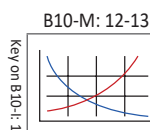
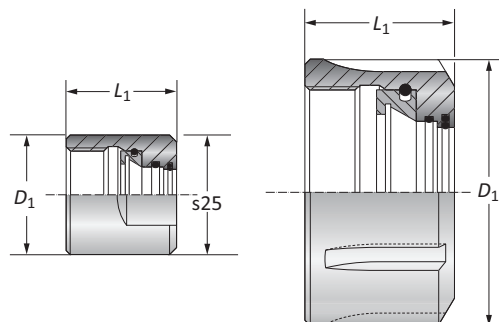
One Piece Clamping Nuts for use with Sealing Disks: DIN 6499 / ISO 15488 - 8°

		Clamping Nut				
Nominal Size	D_1	L_1	Clamping Range	Torque	Part No.	
m	ER 16	28.00	25.00	1.00 - 10.00	60 Nm	277001
	ER 25	42.00	27.50	2.00 - 16.00	100 Nm	277005
	ER 32	50.00	30.50	2.00 - 20.00	140 Nm	277007
	ER 40	63.00	34.00	4.00 - 26.00	180 Nm	278001



Clamping Nuts with Sliding Ring for use with Sealing Disks: DIN 6499 / ISO 15488 - 8°

		Clamping Nuts: ISO 15488 (DIN 6499)				
Nominal Size	D_1	L_1	Clamping Range	Torque	Part No.	
m	ER 16	28.00	25.00	1.00 - 10.00	60 Nm	277002
	ER 25	42.00	28.50	2.00 - 16.00	100 Nm	277006
	ER 32	50.00	31.50	2.00 - 20.00	140 Nm	277008
	ER 40	63.00	35.00	4.00 - 26.00	180 Nm	278002



m = Metric (mm)